



Technical Manual for the Strobe - SM87 HXB

Please note that every care has been taken to ensure the accuracy of our technical manual. We do not, however, accept responsibility for damage, loss or expense resulting from any error or omission. We reserve the right to make alterations in line with technical advances and industry standards.

1. INTRODUCTION

These strobe units have been designed for use in harsh environmental conditions.

2. INSTALLATION

General

When installing and operating explosion-protected electrical equipment, requirements for selection, installation and operation should be referred to eg. IEC 60079-14 worldwide and the 'National Electrical Code' in North America. Additional national and/or local requirements may apply.

Ensure that all nuts, bolts and fixings are secure.

Ensure that only the correct UL listed stopping plugs are used to blank off unused gland entry points and that the NEMA/IP rating of the unit is maintained.

The strobe is mounted via 4 x Ø 0.354" (Ø 9mm) fixing holes in the base.

The fixing holes have been designed to accept an M8 screw or bolt. MEDC recommend the use of stainless steel screws.

Cable Termination

CAUTION: Before removing the cover assembly, ensure that the power to the unit is isolated.

Unscrew and remove the 4 off screws holding the cover assembly to the base. Keep in a safe, accessible location.

Twist the cover assembly gently clockwise and anti-clockwise, whilst pulling it away from the base. Remove to gain access to the interior of the base.

Cable termination should be in accordance with specifications applying to the application. MEDC recommend that all cables and cores should be fully identified.

Ensure that only correct UL Listed cable glands are used and that the assembly is shrouded and correctly earthed.

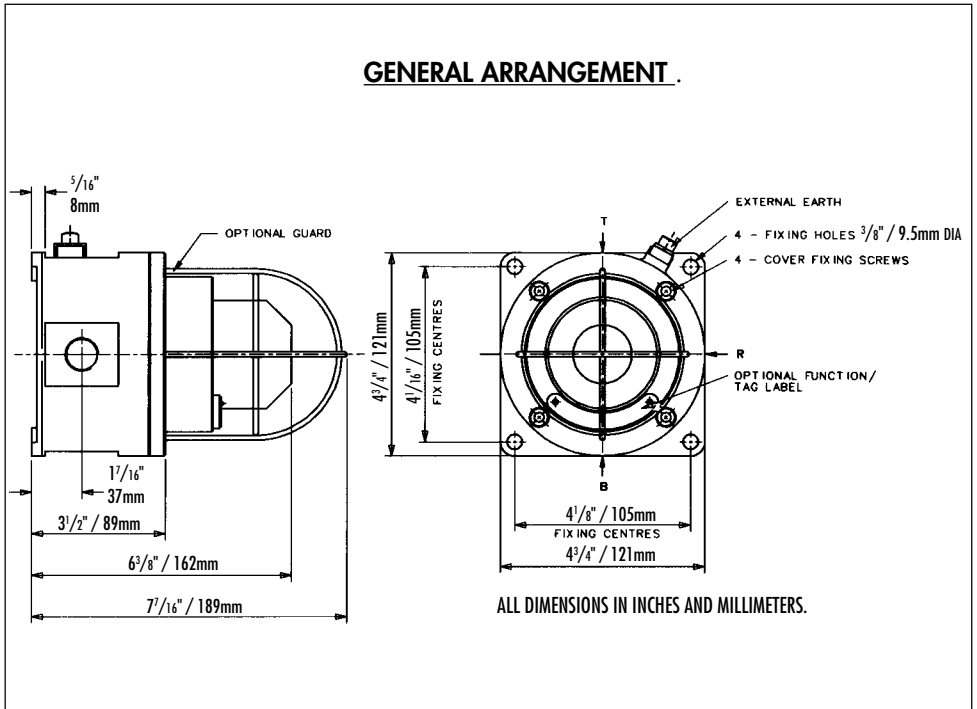
All cable glands should be of an equivalent NEMA/IP rating to that of the strobe and integrated with the unit such that this rating is maintained.

The internal earth terminal (where fitted), must be used for the equipment grounding connection and the external terminal is for a supplementary bonding connection where local codes or authorities permit or require such a connection.

Once termination is complete, carefully push the cover assembly back onto the base, avoiding damage to the mating surfaces. Replace the 4 off screws into the holes in the cover assembly and tighten evenly, to ensure maintenance of the required gap between the cover and base.

3. OPERATION

The unit is initiated directly from the power source.



4. MAINTENANCE

During the working life of the strobe, little or no maintenance is required. However, if abnormal or unusual environmental conditions occur due to plant damage or accident etc., then visual inspection is recommended.

If a fault should occur, it is recommended that the unit be returned to MEDC for repair. All parts are replaceable.

If you have acquired a significant quantity of units, it is recommended that spares are also made available. Please discuss your requirements with the Technical Sales Engineers at MEDC.

