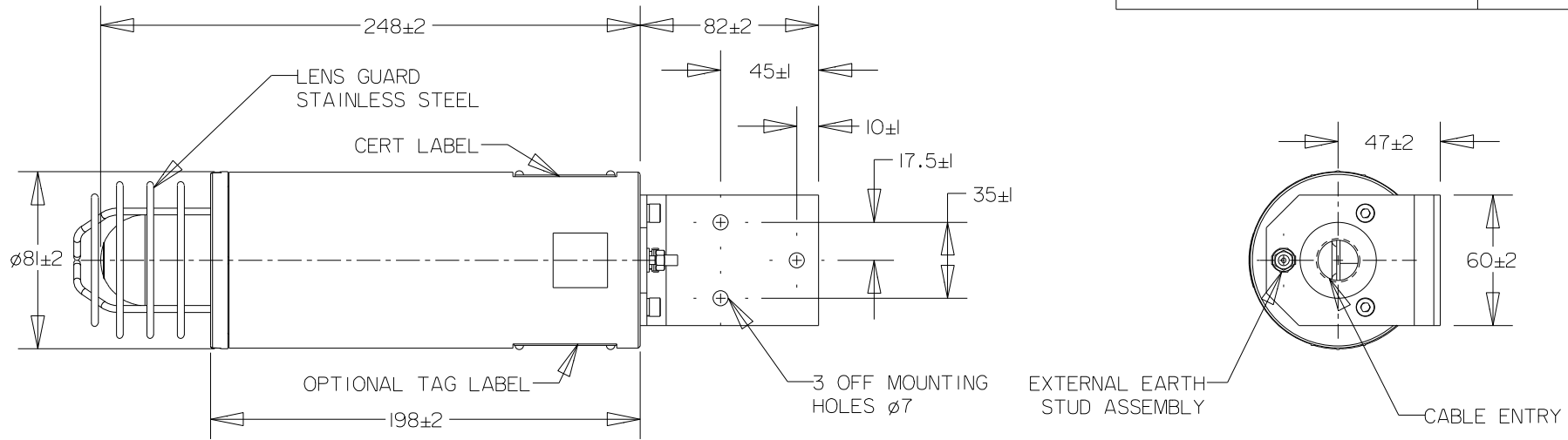
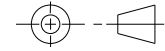


DO NOT SCALE



1. TYPE XB9 IIC XENON BEACON

2. CERTIFICATION No. - BAS 00ATEX203I EExd IIC T5 & T6
 T5 (T amb. -55°C to $+55^{\circ}\text{C}$)
 T6 (T amb. -55°C to $+40^{\circ}\text{C}$)

3. WEIGHT :- 1.6 ± 0.3 KG

4. ENCLOSURE & COVER MATERIAL - GLASS REINFORCED POLYESTER

5. OPTIONAL DUTY TAG/LABEL

6. TERMINALS SUITABLE FOR UP TO 3 WAY MAX 2.5mm^2

7. CABLE ENTRY - EITHER 1 OFF M20, PG13.5 OR
 3 METRE PRE - TERMINATED CABLE

8. HYLOMAR PL32 SEALANT TO BE APPLIED TO ALL CERTIFIED BLANKING PLUGS



MEDC Ltd, Colliery Road, Pinxton
 Nottingham NG16 6JF, U.K.
 Tel: +44 (0)1773 864100
 Fax: +44 (0)1773 582800
 e-mail: info@medc.com web: www.medc.com

DESIGNERS & MANUFACTURERS
 OF ELECTRICAL & ELECTRONIC
 EQUIPMENT & SYSTEMS FOR
 HAZARDOUS AREAS

ISSUES	B. 05-02-07 PF	ALL DIMENSIONS ARE IN MILLIMETRES UNLESS OTHERWISE STATED	THIS DRAWING IS CONFIDENTIAL AND IS THE PROPERTY OF MEDC AND MUST NOT BE REPRODUCED EITHER WHOLLY OR PARTLY. ALL RIGHTS IN RESPECT OF PATENTS, DESIGNS AND COPYRIGHT ARE RESERVED	DRAWN BY: G. LAMB	DATE: 16.2.00	TITLE GENERAL ARRANGEMENT XB9 IIC ATEX BEACON
		REMOVE ALL BURRS AND SHARP CORNERS		CHECKED BY: M. SELDEN	DATE: 18.2.00	
		MACHINE SYMBOLS THUS <input checked="" type="checkbox"/>		APPROVED BY: M. SELDEN	DATE: 18.2.00	
				SCALE: NTS	SIZE: A4	DRG No. 227-132