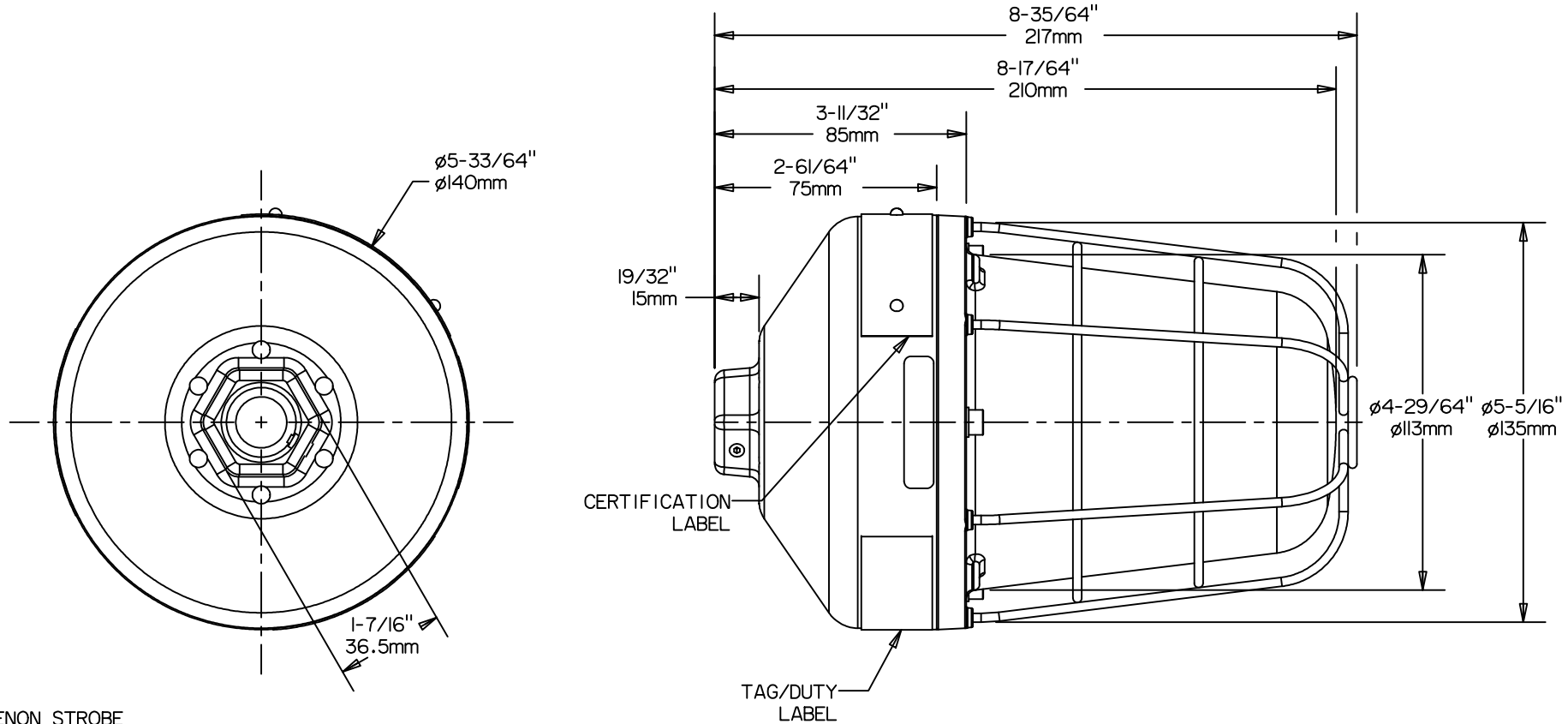
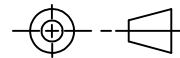


DO NOT SCALE



NOTES:

1. TYPE XB16 XENON STROBE
2. UL LISTING NUMBER E251185, CLASS 1, DIV. 2, GROUPS A-D
AMBIENT TEMPERATURE:- -67°F TO +158°F
3. WEIGHT:- 2.2lbs APPROX.
4. ENCLOSURE MATERIAL:- GLASS REINFORCED POLYESTER
5. LENS MATERIAL:- POLYCARBONATE
6. OPTIONAL TAG/DUTY LABEL, LETTER SIZE 3/16" MAX
7. TERMINALS ARE SUITABLE FOR UP TO 8-WAY, 14AWG MAX.
8. CABLE ENTRIES:- 1 x 1.2" NPT MAX.
9. GENERAL TOLERANCE:- 3/32" UOS



MEDC Ltd, Colliery Road, Pinxton
Nottingham NG16 6JF, U.K.
Tel: +44 (0)1773 864100
Fax: +44 (0)1773 582800
e-mail: info@medc.com web: www.medc.com

DESIGNERS & MANUFACTURERS
OF ELECTRICAL & ELECTRONIC
EQUIPMENT & SYSTEMS FOR
HAZARDOUS AREAS

ISSUES

ALL DIMENSIONS ARE
IN MILLIMETRES UNLESS
OTHERWISE STATED

REMOVE ALL BURRS
AND SHARP CORNERS

MACHINE
SYMBOLS THUS

THIS DRAWING IS CONFIDENTIAL
AND IS THE PROPERTY OF MEDC
AND MUST NOT BE REPRODUCED
EITHER WHOLLY OR PARTLY.
ALL RIGHTS IN RESPECT OF
PATENTS, DESIGNS AND
COPYRIGHT ARE RESERVED

DRAWN BY:	DATE:
P.FISHWICK	24/06/03
CHECKED BY:	DATE:
M.SLACK	24/06/03
APPROVED BY:	DATE:
P.FISHWICK	24/06/03
SCALE:	SIZE:
N.T.S	A4

TITLE	
XB16 UL CUSTOMER GA	
DRG No.	ISSUE
296-117	A