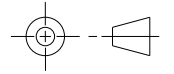


276-123

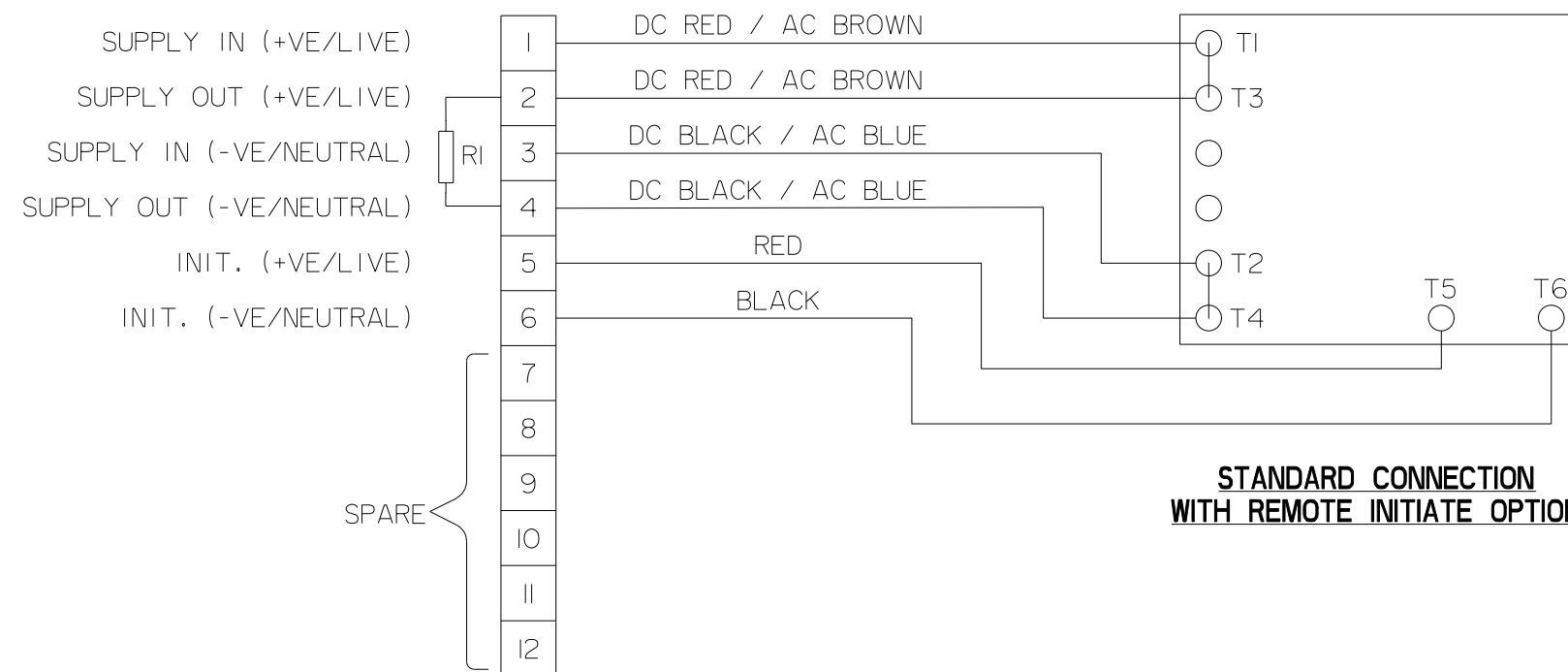
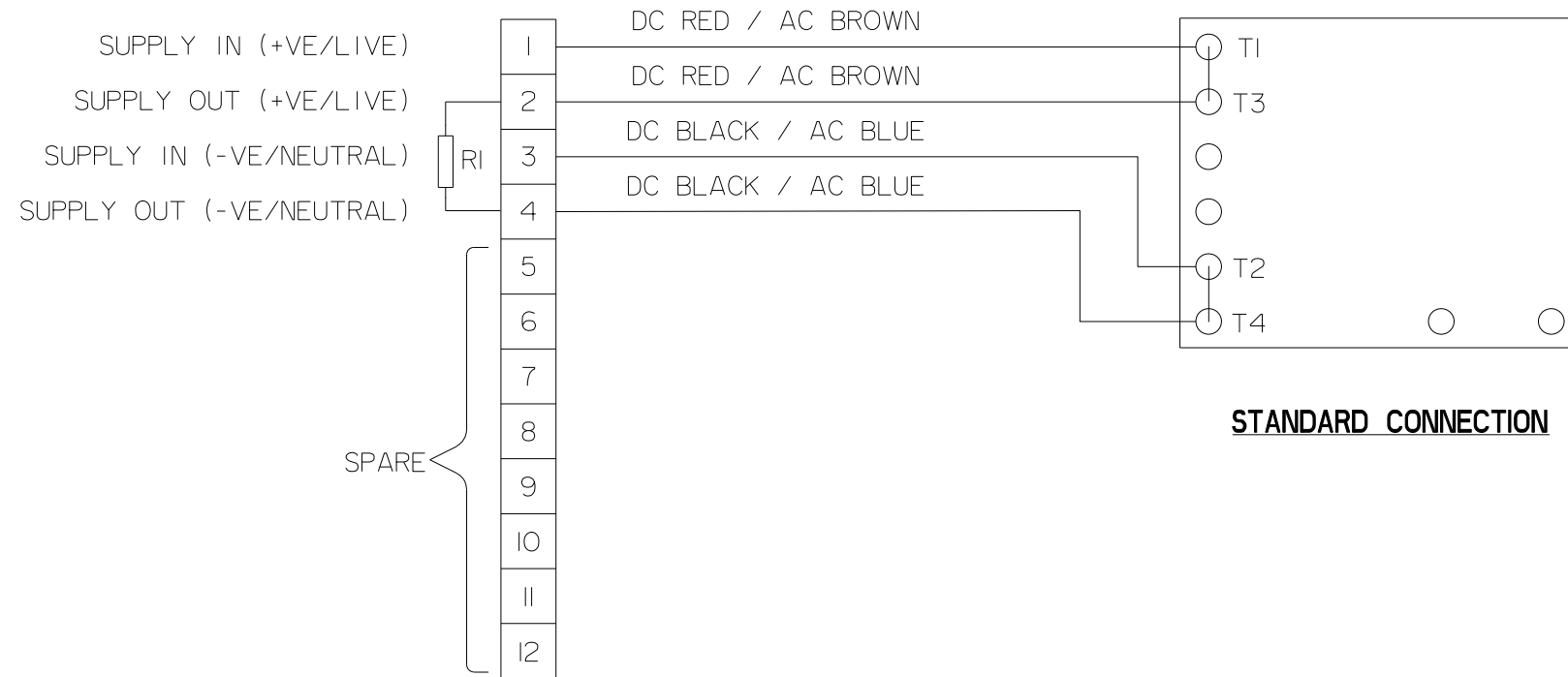
DO NOT SCALE



**CURRENT  
PRODUCTION COPY**

CELL BOOK

E



GENERAL NOTE:

1. EARTH TO BE CONNECTED TO STUD IN HOUSING
2. RI - OPTIONAL EOL RESISTOR. (DC VERSION ONLY)

**MEDC** Cooper MEDC Ltd, Unit B, Sutton Parkway, Oddicroft Lane, Sutton-in-Ashfield, Nottinghamshire, NG17 5FB, U.K.  
Tel: +44 (0) 1623 444400 web: www.coopermedc.com

DESIGNERS & MANUFACTURERS OF ELECTRICAL & ELECTRONIC EQUIPMENT & SYSTEMS FOR HAZARDOUS AREAS

4

ISSUES

B. 12/10/04 PF  
C. 27/07/05 PF  
D. 08-12-09 DW  
E. 26-02-13 DC  
F. 06-01-15. DW

GENERAL TOLERANCES UOS  
±0.25  
±0.5°  
3.2

ALL DIMENSIONS ARE IN MILLIMETRES UNLESS OTHERWISE STATED

REMOVE ALL BURRS AND SHARP CORNERS

MACHINE SYMBOLS THUS

THIS DRAWING IS CONFIDENTIAL AND IS THE PROPERTY OF MEDC AND MUST NOT BE REPRODUCED EITHER WHOLLY OR PARTLY. ALL RIGHTS IN RESPECT OF PATENTS, DESIGNS AND COPYRIGHT ARE RESERVED.

DRAWN BY: P.FISHWICK	DATE: 28/05/02	TITLE  XB15 ATEX / IECEx WIRING DIAGRAM	SHT   OF 
CHECKED BY: D.HAGIN	DATE: 28/05/02		
APPROVED BY: P.FISHWICK	DATE: 28/05/02		
SCALE: N.T.S	SIZE: A3	DRG No. 276-123	ISSUE F