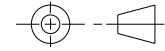


DO NOT SCALE



1. TYPE XB12 XENON BEACON

2. CERTIFICATION No. BAS99ATEX2196

II 2 G EEx d IIB T4 (Tamb. -55°C TO +55°C)  
T5 (Tamb. -55°C TO +40°C)

3. WEIGHT:- 7.0Kg ±0.3

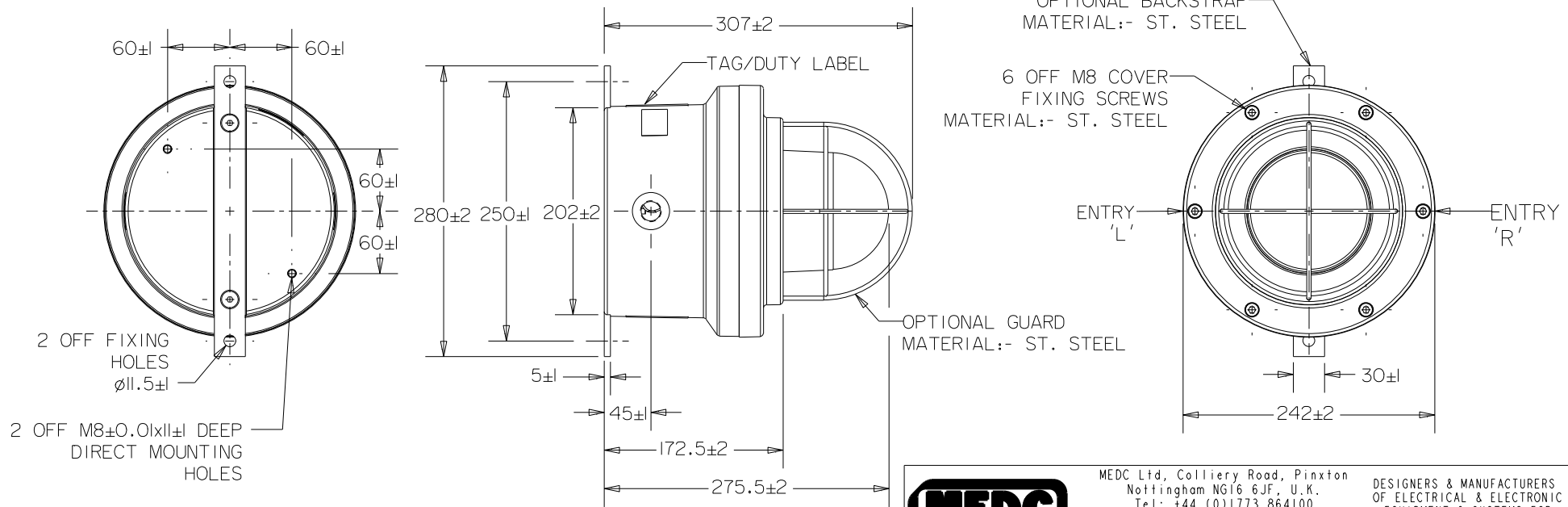
4. ENCLOSURE & COVER MATERIAL:- GLASS REINFORCED POLYESTER

5. OPTIONAL TAG/DUTY LABEL, LETTER SIZE 5mm MAX.

6. TERMINALS SUITABLE FOR UP TO 6-WAY 690V 41A 6.0mm<sup>2</sup> MAX

7. CABLE ENTRIES 2 x M20 x 1.5p MAX @ POSITIONS 'L' AND 'R'

8. HYLOMAR PL32 SEALANT APPLIED TO ALL CERTIFIED BLANKING PLUGS



MEDC Ltd, Colliery Road, Pinxton  
Nottingham NG16 6JF, U.K.  
Tel: +44 (0)1773 864100  
Fax: +44 (0)1773 582800  
e-mail: info@medc.com web: www.medc.com

DESIGNERS & MANUFACTURERS  
OF ELECTRICAL & ELECTRONIC  
EQUIPMENT & SYSTEMS FOR  
HAZARDOUS AREAS

ISSUES	B. 09/10/02 PF	ALL DIMENSIONS ARE IN MILLIMETRES UNLESS OTHERWISE STATED	THIS DRAWING IS CONFIDENTIAL AND IS THE PROPERTY OF MEDC AND MUST NOT BE REPRODUCED EITHER WHOLLY OR PARTLY. ALL RIGHTS IN RESPECT OF PATENTS, DESIGNS AND COPYRIGHT ARE RESERVED	DRAWN BY: M.SELDEN	DATE: 22/11/99	TITLE  XB12 ATEX CERTIFICATION CUSTOMER GA	
		REMOVE ALL BURRS AND SHARP CORNERS		CHECKED BY: G.H.	DATE: 22/11/99		
		MACHINE SYMBOLS THUS		APPROVED BY: M.SELDEN	DATE: 22/11/99		
				SCALE: N.T.S.	SIZE: A4	DRG No. 226-139	ISSUE B