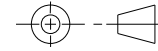
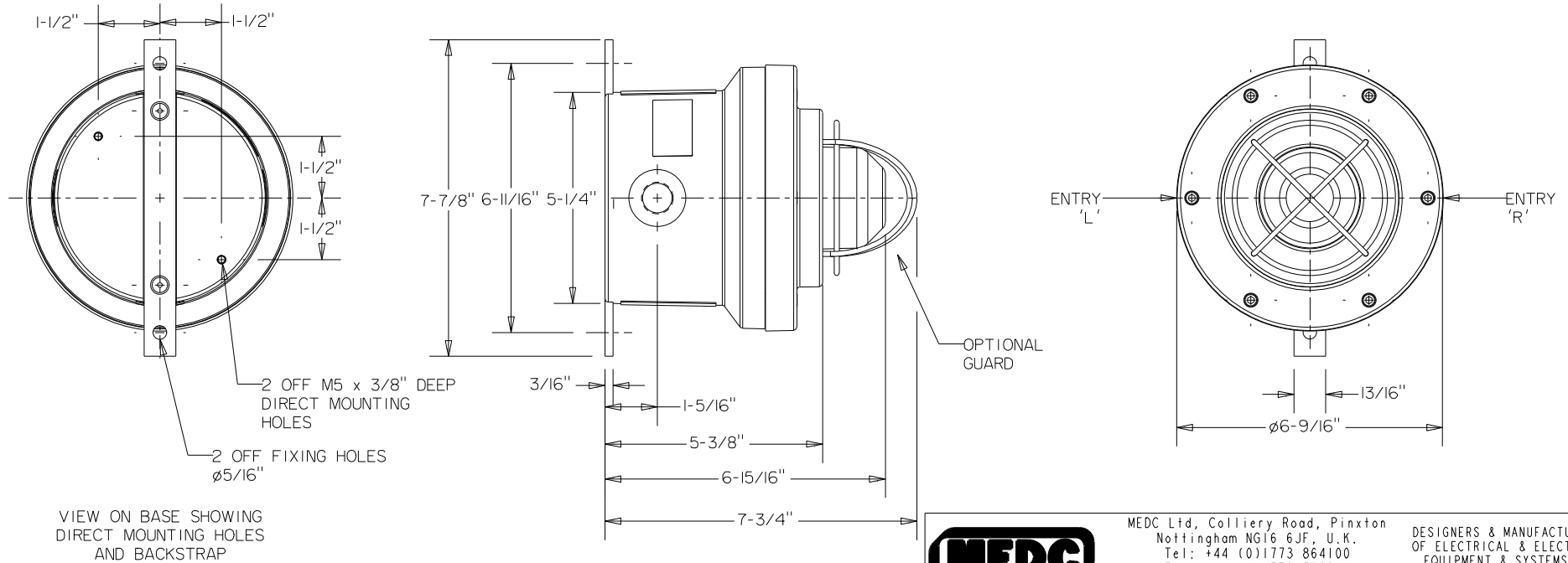


DO NOT SCALE



1. TYPE: XBII
2. UL LISTING NO. E187894, CLASS I, DIV. 2, GROUPS C & D  
AMBIENT TEMP. -67°F TO +158°F
3. WEIGHT:- 5.5LBS APPROX.
4. MATERIAL:- BODY & COVER - GLASS REINFORCED POLYESTER  
LENS - GLASS
5. IDENTITY/TAG LABEL LETTER SIZE 3/16" MAX
6. TERMINALS SUITABLE FOR UP TO 14AWG

7. 2 OFF 1/2" NTP CABLE ENTRIES
8. UL LISTED SEALANT TO BE APPLIED TO ALL GLANDS  
& BLANKING PLUGS
9. GENERAL TOLERANCE  $\pm 3/32"$



MEDC Ltd, Colliery Road, Pinxton  
Nottingham NG16 6JF, U.K.  
Tel: +44 (0)1773 864100  
Fax: +44 (0)1773 582800  
e-mail: info@medc.com web: www.medc.com

DESIGNERS & MANUFACTURERS  
OF ELECTRICAL & ELECTRONIC  
EQUIPMENT & SYSTEMS FOR  
HAZARDOUS AREAS

ISSUES	B. 22-01-01 MDS	ALL DIMENSIONS ARE IN MILLIMETRES UNLESS OTHERWISE STATED	THIS DRAWING IS CONFIDENTIAL AND IS THE PROPERTY OF MEDC AND MUST NOT BE REPRODUCED EITHER WHOLLY OR PARTLY. ALL RIGHTS IN RESPECT OF PATENTS, DESIGNS AND COPYRIGHT ARE RESERVED	DRAWN BY:	DATE:	TITLE	XBIII CUSTOMER GA UL VERSION
	C. 17-04-07 PF			M.SELDEN	15/08/00		
				G.HODGKINSON	15/08/00		
				M.SELDEN	15/08/00		
		MACHINE SYMBOLS THUS <input checked="" type="checkbox"/>		SCALE:	SIZE:	DRG No.	ISSUE
				NTS	A 4	225-197	C