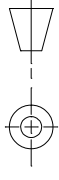
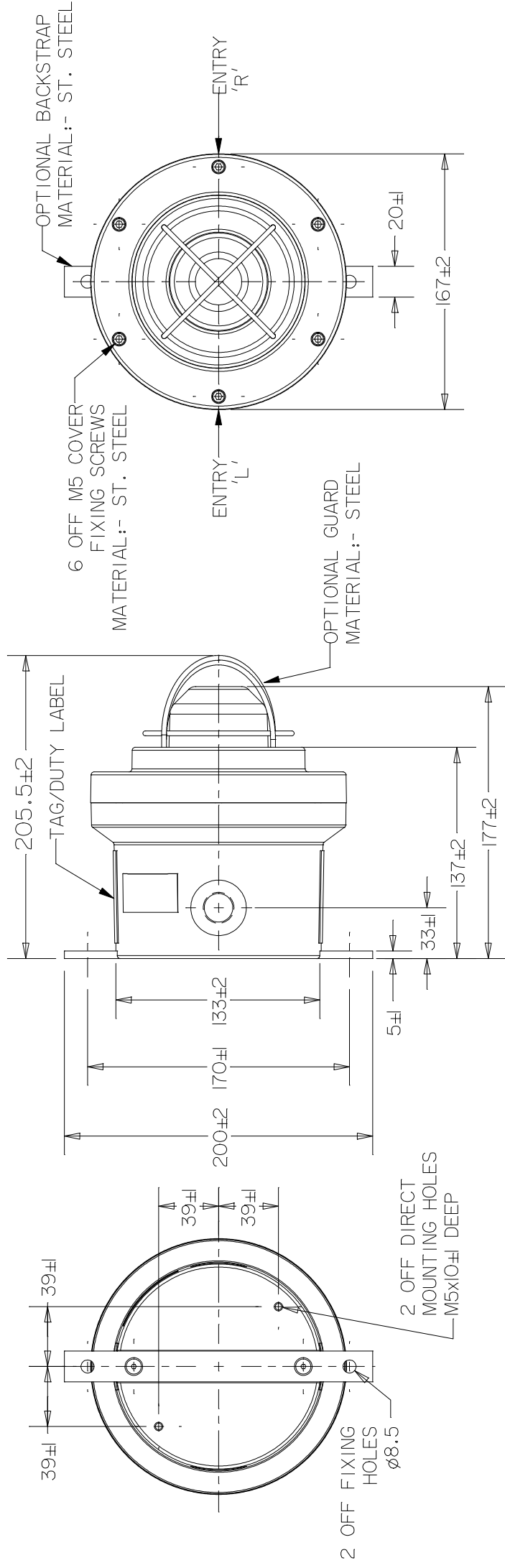


DO NOT SCALE



1. TYPE XBII XENON BEACON
2. CERTIFICATION No. BAS99ATEX2195X
II 2 GD EEx d IIB T100°C (-55°C Tamb +55°C)
T85°C (-55°C Tamb +40°C)
3. WEIGHT:- 2.5Kg ±0.3
4. ENCLOSURE & COVER MATERIAL:- GLASS REINFORCED POLYESTER
5. OPTIONAL TAG/DUTY LABEL, LETTER SIZE 5mm MAX.
6. TERMINAL ARE SUITABLE FOR UP TO 6-WAY, 440V 25A 2.5mm² MAX.
7. CABLE ENTRIES 2 x M20 x 1.5p MAX @ POSITIONS 'L' AND 'R'
8. HYLOMAR PL32 SEALANT APPLIED TO ALL CERTIFIED BLANKING PLUGS



MEDCO
 DESIGNERS & MANUFACTURERS
 OF ELECTRICAL & ELECTRONIC
 EQUIPMENT & SYSTEMS FOR
 HAZARDOUS AREAS

MEDC Ltd, Colliery Road, Pinxton
 Nottingham NG16 6JF, U.K.
 Tel: +44 (0)1773 864100
 Fax: +44 (0)1773 582800
 e-mail: info@medc.com web: www.medc.com

ISSUES B. 09/10/02 PF	THIS DRAWING IS CONFIDENTIAL AND IS THE PROPERTY OF MEDC AND MUST NOT BE REPRODUCED EITHER WHOLLY OR PARTLY. ALL RIGHTS IN RESPECT OF PATENTS, DESIGNS AND COPYRIGHT ARE RESERVED		TITLE	
	DRAWN BY:	DATE:	XBII ATEX CERTIFICATION CUSTOMER GA	
	M. SELDEN	22/11/99	DRG No. 225-159	
	CHECKED BY:	DATE:	ISSUE B	
G.H.	22/11/99			
APPROVED BY:	DATE:			
M. SELDEN	22/11/99			
SCALE:	SIZE:			
N.T.S.	A4			