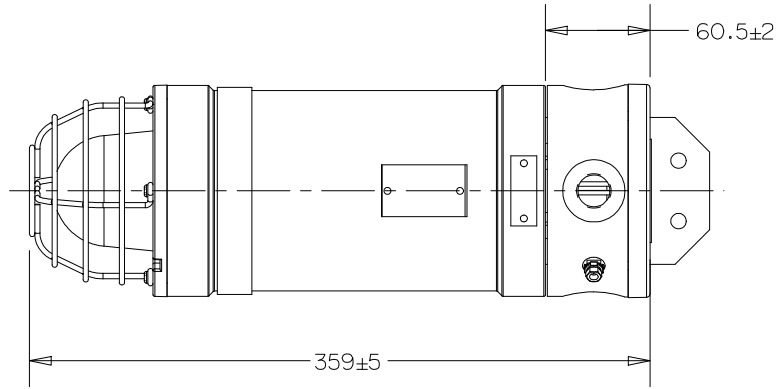
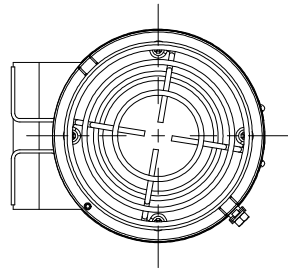
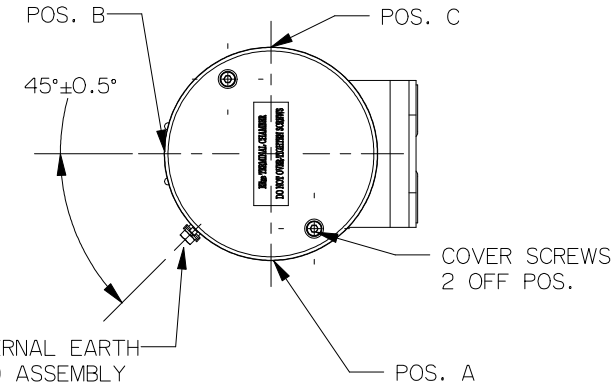
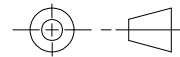


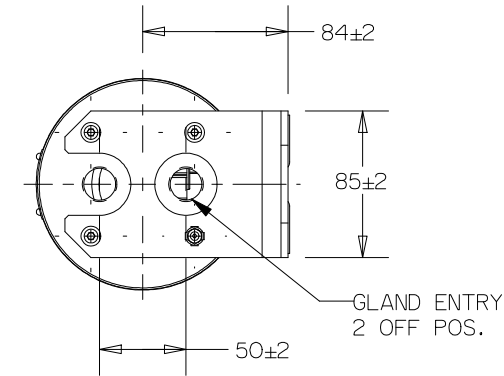
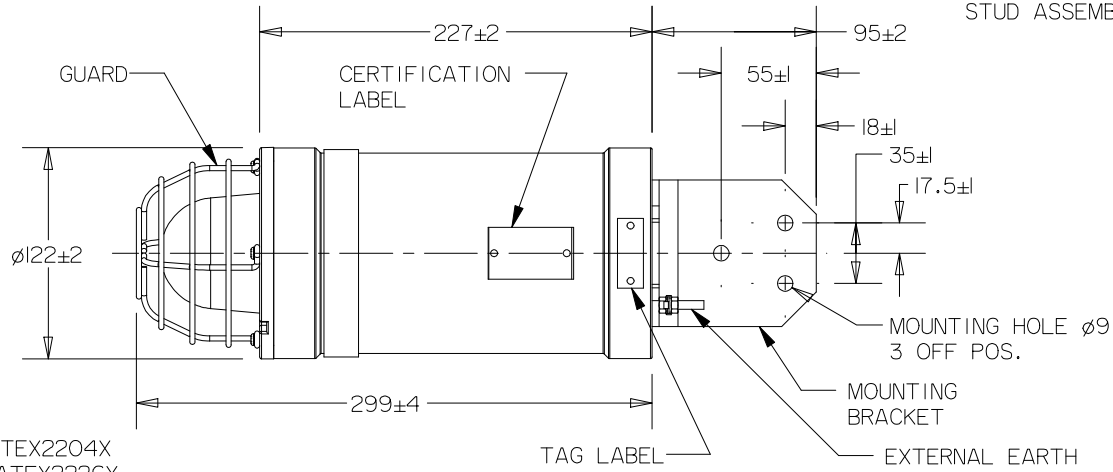
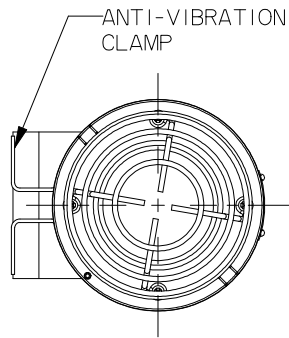
EExde VERSION



DO NOT SCALE



EExd VERSION



1. TYPE: IOJ OR 15J XENON BEACON
2. ATEX APPROVED: 112G EExd 11B T4, BAS OOATEX2204X  
112G EExde 11B T4, BAS OOATEX2226X
3. CERTIFIED TEMPERATURE:  
15J UNIT: EExd -55°C TO +40°C  
EExde -50°C TO +40°C  
IOJ UNIT: EExd -55°C TO +55°C  
EExde -50°C TO +45°C
4. WEIGHT: EExd 2.8 ± 0.2 kg, EExde 3.6 ± 0.2 kg
5. MATERIAL: BODY & COVER, GLASS REINFORCED POLYESTER  
LENS, GLASS  
SCREWS & BRACKET, STAINLESS STEEL 316

6. TAG LABEL LETTER SIZE: 5 MAX.
7. TERMINALS: 4 x 2.5mm<sup>2</sup> (DC), 6 x 2.5mm<sup>2</sup> (AC)
8. CABLE ENTRIES: UP TO 2 x M20 (EExd), UP TO 3 x M20 (EExde)
9. OPTIONS: TELEPHONE INITIATE, EARTH CONTINUITY



MEDC Ltd, Colliery Road, Pinxton  
Nottingham NG16 6JF, U.K.  
Tel: +44 (0)1773 864100  
Fax: +44 (0)1773 582800  
e-mail: info@medc.com web: www.medc.com

DESIGNERS & MANUFACTURERS  
OF ELECTRICAL & ELECTRONIC  
EQUIPMENT & SYSTEMS FOR  
HAZARDOUS AREAS

ISSUES	B. 30/03/05 PF	ALL DIMENSIONS ARE IN MILLIMETRES UNLESS OTHERWISE STATED	THIS DRAWING IS CONFIDENTIAL AND IS THE PROPERTY OF MEDC AND MUST NOT BE REPRODUCED EITHER WHOLLY OR PARTLY. ALL RIGHTS IN RESPECT OF PATENTS, DESIGNS AND COPYRIGHT ARE RESERVED	DRAWN BY: M.SELDEN	DATE: 17/01/01	TITLE  STANDARD CUSTOMER GA XBIO	
		REMOVE ALL BURRS AND SHARP CORNERS		CHECKED BY: P.OATES	DATE: 17/01/01		
		MACHINE SYMBOLS THUS		APPROVED BY: M.SELDEN	DATE: 17/01/01		
				SCALE: 1:5	SIZE: A4	DRG No. 228-153	ISSUE B