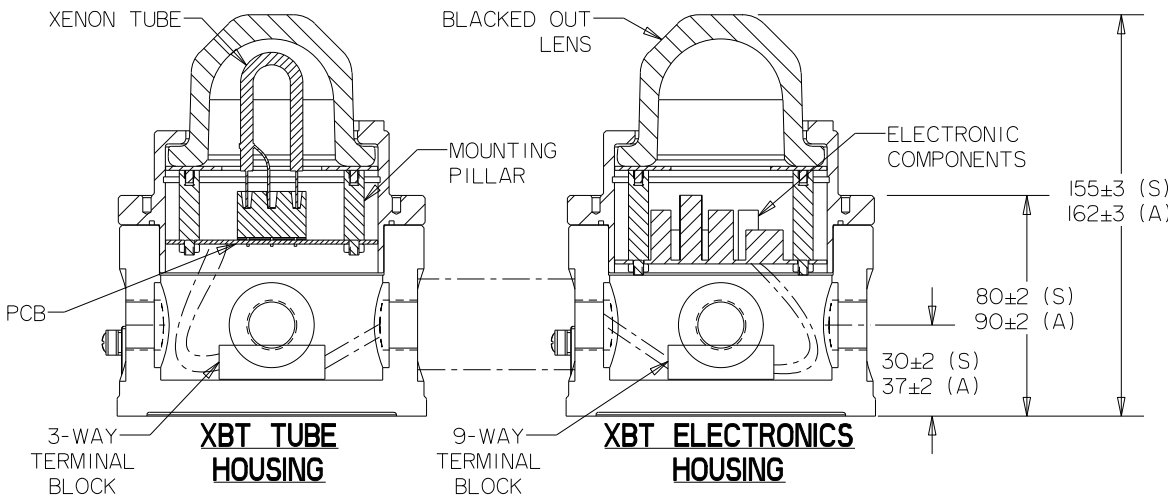
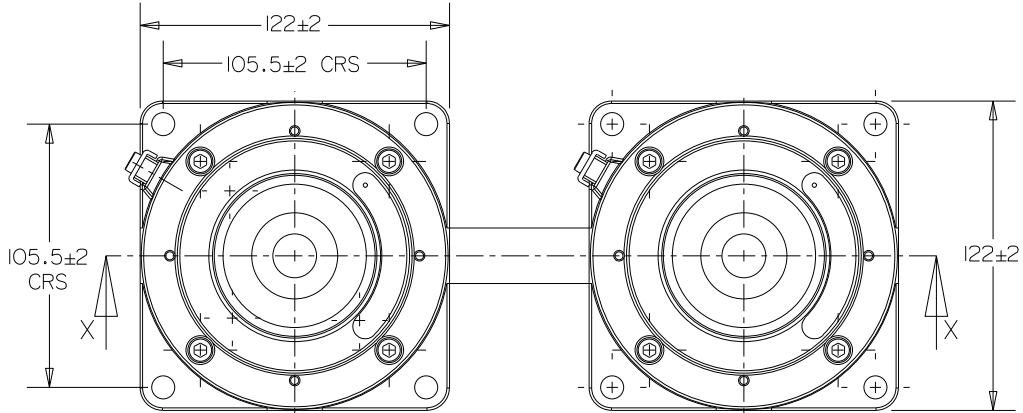
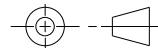


DO NOT SCALE



CONNECTION COMPONENTS E.G. GLANDS, CABLE AND CONDUIT TO BE SUPPLIED AND FITTED BY CUSTOMER

SECTION X-X

1. TYPE SM87XBT
2. CERTIFICATION DETAILS:
ATEX:
Baseefa03ATEX0222 - II 2 GD Ex d IIC T4/T5/T6 Gb
Ex tb IIIC T*°C Db IP66/67
IECEX:
IECEX BAS 09.0059 - Ex d IIC T4/T5/T6 Gb
Ex tb IIIC T*°C Db IP66/67
3. AMBIENT TEMPERATURE RANGE:
ELECTRONICS ENCLOSURE: T6 / T70°C (-55°C TO +55°C)
XENON TUBE ENCLOSURE: T4 / T110°C (-55°C TO +85°C)
T5 / T95°C (-55°C TO +70°C)
T6 / T80°C (-55°C TO +55°C)
4. MATERIAL: STAINLESS STEEL GRADE 316 ANC4B
ALUMINIUM ALLOY GRADE LM25TF
5. COMBINED WEIGHT: (S) 7.5±0.5 Kg
(A) 5±0.5 Kg
6. TERMINALS SUITABLE FOR UP TO 1.5mm²
7. FUNCTION / TAG LABEL LETTER SIZE 5mm MAX.
8. CABLE ENTRIES AVAILABLE IN EITHER M20 OR M25 ISO
9. GENERAL TOLERANCE: ±1 UOS
10. INTERCONNECTING GLANDS AND CONDUIT MAY BE FITTED TO ANY TWO ENTRIES
11. ALL UNUSED ENTRIES TO BE FITTED WITH BLANKING PLUGS AS REQUESTED
12. SUITABLE SEALING COMPOUND TO BE APPLIED TO ALL GLANDS AND BLANKING PLUGS

MEDC	Cooper MEDC Ltd, Unit B, Sutton Parkway, Oddicroft Lane, Sutton-in-Ashfield, Nottinghamshire, NG17 5FB, U.K. Tel: +44 (0) 1623 444400 web: www.coopermedc.com	DESIGNERS & MANUFACTURERS OF ELECTRICAL & ELECTRONIC EQUIPMENT & SYSTEMS FOR HAZARDOUS AREAS
-------------	---	---

ISSUES	B. 24-01-II PF C. 20-03-15.DW	ALL DIMENSIONS ARE IN MILLIMETRES UNLESS OTHERWISE STATED	THIS DRAWING IS CONFIDENTIAL AND IS THE PROPERTY OF MEDC AND MUST NOT BE REPRODUCED EITHER WHOLLY OR PARTLY. ALL RIGHTS IN RESPECT OF PATENTS, DESIGNS AND COPYRIGHT ARE RESERVED	DRAWN BY: P.FISHWICK	DATE: 05/01/04	TITLE SM87XBT XENON BEACON CUSTOMER GA ATEX AND IECEX	
	REMOVE ALL BURRS AND SHARP CORNERS	EITHER WHOLLY OR PARTLY.	CHECKED BY: D.FARMER	DATE: 05/01/04			
	MACHINE SYMBOLS THIS <input checked="" type="checkbox"/>	PATENTS, DESIGNS AND COPYRIGHT ARE RESERVED	APPROVED BY: M.SLACK	DATE: 05/01/04			
					SCALE: 33:100	SIZE: A4	DRG No. 562-346