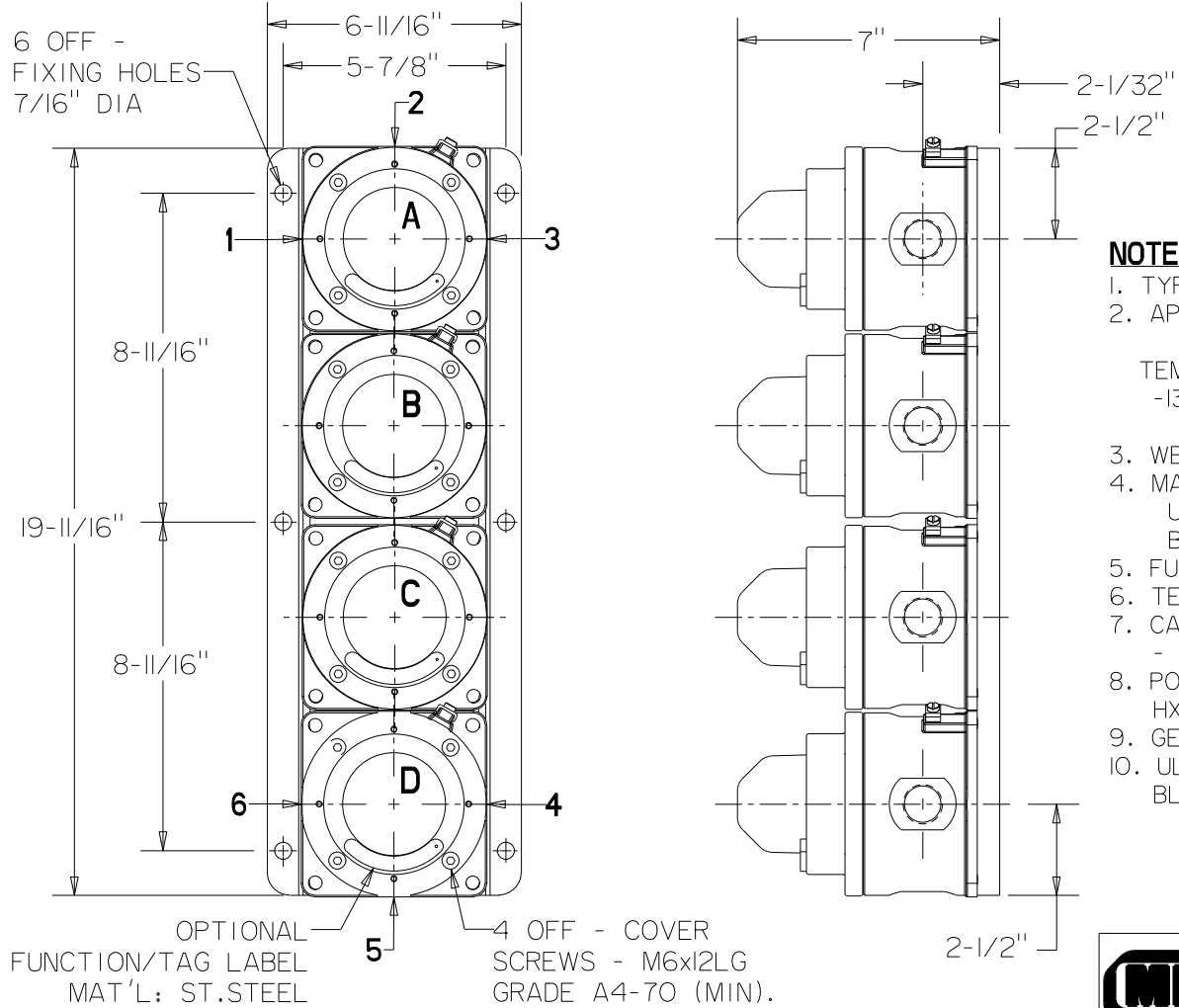
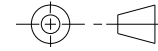


DO NOT SCALE



NOTES:

1. TYPE: SM87 SL4 UL
2. APPROVAL: UL LIST No E187894
- CLASS 1, DIV 1, GROUPS C&D.
TEMP RANGES:
-13°F TO 131°F - CONDUIT SEAL WITHIN 18" OF ENCLOSURE.
3. WEIGHT = 22.5 lb APPROX.
4. MATERIAL:
UNITS: LM25TF - MARINE GRADE ALLOY
BACKPLATE: ST.STEEL.
5. FUNCTION/TAG LABEL LETTER SIZE - 3/16" MAX.
6. TERMINALS SUITABLE FOR UP TO 14 AWG.
7. CABLE ENTRIES AVAILABLE AT "1" "2" "3" "4" "5" & "6".
- IN EITHER 1/2" OR 3/4" NPT.
8. POSITIONS "A" "B" "C" "D" ANY COMBINATION OF HXB, LUI & LU3. (UL VERSIONS).
9. GENERAL DIMENSION TOL = ±1/16"
10. UL LISTED SEALANT TO BE APPLIED TO ALL GLAND & BLANKING PLUGS.

MEDC MEDC Ltd, Colliery Road, Pinxton Nottingham NG16 6JF, U.K.
Tel: +44 (0)1773 864100 Fax: +44 (0)1773 582800 e-mail: info@medc.com web: www.medc.com

DESIGNERS & MANUFACTURERS OF ELECTRICAL & ELECTRONIC EQUIPMENT & SYSTEMS FOR HAZARDOUS AREAS

ISSUES	ALL DIMENSIONS ARE IN MILLIMETRES UNLESS OTHERWISE STATED	THIS DRAWING IS CONFIDENTIAL AND IS THE PROPERTY OF MEDC AND MUST NOT BE REPRODUCED EITHER WHOLLY OR PARTLY. ALL RIGHTS IN RESPECT OF PATENTS, DESIGNS AND COPYRIGHT ARE RESERVED	DRAWN BY: GH	DATE: 14/8/00	TITLE SM87 SL4 CUSTOMER G.A. (UL APPROVED)	
	REMOVE ALL BURRS AND SHARP CORNERS		CHECKED BY: M.SELDEN	DATE: 14/8/00		
	MACHINE SYMBOLS THUS <input checked="" type="checkbox"/>		APPROVED BY: G.HODGKINSON	DATE: 14/8/00		
			SCALE: 1:5	SIZE: A4	DRG No. 245-105	ISSUE A