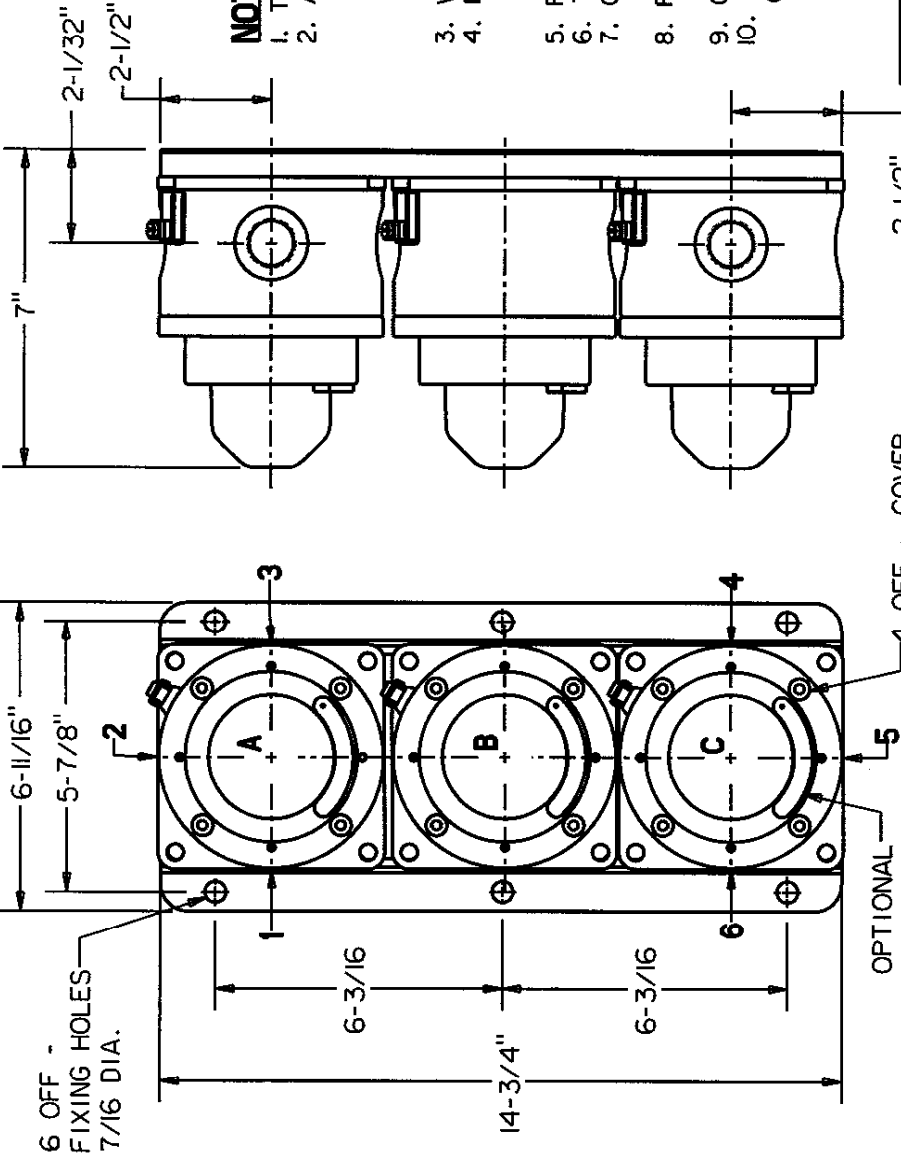


DO NOT SCALE



OPTIONAL
FUNCTION/TAG LABEL
MAT'L: ST. STEEL

NOTES:

1. TYPE: SM87 SL3 UL
2. APPROVAL: UL LIST No E187894
- CLASS 1, DIV 1, GROUPS C8D.
3. TEMP RANGES:
-13°F TO 131°F - CONDUIT SEAL WITHIN
18" OF ENCLOSURE.
4. MATERIAL:
UNITS: LM25TF - MARINE GRADE ALLOY
BACKPLATE: ST. STEEL.
5. FUNCTION/TAG LABEL LETTERING SIZE - 3/16" MAX.
6. TERMINALS SUITABLE FO UP TO 14 AWG.
7. CABLE ENTRIES AVAILABLE AT "1" "2" "3" "4" "5" 8"6"
- IN EITHER 1/2" OR 3/4" NPT.
8. POSITIONS "A" "B" "C" - ANY COMBINATION OF
HXB, LUI & LUS (UL VERSIONS).
9. GENERAL DIMENSION TOL = ±1/16"
10. UL LISTED SEALANT TO BE APPLIED TO ALL
GLANDS AND BLANKING BLGUS.



MEDC, Colliery Road, Pinxten, DESIGNERS & MANUFACTURERS
Nottingham NG16 6JF, U.K.
Tel: +44 (0)1773 812249
Fax: +44 (0)1773 880282
EQUIPMENT & SYSTEMS FOR
HAZARDOUS AREAS

ISSUES	DRAWN BY: GH		DATE: 14/8/00	TITLE	
	CHECKED BY:		DATE:	SM87 SL3	
	APPROVED BY:		DATE:	CUSTOMER G.A. (UL APPROVED)	
ALL DIMENSIONS ARE IN MILLIMETRES UNLESS OTHERWISE STATED		THIS DRAWING IS CONFIDENTIAL AND IS THE PROPERTY OF MEDC AND MUST NOT BE REPRODUCED EITHER WHOLLY OR PARTLY. ALL RIGHTS IN RESPECT OF PATENTS, DESIGNS AND COPYRIGHT ARE RESERVED		SCALE: 1:4	DRG No. 245-106
REMOVE ALL BURRS AND SHARP CORNERS		MACHINE SYMBOLS THIS <input checked="" type="checkbox"/>		SIZE: A4	ISSUE A