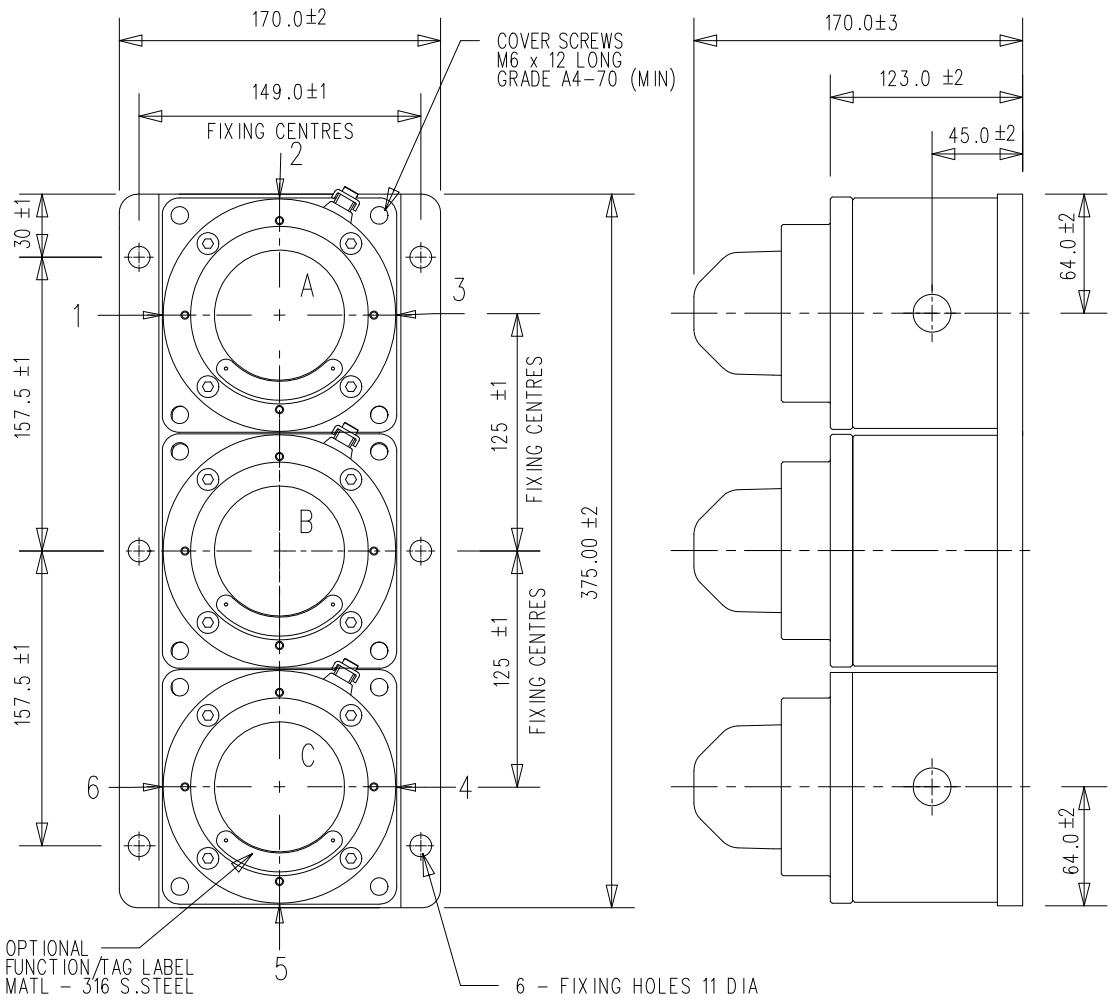
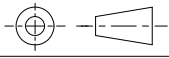


DO NOT SCALE



- 1/ TYPE SM87 SL3
- 2/ CERTIFICATION No. Baseefa03ATEX0222
EExd IIC T4 (FILAMENT)
EExd IIC T6 (LED, XENON & FLUORESCENT)
- 3/ WEIGHT - LED - 3.8 ±0.2 KG
HXB - 3.8 ±0.2 KG
LU1 - 3.7 ±0.2 KG
LU3 - 3.5 ±0.2 KG
BACKPLATE - 0.3/0.1 KG
- 4/ MATERIAL - STAINLESS STEEL GRADE 316/ANC 4B TO BS3146:1975
OR MARINE GRADE ALLOY GRADE LM25TF TO BS1490:1988.
- 5/ FUNCTION/TAG LETTER SIZE 5mm MAX.
- 6/ TERMINALS SUITABLE FOR UP TO 1.5mm SQ. CABLE
- 7/ CABLE ENTRIES AVAILABLE AT "1" "2" "3" "4" "5" & "6"
- 8/ POSITIONS "A" "B" "C" ANY COMBINATION OF LED/HXB/LU1/LU3
- 9/ BACKPLATE THICKNESS 2.5/1.5mm



Cooper MEDC Ltd, Unit B, Sutton Parkway,
Oddcroft Lane, Sutton-in-Ashfield,
Nottinghamshire, NG17 5FB, U.K.
Tel: +44 (0) 1623 444400
web: www.coopermedc.com

DESIGNERS & MANUFACTURERS
OF ELECTRICAL & ELECTRONIC
EQUIPMENT & SYSTEMS FOR
HAZARDOUS AREAS

ISSUES	C. 28-06-07 SO
	D. 13-11-08 GE
	E. 18-11-08 GE
	F. 21-11-08 GE
	G. 20-03-14 DW
	H. 20-03-15 DW

GENERAL TOLERANCES U.O.S

LINEAR: ±0.25
ANGULAR: ±0.5°
SURFACE FINISH: $\sqrt{3.2}$

ALL DIMENSIONS ARE IN MILLIMETRES UNLESS OTHERWISE STATED

REMOVE ALL BURRS AND SHARP EDGES

MACHINE SYMBOLS THUS $\sqrt{\quad}$ μ m

THIS DRAWING IS CONFIDENTIAL AND IS THE PROPERTY OF MEDC AND MUST NOT BE REPRODUCED EITHER WHOLLY OR PARTLY. ALL RIGHTS IN RESPECT OF PATENTS, DESIGNS AND COPYRIGHT ARE RESERVED.

DRAWN BY: C. FOSTER	DATE: 20-11-92
CHECKED BY: S.J.M.	DATE: 20-11-92
APPROVED BY: S.J.M.	DATE: 20-11-92
SCALE:	SIZE A4

TITLE SM87 SL3	DRG No. S-051-01-03	ISSUE H
GENERAL ARRANGEMENT		