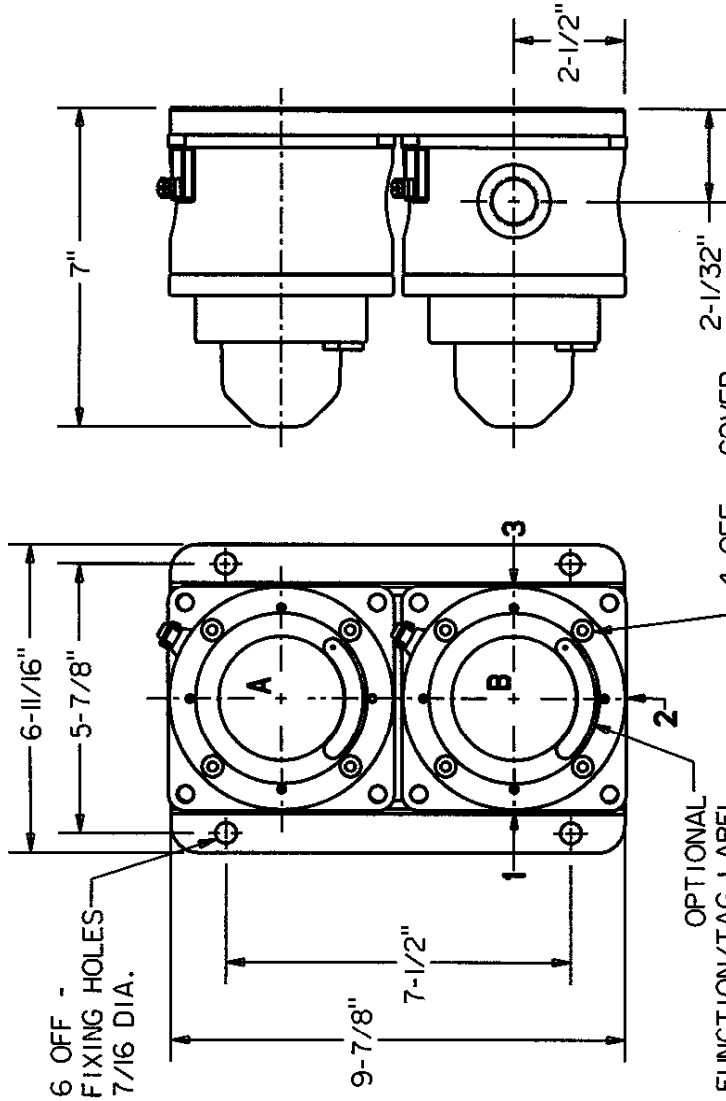


DO NOT SCALE



OPTIONAL
FUNCTION/TAG LABEL
MAT'L: ST. STEEL

4 OFF - COVER
SCREWS - M6x12LG
GRADE A4-70 (MIN)

NOTES:

1. TYPE: SM87 SL2 UL
2. APPROVAL: UL LIST No E187894
- CLASS 1, DIV 1, GROUPS C8D.
TEMP RANGES:
-13°F TO 131°F - CONDUIT SEAL WITHIN
18" OF ENCLOSURE.
3. WEIGHT - 11.5 lb APPROX.
4. MATERIAL:
UNITS: LM25TF - MARINE GRADE ALLOY
BACKPLATE: ST. STEEL.
5. FUNCTION/TAG LABEL LETTERING SIZE - 3/16" MAX.
6. TERMINALS SUITABLE OF UP TO 14 AWG.
7. CABLE ENTRIES AVAILABLE AT "1" "2" & "3"
- IN EITHER 1/2" OR 3/4" NPT.
8. POSITIONS "A" "B" - ANY COMBINATION OF
HXB, LUI & LU3 (UL VERSIONS).
9. GENERAL DIMENSION TOL - ±1/16"
10. UL LISTED SEALANT TO BE APPLIED TO ALL
GLANDS & BLANKING PLUGS.



MEDC, Colliery Road, Pinxton, DESIGNERS & MANUFACTURERS
of Hiogram M616 6JF, U.K. OF ELECTRICAL & ELECTRONIC
EQUIPMENT & SYSTEMS FOR
HAZARDOUS AREAS
Tel: +44 (0)1773 812249
Fax: +44 (0)1773 580282

ISSUES	DRAWN BY: GH CHECKED BY: APPROVED BY:	DATE: 15/8/00 DATE: DATE:	TITLE
	SCALE: 1:4 SIZE: A4	DRG No. 245-107	SM87 SL2 CUSTOMER G.A. (UL APPROVED)
	THIS DRAWING IS CONFIDENTIAL AND IS THE PROPERTY OF MEDC AND MUST NOT BE REPRODUCED EITHER WHOLLY OR PARTLY. ALL RIGHTS IN RESPECT OF PATENTS, DESIGNS AND COPYRIGHT ARE RESERVED	ALL DIMENSIONS ARE IN MILLIMETRES UNLESS OTHERWISE STATED	REMOVE ALL BURRS AND SHARP CORNERS