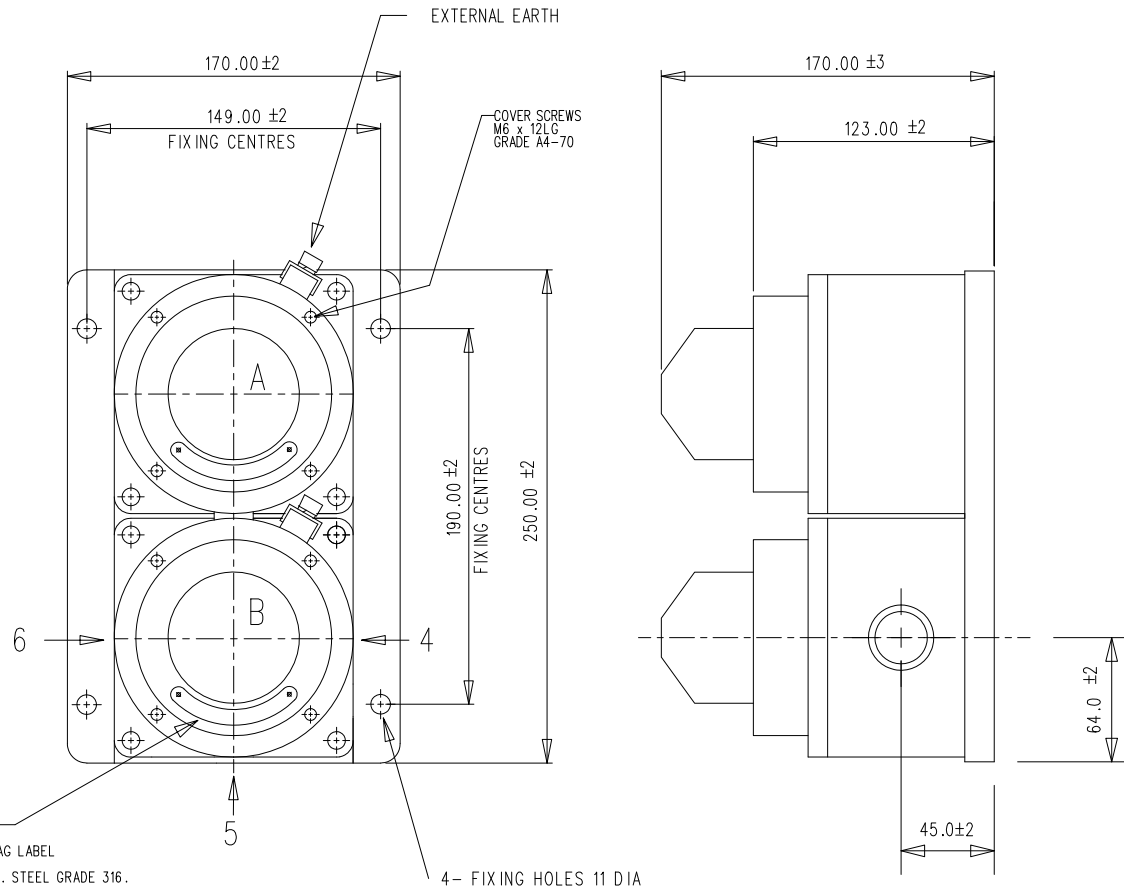
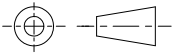


DO NOT SCALE



- 1/ TYPE SM87SL2
- 2/ CERTIFICATION No. Baseefa03ATEX0222
Exd IIC T4 (FILAMENT)
Exd IIC T6 (LED, XENON & FLUORESCENT)
- 3/ WEIGHT - LED - 3.8±0.2Kg.
HXB - 3.8±0.2Kg
LU1 - 3.7±0.2Kg
LU3 - 3.5±0.2Kg
BACKPLATE - 0.3/0.1Kg.
- 4/ MATERIAL - STAINLESS STEEL GRADE 316/ANC 4B TO BS3146:1975
OR MARINE ALLOY GRADE LM25TF TO BS1490:1988
- 5/ FUNCTION/TAG LETTER SIZE 5mm. MAX
- 6/ TERMINALS SUITABLE FOR UP TO 1.5mm SQ.CABLE
- 7/ CABLE ENTRIES AVAILABLE AT "4" "5" & "6".
- 8/ POSITIONS "A" "B" ANY COMBINATION OF LED/HXB/LU1/LU3.
- 9/ BACKPLATE THICKNESS 2.5/1.5mm.



Cooper MEDC Ltd, Unit B, Sutton Parkway,
Oddicraft Lane, Sutton-in-Ashfield,
Nottinghamshire, NG17 5FB, U.K.
Tel: +44 (0) 1623 444400
web: www.coopermedc.com

DESIGNERS & MANUFACTURERS
OF ELECTRICAL & ELECTRONIC
EQUIPMENT & SYSTEMS FOR
HAZARDOUS AREAS

ISSUES	B.02-07-07 SO	GENERAL TOLERANCES U.O.S	ALL DIMENSIONS ARE IN MILLIMETRES UNLESS OTHERWISE STATED	THIS DRAWING IS CONFIDENTIAL AND IS THE PROPERTY OF MEDC AND MUST NOT BE REPRODUCED EITHER WHOLLY OR PARTLY. ALL RIGHTS IN RESPECT OF PATENTS, DESIGNS AND COPYRIGHT ARE RESERVED.	DRAWN BY: S. TOMLINSON	DATE: 2-10-97	TITLE SM87 SL2 GENERAL ARRANGEMENT	DRG No. S-104-02	ISSUE D
	C.20-03-14 .DW				CHECKED BY: B. MALBON	DATE: 2-10-97			
	D.16-03-15 .DW				APPROVED BY: B. TAYLOR	DATE: 2-10-97			
					SCALE:	SIZE A4			

LINEAR: ±0.25
ANGULAR: ±0.5°
SURFACE FINISH: $\sqrt{3.2}$
MACHINE SYMBOLS THUS $\sqrt{\mu\text{m}}$