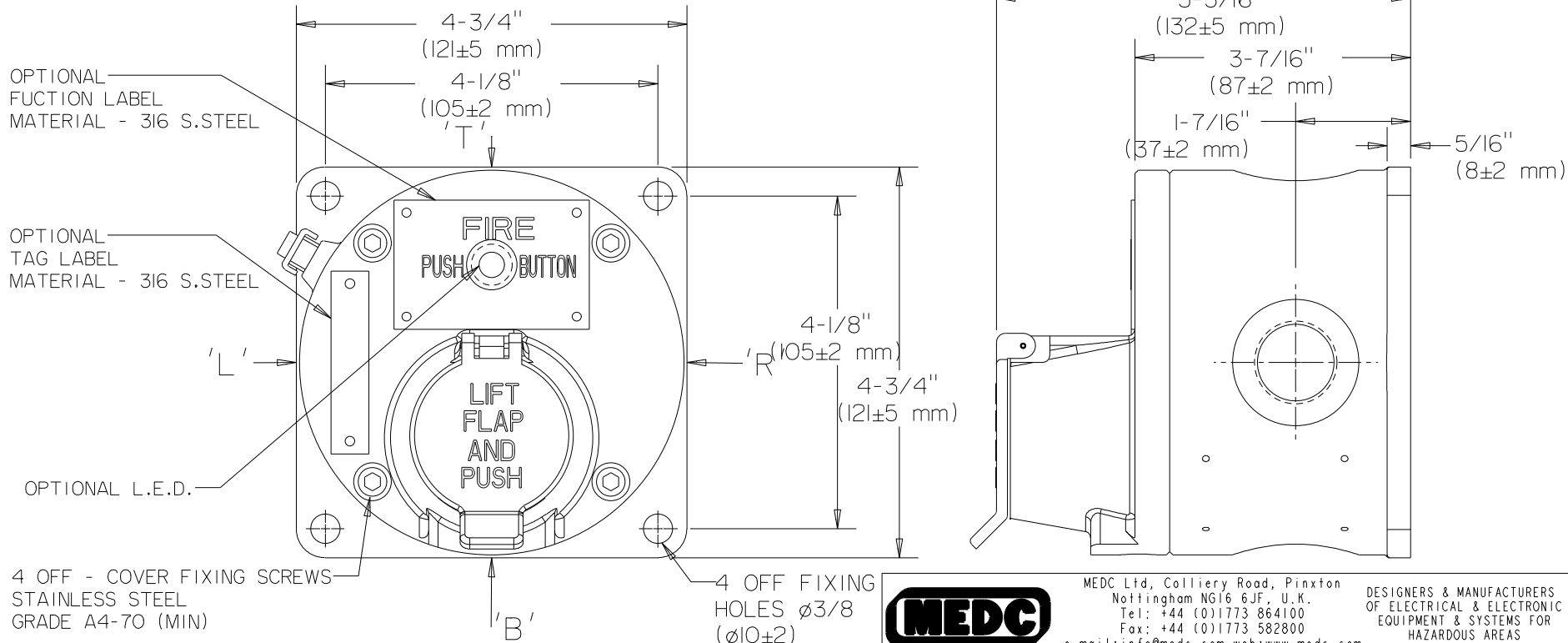


**NOTES:**

1. TYPE: SM87 PB UL
2. APPROVAL: - UL LIST No. E186629
  - CLASS 1, DIV 1, GROUPS C&D.
  - TEMP: -67°F TO 131°F (-55°C TO +55°C) (STANDARD)
  - 4°F TO 131°F (-20°C TO +55°C) (LED VERSION)
3. WEIGHT: 5.5 lb. (2.5 Kg) APPROX.
4. MATERIAL: LM25TF - MARINE GRADE ALLOY
5. FUNCTION LABEL LETTER SIZE 3/16" (5) MAX.


6. TERMINALS SUITABLE FOR UP TO 14 AWG.
7. CABLE ENTRIES AVAILABLE 'T' 'B' 'L' 'R' - 1/2" OR 3/4" NPT
8. UNIT IS SELF LATCHING - RESET KEY PROVIDED.
9. GENERAL DIMENSIONAL TOLERANCE = ±1/16 U.O.S.
10. UL LISTED SEALANT TO BE APPLIED TO ALL GLANDS & BLANKING PLUGS.

DO NOT SCALE 



**MEDC** MEDC Ltd, Colliery Road, Pinxton  
 Nottingham NG16 6JF, U.K.  
 Tel: +44 (0)1773 864100  
 Fax: +44 (0)1773 582800  
 e-mail: info@medc.com web:www.medc.com

DESIGNERS & MANUFACTURERS  
 OF ELECTRICAL & ELECTRONIC  
 EQUIPMENT & SYSTEMS FOR  
 HAZARDOUS AREAS

ISSUES	B. 22/03/01 PF	ALL DIMENSIONS ARE IN MILLIMETRES UNLESS OTHERWISE STATED	THIS DRAWING IS CONFIDENTIAL AND IS THE PROPERTY OF MEDC AND MUST NOT BE REPRODUCED EITHER WHOLLY OR PARTLY. ALL RIGHTS IN RESPECT OF PATENTS, DESIGNS AND COPYRIGHT ARE RESERVED	DRAWN BY:	GH	DATE:	9/8/00	TITLE  SM87 PB UL CUSTOMER G.A.			
		REMOVE ALL BURRS AND SHARP CORNERS		CHECKED BY:	M.SELDEN	DATE:	11/8/00				
		MACHINE SYMBOLS THUS 		APPROVED BY:	G.HODGKINSON	DATE:	11/8/00				
						SCALE:	1:2	SIZE:	A4	DRG No.	238-118