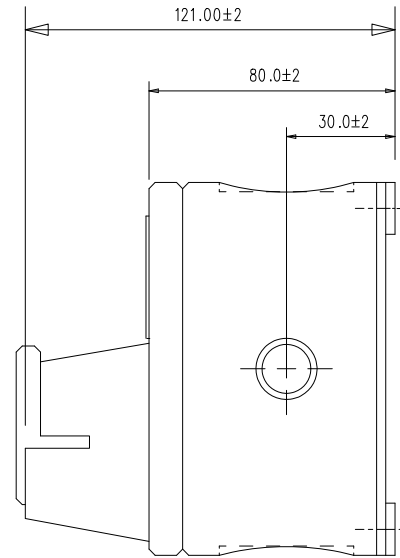
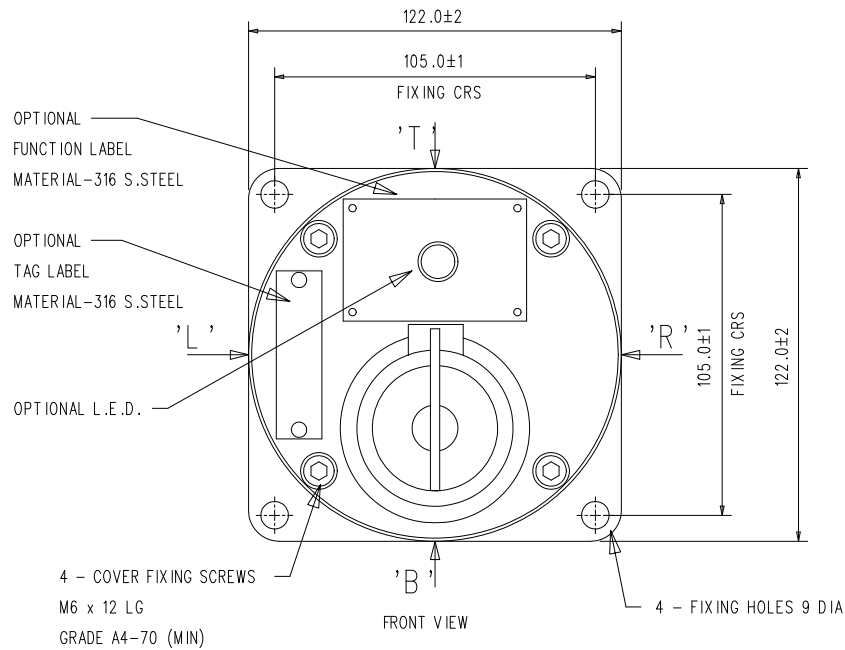
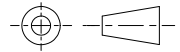


DO NOT SCALE



- 1/ TYPE SM87PBL TURN & PUSH
- 2/ CERTIFICATION No. Baseefa02ATEX0152X EExiaIIC T4
Baseefa03ATEX0075 EExdIIC T5/T6
- 3/ WEIGHT - 3.8±0.2 Kg
- 4/ MATERIAL - STAINLESS STEEL GRADE 316 ANC4B
OR MARINE GRADE ALLOY LM25 TF
- 5/ FUNCTION LABEL LETTER SIZE 5mm MAX.
- 6/ TERMINALS SUITABLE FOR UPTO 1.5mm SQ. CABLE
- 7/ CABLE ENTRIES AVAILABLE AT 'T' 'B' 'L' 'R'



Cooper MEDC Ltd, Unit B, Sutton Parkway,
Oddicroft Lane, Sutton-in-Ashfield,
Nottinghamshire, NG17 5FB, U.K.
Tel: +44 (0) 1623 444400
web: www.coopermedc.com

DESIGNERS & MANUFACTURERS
OF ELECTRICAL & ELECTRONIC
EQUIPMENT & SYSTEMS FOR
HAZARDOUS AREAS

ISSUES	GENERAL TOLERANCES U.O.S	ALL DIMENSIONS ARE IN MILLIMETRES UNLESS OTHERWISE STATED	THIS DRAWING IS CONFIDENTIAL AND IS THE PROPERTY OF MEDC AND MUST NOT BE REPRODUCED EITHER WHOLLY OR PARTLY. ALL RIGHTS IN RESPECT OF PATENTS, DESIGNS AND COPYRIGHT ARE RESERVED.	DRAWN BY: S. OATES	DATE: 23-08-07	TITLE CUSTOMER GENERAL ARRANGEMENT SM87PBL TURN & PUSH
	LINEAR: ±0.25	REMOVE ALL BURRS AND SHARP EDGES		CHECKED BY: G. EVANS	DATE: 24-08-07	
	ANGULAR: ±0.5°	MACHINE SYMBOLS THUS μm		APPROVED BY: B. TAYLOR	DATE: 24-08-07	
	SURFACE FINISH: μm			SCALE: -	SIZE A4	DRG No. SM87PBL T&P