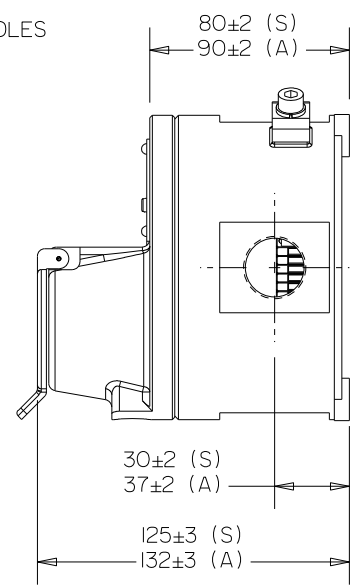
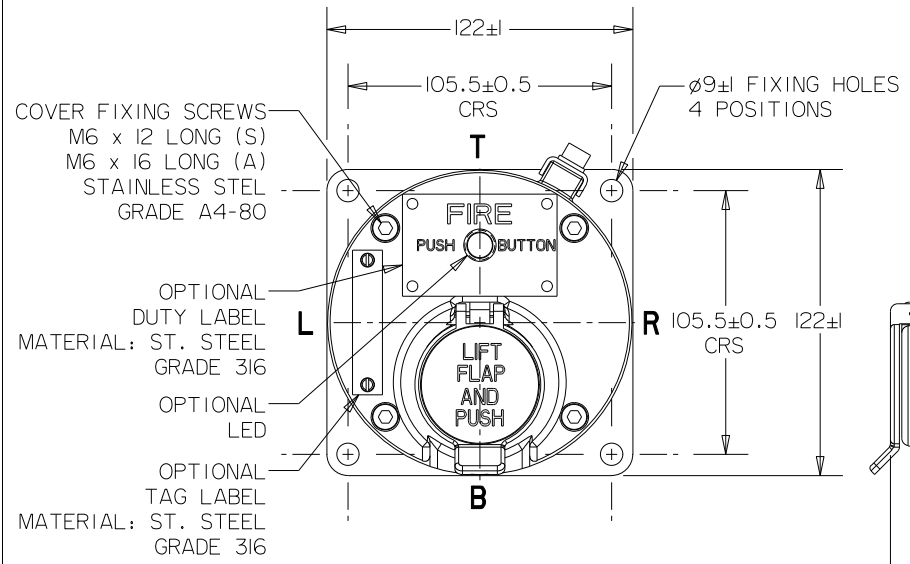
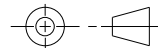


DO NOT SCALE



1. TYPE SM87PBD / SM87PBI
2. CERTIFICATION DETAILS:
 - Ex d
ATEX: Baseefa03ATEX0075 - II 2 GD IIC T5/6 Gb
Ex tb IIIC T100°C/T85°C Db IP66/67
 - IECEX: IECEX BAS 09.0060 - Ex d IIC T5/6 Gb
Ex tb IIIC T100°C/T85°C Db IP66/67
 - Ex ia
ATEX: Baseefa02ATEX0152X - II 1 G Ex ia IIC T4 Ga
IECEX: IECEX BAS 10.0033X - Ex ia IIC T4 Ga
3. AMBIENT TEMPERATURE RANGE:
 - Ex d - T5/T100°C (Tamb -55°C to +70°C)
 - T6/T85°C (Tamb -55°C to +55°C)
 - Ex ia - T4 (Tamb -55°C to +55°C)
4. MATERIAL: STAINLESS STEEL (S) GRADE 316 / ANC 4B TO BS3146:1975
ALUMINIUM ALLOY (A) GRADE LM25TF TO BSI490:1998
5. WEIGHT: (S) 3.8 ±0.3 Kg
(A) 2.5 ±0.3 Kg
6. TERMINALS ARE SUITABLE FOR UP TO 1.5mm² CABLE
7. FUNCTION / TAG LABEL LETTER SIZE 5mm MAX.
8. CABLE ENTRIES: UP TO M25 IN POSITIONS 'T', 'B', 'L' & 'R'

MEDC Cooper MEDC Ltd, Unit B, Sutton Parkway, Oddicroft Lane, Sutton-in-Ashfield, Nottinghamshire, NG17 5FB, U.K.
Tel: +44 (0) 1623 444400
web: www.coopermedc.com

DESIGNERS & MANUFACTURERS OF ELECTRICAL & ELECTRONIC EQUIPMENT & SYSTEMS FOR HAZARDOUS AREAS

ISSUES	B.20-03-15.DW	ALL DIMENSIONS ARE IN MILLIMETRES UNLESS OTHERWISE STATED	THIS DRAWING IS CONFIDENTIAL AND IS THE PROPERTY OF MEDC AND MUST NOT BE REPRODUCED EITHER WHOLLY OR PARTLY. ALL RIGHTS IN RESPECT OF PATENTS, DESIGNS AND COPYRIGHT ARE RESERVED	DRAWN BY: P.FISHWICK	DATE: 24-01-11	TITLE SM87PB (Ex d & Ex ia) CALL POINTS CUSTOMER GA ATEX AND IECEX	
		REMOVE ALL BURRS AND SHARP CORNERS		CHECKED BY: M.SLACK	DATE: 24-01-11		
		MACHINE SYMBOLS THUS <input checked="" type="checkbox"/>		APPROVED BY: P.FISHWICK	DATE: 24-01-11		
				SCALE:	SIZE: A4	DRG No. 562-856	ISSUE B