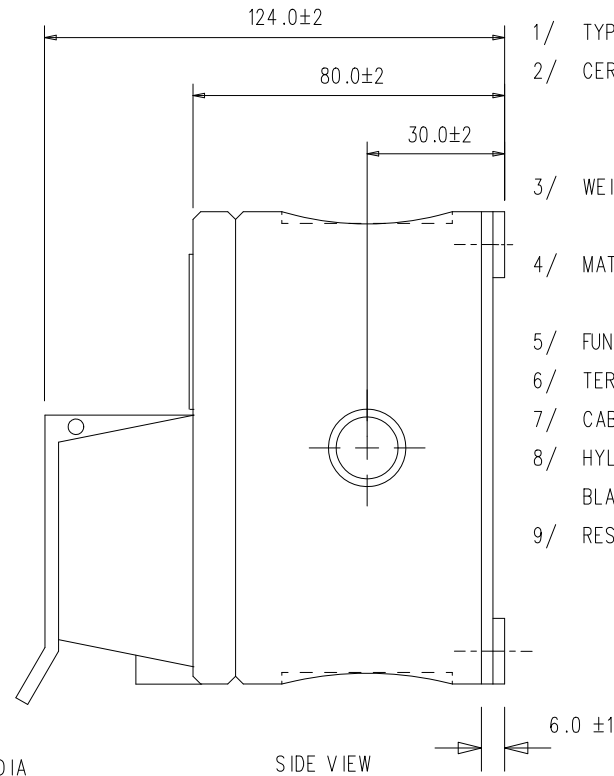
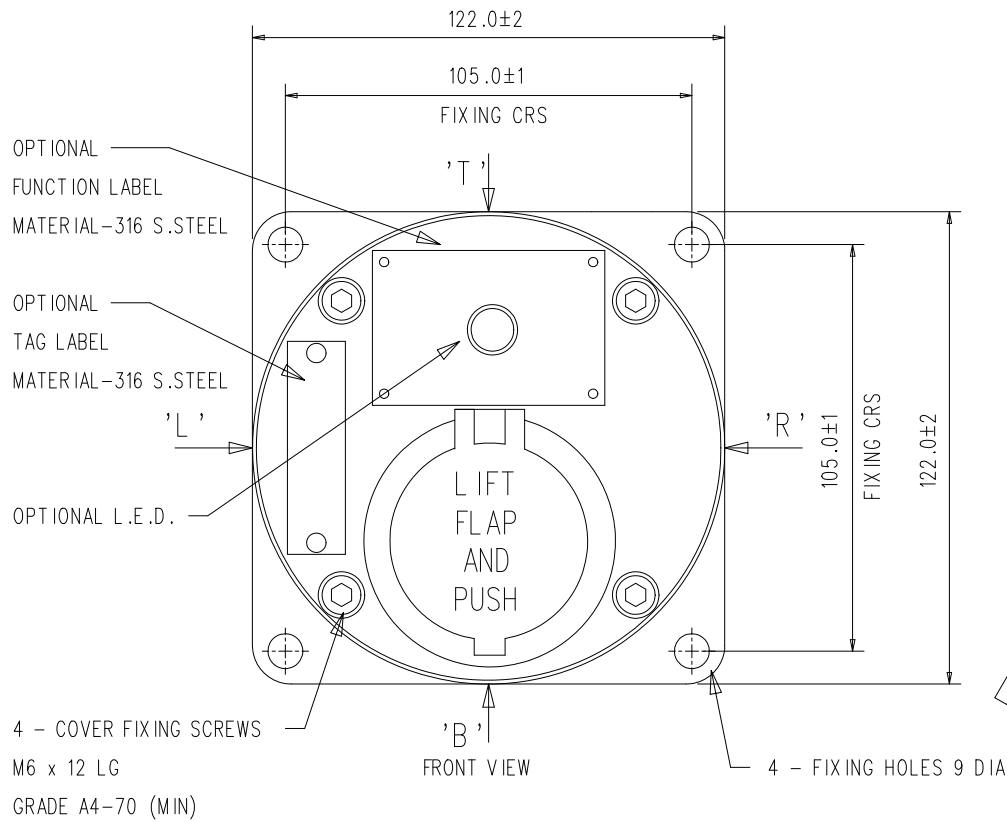
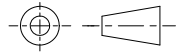


**DO NOT SCALE**



- 1/ TYPE SM87PB
- 2/ CERTIFICATION NO. LR79120-2  
Exia CLASS 1, GROUPS A, B, C, AND D  
LR79122-4  
Exd CLASS 1, GROUP D
- 3/ WEIGHT 3.8±0.2 kg (STEEL)  
2.5±0.2 kg (ALLOY)
- 4/ MATERIAL STAINLESS STEEL GRADE 316/ANC TO BS3146:1975  
LM 25 TF MARINE GRADE ALLOY
- 5/ FUNCTION LABEL LETTER SIZE 5mm MAX
- 6/ TERMINALS SUITABLE FOR UP TO 1.5mm SQ CABLE
- 7/ CABLE ENTRIES AVAILABLE AT 'T' 'B' 'L' 'R'
- 8/ HYLMAR PL32 SEALANT APPLIED TO ALL CERTIFIED  
BLANKING PLUGS.
- 9/ REST KEY PROVIDED FOR LATCHING VERSION/BATCH



Cooper MEDC Ltd, Unit B, Sutton Parkway,  
Oddicroft Lane, Sutton-in-Ashfield,  
Nottinghamshire, NG17 5FB, U.K.  
Tel:+ 44 (0) 1623 444400  
web: www.coopermedc.com

DESIGNERS & MANUFACTURERS  
OF ELECTRICAL & ELECTRONIC  
EQUIPMENT & SYSTEMS FOR  
HAZARDOUS AREAS

ISSUES	GENERAL TOLERANCES U.O.S	ALL DIMENSIONS ARE IN MILLIMETRES UNLESS OTHERWISE STATED	THIS DRAWING IS CONFIDENTIAL AND IS THE PROPERTY OF MEDC AND MUST NOT BE REPRODUCED EITHER WHOLLY OR PARTLY. ALL RIGHTS IN RESPECT OF PATENTS, DESIGNS AND COPYRIGHT ARE RESERVED.	DRAWN BY: D.W	DATE: 14-12-10	TITLE SM87PB	
	LINEAR: ±0.25	REMOVE ALL BURRS AND SHARP EDGES		CHECKED BY: G.E	DATE: 14-12-10	GENERAL ARRANGEMENT	
	ANGULAR: ±0.5°	MACHINE SYMBOLS THIS $\sqrt{\mu\text{m}}$		APPROVED BY: B.T	DATE: 14-12-10		
	SURFACE FINISH: $\sqrt{3.2}$			SCALE: -	SIZE A4	DRG No. SM87PB-CSA	ISSUE B