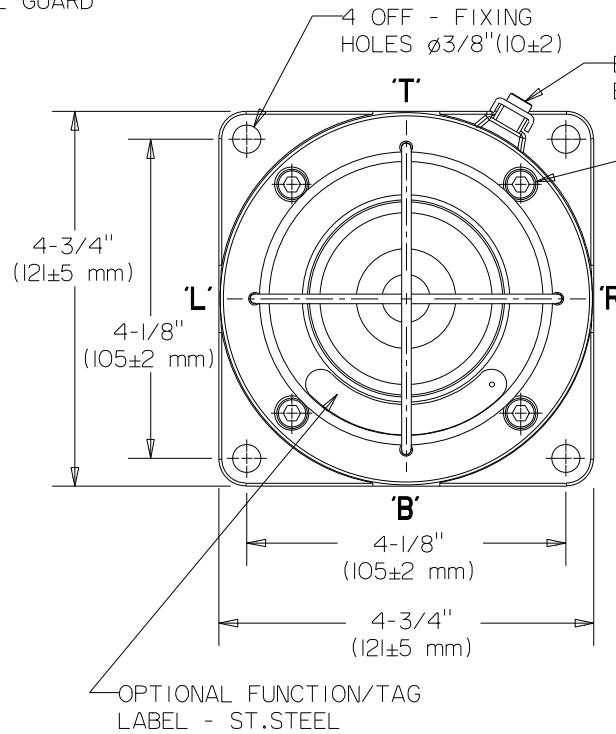
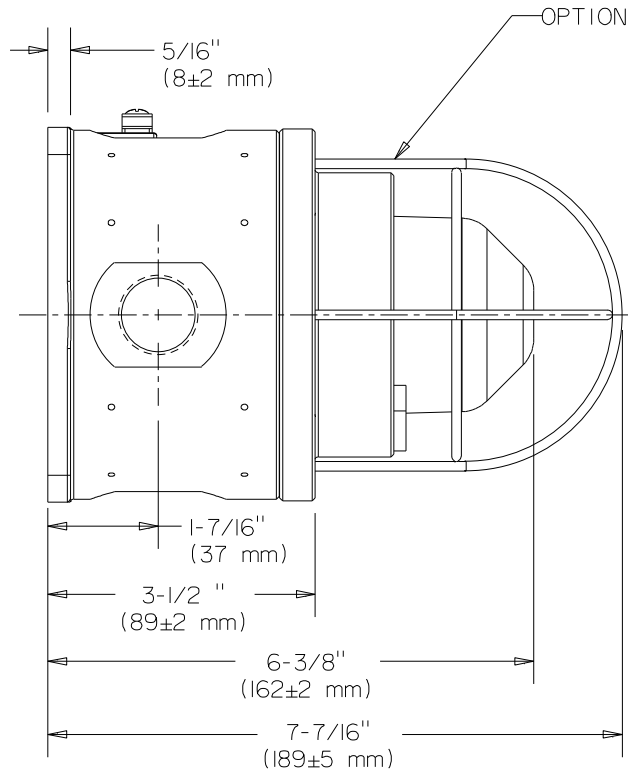
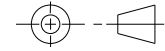


DO NOT SCALE



- NOTES
- TYPE: SM87 HXB/LUI/LU3 UL
 - APPROVAL: UL LIST No E187894
- CLASS I, DIV 1, GROUPS C8D.
AMBIENT TEMP: -67°F TO +158°F - SM87HXB
-67°F TO +131°F - SM87LUI/LU3
 - WEIGHT - 5.5 lb (2.5 Kg) APPROX.
 - MATERIAL: LM25TF - MARINE GRADE ALLOY
 - FUNCTION/TAG LABEL LETTER SIZE 3/16" (5) MAX.
 - TERMINALS SUITABLE FOR UP TO 14 AWG.
 - CABLE ENTRIES AVAILABLE 'T' 'B' 'L' 'R' IN EITHER 1/2" OR 3/4" NPT.
 - GENERAL DIMENSION TOL = ±1/16"
 - UL LISTED SEALANT TO BE APPLIED TO ALL GLAND & BLANKING PLUGS.

MEDC MEDC Ltd, Colliery Road, Pinxton Nottingham NG16 6JF, U.K.
Tel: +44 (0)1773 864100 Fax: +44 (0)1773 582800 e-mail: info@medc.com web: www.medc.com

DESIGNERS & MANUFACTURERS OF ELECTRICAL & ELECTRONIC EQUIPMENT & SYSTEMS FOR HAZARDOUS AREAS

ISSUES	B. 13-12-00 MDS	ALL DIMENSIONS ARE IN MILLIMETRES UNLESS OTHERWISE STATED	THIS DRAWING IS CONFIDENTIAL AND IS THE PROPERTY OF MEDC AND MUST NOT BE REPRODUCED EITHER WHOLLY OR PARTLY. ALL RIGHTS IN RESPECT OF PATENTS, DESIGNS AND COPYRIGHT ARE RESERVED	DRAWN BY:	DATE:	TITLE	SM87 HXB, LUI & LU3 CUSTOMER G.A. (UL APPROVED)
	C. 22-03-01 PF			GH	11/8/00		
	D. 17-04-07 PF			M.SELDEN	11/8/00		
				G.HODGKINSON	11/8/00		
		REMOVE ALL BURRS AND SHARP CORNERS		SCALE:	SIZE:	DRG No.	ISSUE
		MACHINE SYMBOLS THUS <input checked="" type="checkbox"/>		1:2.5	A4	245-104	D