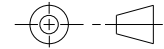


DO NOT SCALE

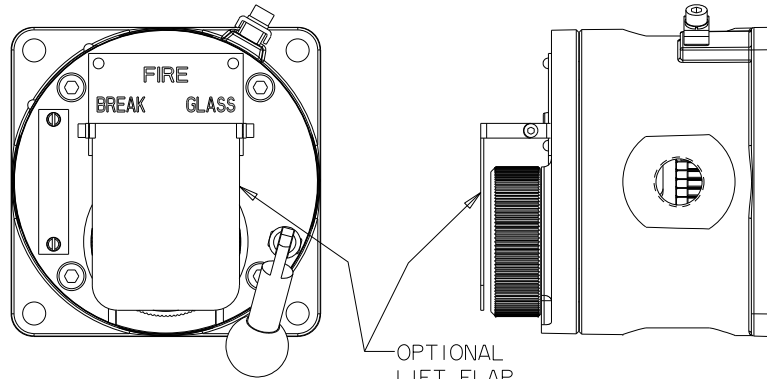
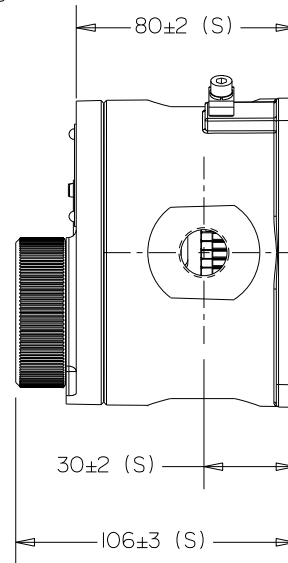
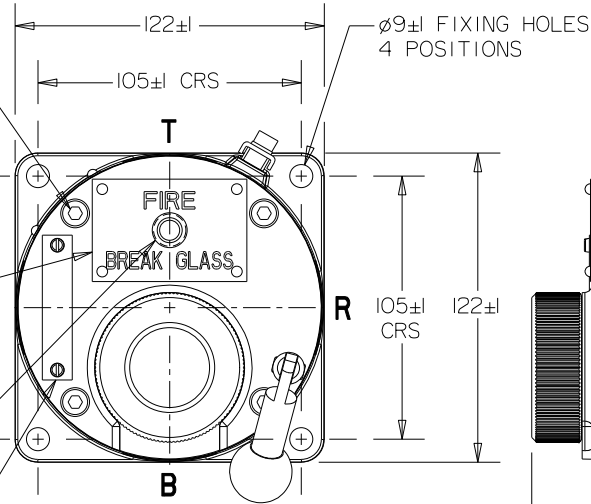


COVER FIXING SCREWS  
M6 x 12 LONG (S)  
M6 x 16 LONG (A)  
STAINLESS STEEL  
GRADE A4-80

OPTIONAL  
DUTY LABEL  
MATERIAL: ST. STEEL  
GRADE 316

OPTIONAL  
LED

OPTIONAL  
TAG LABEL  
MATERIAL: ST. STEEL  
GRADE 316



OPTIONAL  
LIFT FLAP  
MATERIAL: ST. STEEL

NOTE: HAMMER HAS BEEN  
REMOVED FROM SIDE VIEWS  
TO AID CLARITY

- TYPE SM87BGLD / SM87BGLI
- CERTIFICATION DETAILS:  
Ex d  
ATEX: Baseefa03ATEX0075 - II 2 GD IIC T5/6 Gb  
Ex tb IIIC T100°C/T85°C Db IP66/67  
IECEX: IECEX BAS 09.0060 - Ex d IIC T5/6 Gb  
Ex tb IIIC T100°C/T85°C Db IP66/67  
Ex ia  
ATEX: Baseefa02ATEX0152X - II I G Ex ia IIC T4 Ga  
IECEX: IECEX BAS 10.0033X - Ex ia IIC T4 Ga
- AMBIENT TEMPERATURE RANGE:  
Ex d - T5/T100°C (Tamb -55°C to +70°C)  
- T6/T85°C (Tamb -55°C to +55°C)  
Ex ia - T4 (Tamb -55°C to +55°C)
- MATERIAL: STAINLESS STEEL (S) GRADE 316 / ANC 4B  
TO BS3146:1975  
ALUMINIUM ALLOY (A) GRADE LM25TF  
TO BS1490:1998
- WEIGHT: (S) 3.8 ±0.3 Kg  
(A) 2.5 ±0.3 Kg
- TERMINALS ARE SUITABLE FOR UP TO 1.5mm<sup>2</sup> CABLE
- FUNCTION / TAG LABEL LETTER SIZE 5mm MAX.
- CABLE ENTRIES: UP TO M25 IN POSITIONS 'T', 'B', 'L' & 'R'
- WHEN THE OPTIONAL LIFT FLAP IS FITTED, MODEL DESIGNATIONS CHANGE TO LBGLG AND LBGLI



Cooper MEDC Ltd, Unit B, Sutton Parkway,  
Oddicroft Lane, Sutton-in-Ashfield,  
Nottinghamshire, NG17 5FB, U.K.  
Tel: +44 (0) 1623 444400  
web: www.coopermedc.com

DESIGNERS & MANUFACTURERS  
OF ELECTRICAL & ELECTRONIC  
EQUIPMENT & SYSTEMS FOR  
HAZARDOUS AREAS

ISSUES

B.20-03-15.DW

ALL DIMENSIONS ARE  
IN MILLIMETRES UNLESS  
OTHERWISE STATED

REMOVE ALL BURRS  
AND SHARP CORNERS

MACHINE  
SYMBOLS THUS

THIS DRAWING IS CONFIDENTIAL  
AND IS THE PROPERTY OF MEDC  
AND MUST NOT BE REPRODUCED  
EITHER WHOLLY OR PARTLY.  
ALL RIGHTS IN RESPECT OF  
PATENTS, DESIGNS AND  
COPYRIGHT ARE RESERVED

|              |          |
|--------------|----------|
| DRAWN BY:    | DATE:    |
| P.FISHWICK   | 24-01-11 |
| CHECKED BY:  | DATE:    |
| M.SLACK      | 24-01-11 |
| APPROVED BY: | DATE:    |
| P.FISHWICK   | 24-01-11 |
| SCALE:       | SIZE:    |
|              | A 4      |

|  |
|--|
| TITLE  |
| SM87BG (Ex d & Ex ia) CALL POINTS<br>CUSTOMER GA<br>ATEX AND IECEX |
| DRG No.  |
| 562-855  |

|       |
|-------|
| ISSUE |
| B     |