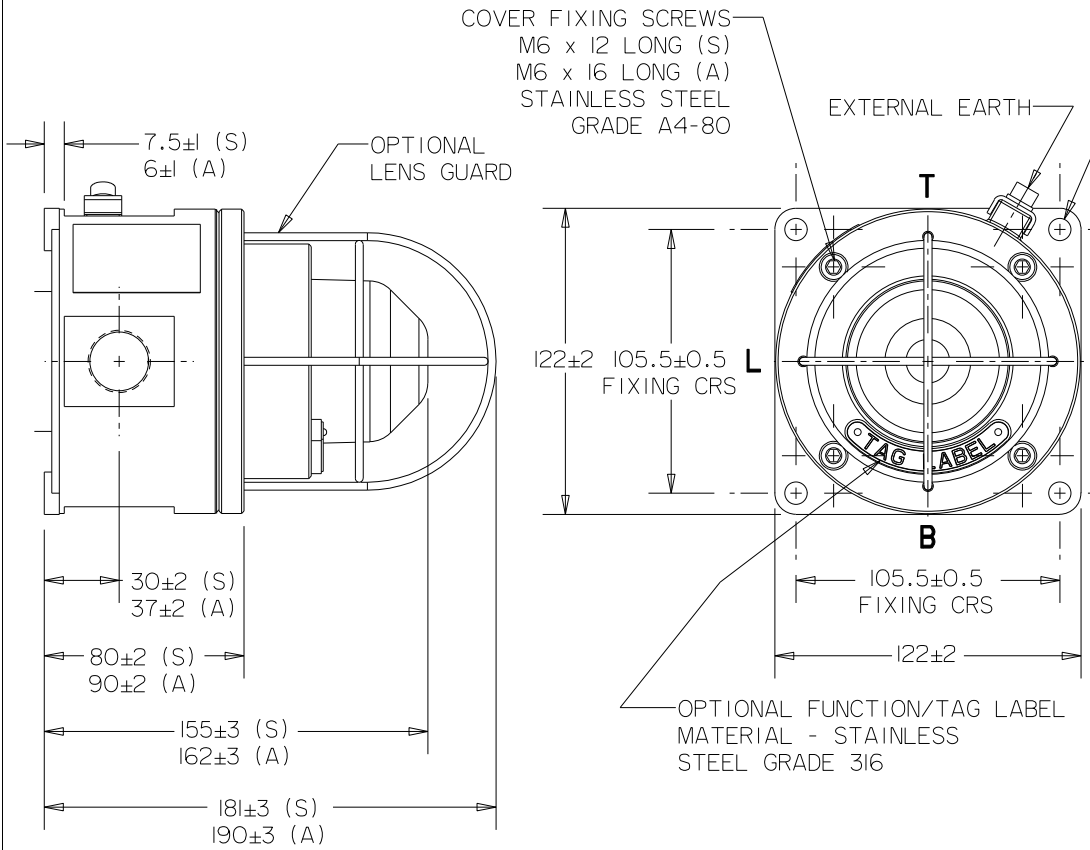
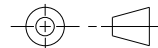


DO NOT SCALE



1. TYPE SM87HXB/LUI/LU3/XB/LED
2. CERTIFICATION DETAILS:
ATEX: Baseefa03ATEX0222 - II 2 GD IIC T* Gb
Ex tb IIIC T** Db IP66/67
IECEX: IECEX BAS 09.0059 - Ex d IIC T* Gb
Ex tb IIIC T** Db IP66/67
3. AMBIENT TEMPERATURE RANGE:
HXB - T5 (T95°C) -55°C to +70°C
LUI - T6 (T85°C) -55°C to +55°C
LU3 (UP TO 10W) - T5 (T100°C) -55°C to +70°C
LU3 (11W TO 25W) - T4 (T130°C) -55°C to +55°C
LU3 (26W TO 40W) - T3 (T155°C) -55°C to +55°C
LED - T6 (T70°C) -55°C to +55°C
4. MATERIAL: STAINLESS STEEL (S) GRADE 316 / ANC 4B
TO BS3146:1975
ALUMINIUM ALLOY (A) GRADE LM25TF
TO BS1490:1998
5. WEIGHT: (S) 3.8 ±0.3 Kg
(A) 2.5 ±0.3 Kg
6. TERMINALS ARE SUITABLE FOR UP TO 1.5mm² CABLE
7. FUNCTION / TAG LABEL LETTER SIZE 5mm MAX.
8. CABLE ENTRIES: UP TO M25 IN POSITIONS 'T', 'B', 'L' & 'R'
MAXIMUM THREE POSITIONS ON LUI AC UNITS



Cooper MEDC Ltd, Unit B, Sutton Parkway,
Oddicroft Lane, Sutton-in-Ashfield,
Nottinghamshire, NG17 5FB, U.K.
Tel: +44 (0) 1623 444400
web: www.coopermedc.com

DESIGNERS & MANUFACTURERS
OF ELECTRICAL & ELECTRONIC
EQUIPMENT & SYSTEMS FOR
HAZARDOUS AREAS

ISSUES	C.20-03-15.DW	ALL DIMENSIONS ARE IN MILLIMETRES UNLESS OTHERWISE STATED	THIS DRAWING IS CONFIDENTIAL AND IS THE PROPERTY OF MEDC AND MUST NOT BE REPRODUCED EITHER WHOLLY OR PARTLY. ALL RIGHTS IN RESPECT OF PATENTS, DESIGNS AND COPYRIGHT ARE RESERVED	DRAWN BY: P.FISHWICK	DATE: 24-01-11	TITLE SM87 BEACON RANGE CUSTOMER GA ATEX AND IECEX	
		REMOVE ALL BURRS AND SHARP CORNERS		CHECKED BY: M.SLACK	DATE: 24-01-11		
		MACHINE SYMBOLS THIS <input checked="" type="checkbox"/>		APPROVED BY: P.FISHWICK	DATE: 24-01-11		
				SCALE: A 4	SIZE: A 4	DRG No. 562-854	ISSUE C