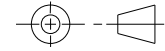
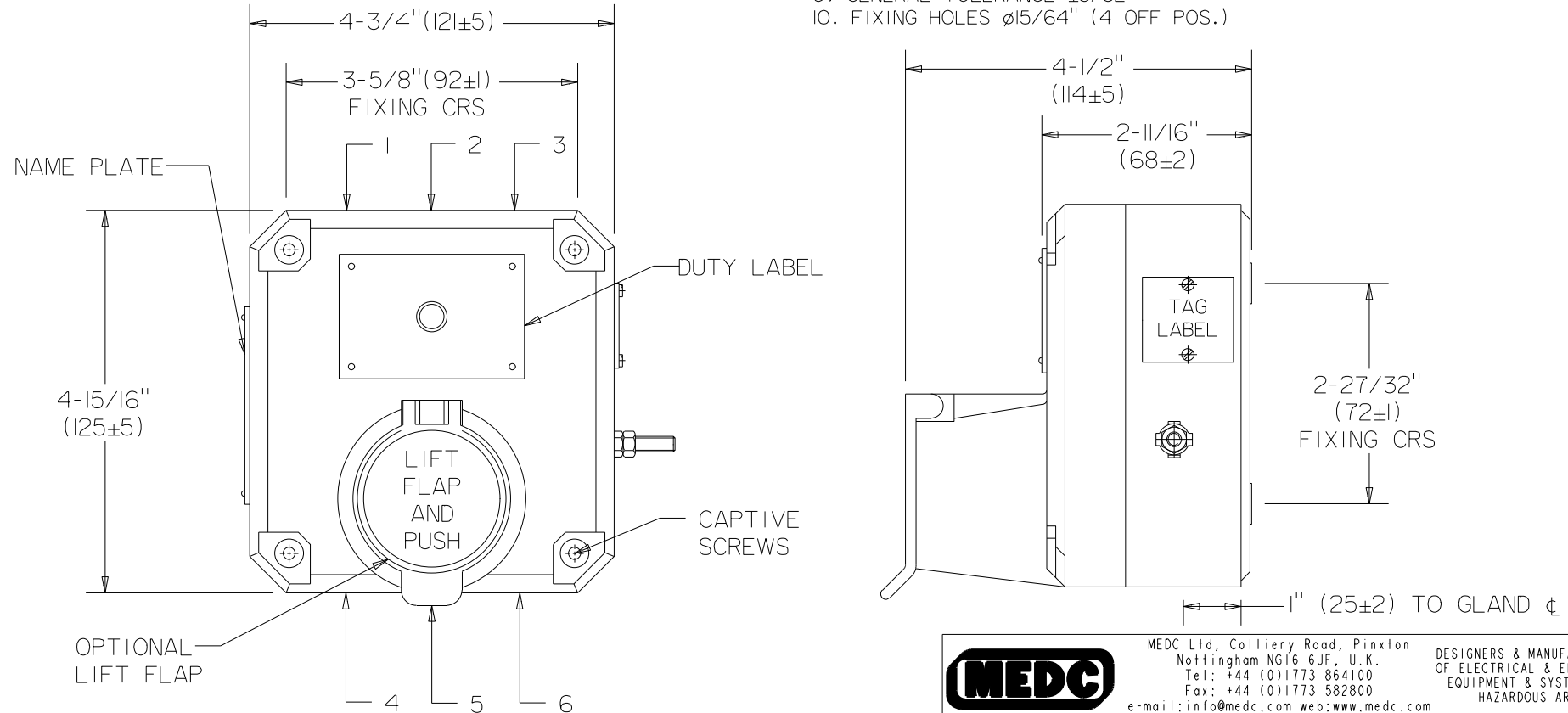


1. TYPE: PB
2. UL LISTING NO. E186629, CLASS 1, DIV.2, GROUPS A,B,C,D
AMBIENT TEMP. -13°F TO +131°F (-25°C TO +55°C)
3. WEIGHT:- 2.6 LBS (1.2KG) APPROX.
4. MATERIAL:- GLASS REINFORCED POLYESTER
5. IDENTITY/TAG LABEL LETTER SIZE 3/16" (5±2) MAX.
6. TERMINALS SUITABLE FOR UP TO 14 AWG

DO NOT SCALE



7. UP TO 4 OFF 1/2"NPT ENTRIES AVAILABLE
8. UL LISTED SEALANT TO BE APPLIED TO ALL CLANDS & BLANKING PLUGS
9. GENERAL TOLERANCE ±3/32"
10. FIXING HOLES ø15/64" (4 OFF POS.)



MEDC Ltd, Colliery Road, Pinxton
Nottingham NG16 6JF, U.K.
Tel: +44 (0)1773 864100
Fax: +44 (0)1773 582800
e-mail: info@medc.com web:www.medc.com

DESIGNERS & MANUFACTURERS
OF ELECTRICAL & ELECTRONIC
EQUIPMENT & SYSTEMS FOR
HAZARDOUS AREAS

ISSUES	B. 08-01-01 MDS	ALL DIMENSIONS ARE IN MILLIMETRES UNLESS OTHERWISE STATED	THIS DRAWING IS CONFIDENTIAL AND IS THE PROPERTY OF MEDC AND MUST NOT BE REPRODUCED EITHER WHOLLY OR PARTLY. ALL RIGHTS IN RESPECT OF PATENTS, DESIGNS AND COPYRIGHT ARE RESERVED	DRAWN BY: M. SELDEN	DATE: 14/08/00	TITLE PB MANUAL CALL POINT CUSTOMER GA UL VERSION
	C. 21-03-01 PF			CHECKED BY: G.HODGKINSON	DATE: 14/08/00	
	D. 23-05-07 PF			APPROVED BY: M. SELDEN	DATE: 14/08/00	
				REMOVE ALL BURRS AND SHARP CORNERS	SCALE: NTS	SIZE: A4
	MACHINE SYMBOLS THUS <input checked="" type="checkbox"/>					