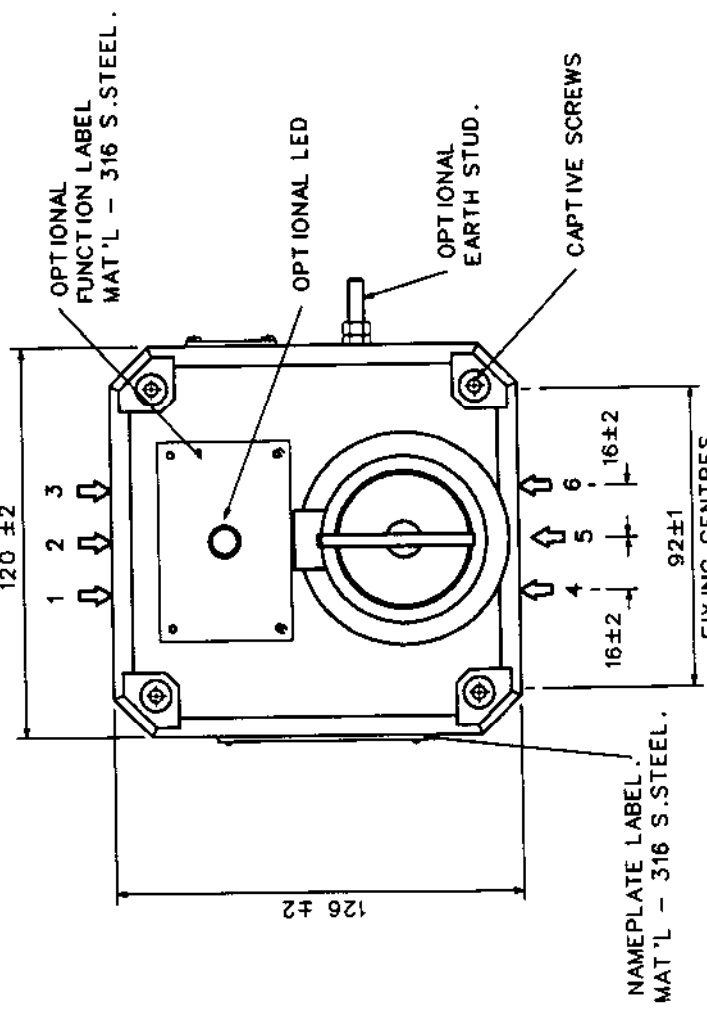
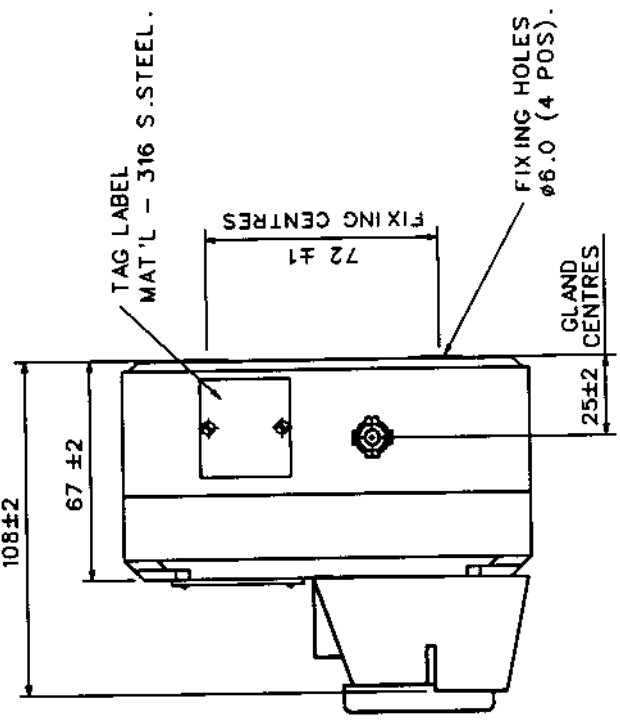


DO NOT SCALE

- 6/ NAMEPLATE LABEL LETTER SIZE 3mm MAX.
- 7/ TAG LABEL LETTER SIZE 5mm MAX.
- 8/ TERMINALS SUITABLE FOR UP TO 2.5mm SQ CABLE AS STANDARD, OR SUITABLE FOR UP TO 4.0mm SQ. CABLE AVAILABLE ON REQUEST.
- 9/ CABLE ENTRIES AVAILABLE AT "1" "2" "3" "4" "5" & "6". A MAXIMUM OF TWO ENTRIES PER FACE IN POSITIONS 1&3 OR 4&6.

- 1/ TYPE PBE.I.W TURN & PUSH
- 2/ CERTIFICATION No. PBE :- BASEEFA Ex93C3052X
EEx emd II T4 OR EEx ed II T6.
PBI :- BASEEFA Ex90C2373 EEx ia IIC T4. OR
PBW :- INDUSTRIAL.
- 3/ WEIGHT 1.3kg ±0.2
- 4/ MATERIAL :- BLACK GLASS FILLED POLYESTER.
- 5/ FUNCTION LABEL LETTER SIZE 5mm MAX.
120 ±2



DESIGNER & MANUFACTURERS
OF ELECTRICAL & ELECTRONIC
EQUIPMENT & SYSTEMS FOR
HAZARDOUS AREAS

NECC, GENEVA ROAD, BRIGHAM,
MIDLANDS, U.K.
Tel: +44 (0)1773 012349
Fax: +44 (0)1773 590282

DESIGNED BY: S. HUNT
DRAWN BY: S. HUNT
CHECKED BY: S. HUNT
DATE: 15-9-00

THIS DRAWING IS CONFIDENTIAL
PROPERTY OF MEDIC
AND MUST NOT BE REPRODUCED
EITHER WHOLLY OR PARTLY
WITHOUT THE WRITTEN
CONSENT OF MEDIC.
ALL RIGHTS IN RESPECT OF
PATENTS, DESIGNS AND
COPYRIGHT ARE RESERVED

ALL DIMENSIONS ARE
IN MILLIMETRES UNLESS
OTHERWISE STATED

REMOVE ALL BARRIERS
AND SHARP EDGES

MACHINE SYMBOLS THIS
µm

CUSTOMER GENERAL
ARRANGEMENT
PBE.I.W TURN & PUSH

DATE: 20-09-00
SCALE: A2
ISSUE: A

NO.	DATE	ISSUE
1	20-09-00	A