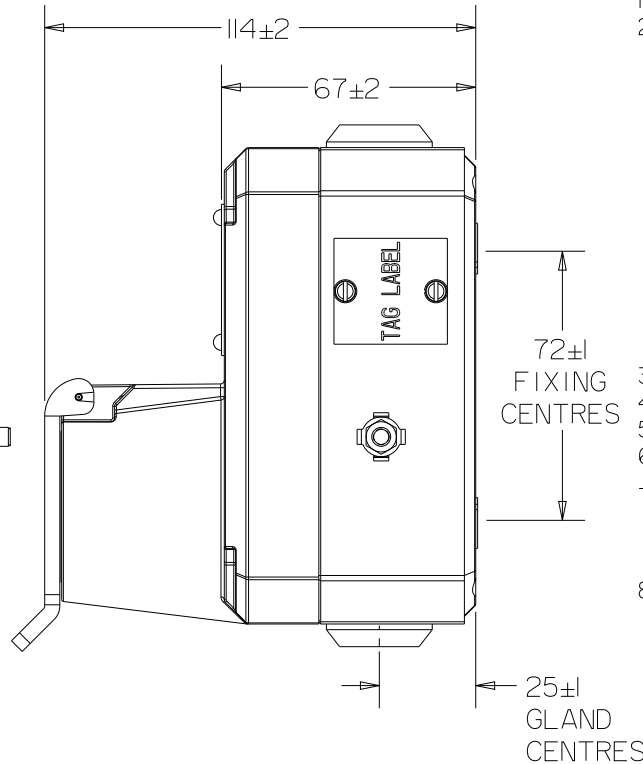
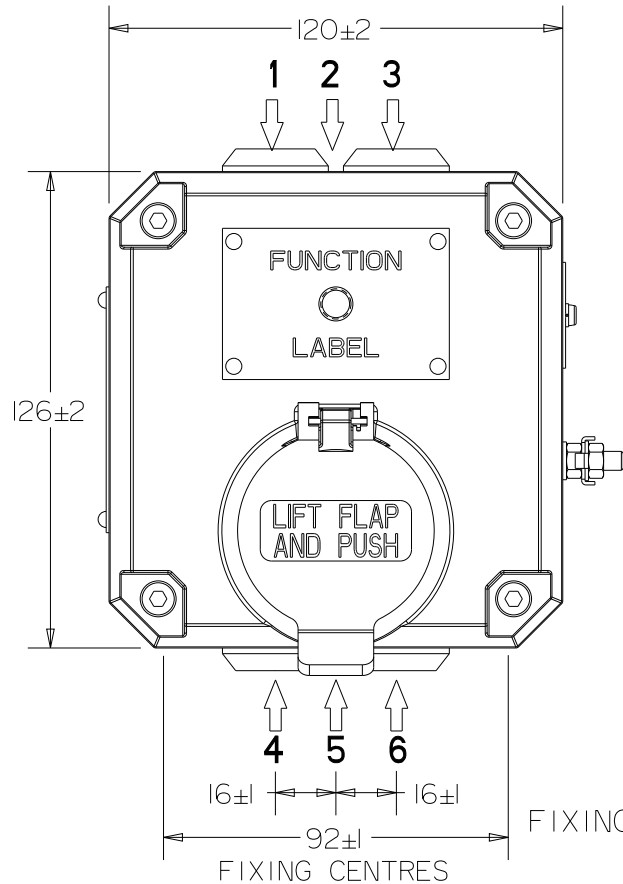
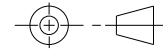


DO NOT SCALE



FIXING HOLES: $\phi 6.0\text{mm}$ (4 POSITIONS)

1. TYPE PBE/1/W
2. CERTIFICATION:
 - PBE:
 - ATEX: Baseefa02ATEX2105X
II 2 GD Ex de IIC T6 Gb (-40°C to +70°C)
Ex tb IIIC T6 Db (-40°C to +70°C)
 - PBI:
 - ATEX: Baseefa03ATE0084X
II 1 GD Ex ia IIC T4 Ga (-40°C to +70°C)
Ex ia IIIC T4 Da (-40°C to +70°C)
 - IECEX: IECEX BAS I2.0093X
Ex ia IIC T4 Ga (-40°C to +70°C)
Ex ia IIIC T4 Da (-40°C to +70°C)
 - PBW: INDUSTRIAL
3. WEIGHT: 1.3 $\pm 0.2\text{Kg}$
4. MATERIAL: GLASS REINFORCED POLYESTER
5. FUNCTION LABEL LETTER SIZE 5mm MAX.
6. TAG LABEL LETTER SIZE 5mm MAX.
7. TERMINAL SUITABLE FOR UP TO 2.5MM² CABLE
AS STANDARD OR SUITABLE FOR UP TO 4MM² CABLE ON REQUEST
8. CABLE ENTRIES AVAILABLE AT POSITIONS '1', '2', '3', '4', '5' & '6'. A MAXIMUM OF TWO ENTRIES PER FACE IN POSITION 1 & 3 OR 4 & 6

MEDC Cooper MEDC Ltd, Unit B, Sutton Parkway, Oddicroft Lane, Sutton-in-Ashfield, Nottinghamshire, NG17 5FB, U.K.
Tel: +44 (0) 1623 444400
web: www.coopermedc.com

DESIGNERS & MANUFACTURERS OF ELECTRICAL & ELECTRONIC EQUIPMENT & SYSTEMS FOR HAZARDOUS AREAS

ISSUES	ALL DIMENSIONS ARE IN MILLIMETRES UNLESS OTHERWISE STATED	THIS DRAWING IS CONFIDENTIAL AND IS THE PROPERTY OF MEDC AND MUST NOT BE REPRODUCED EITHER WHOLLY OR PARTLY. ALL RIGHTS IN RESPECT OF PATENTS, DESIGNS AND COPYRIGHT ARE RESERVED	DRAWN BY:	DATE:	TITLE	
	REMOVE ALL BURRS AND SHARP CORNERS		P.FISHWICK	16-07-13		
	MACHINE SYMBOLS THUS <input checked="" type="checkbox"/>		CHECKED BY:	DATE:	DRG No.	ISSUE
			D.COATES	16-07-13		
			APPROVED BY:	DATE:		
			P.FISHWICK	16-07-13		
			SCALE:	SIZE:		
				A4		