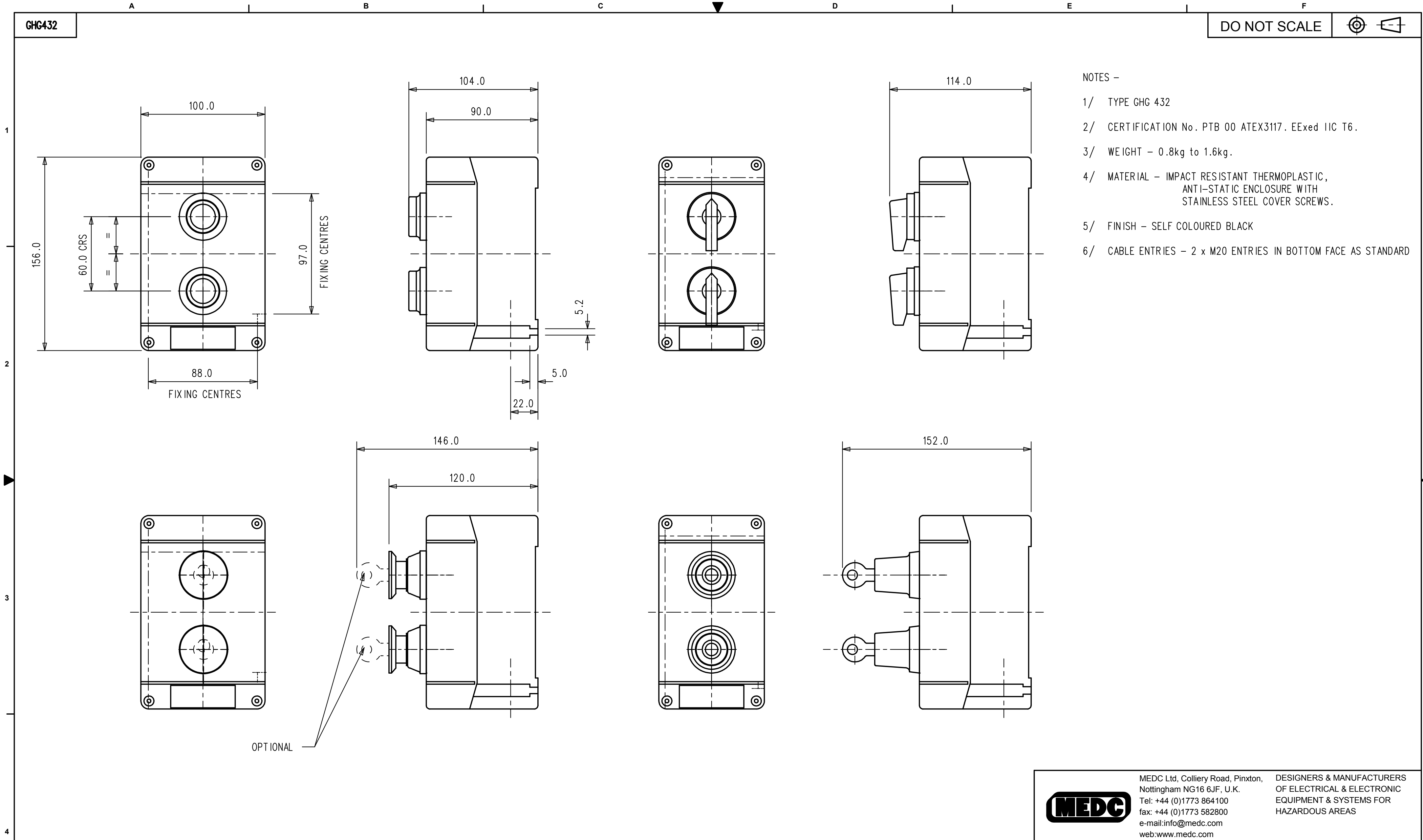
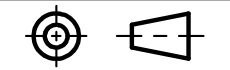


GHG432

DO NOT SCALE



NOTES -

- 1/ TYPE GHG 432
- 2/ CERTIFICATION No. PTB 00 ATEX3117. EExed IIC T6.
- 3/ WEIGHT - 0.8kg to 1.6kg.
- 4/ MATERIAL - IMPACT RESISTANT THERMOPLASTIC, ANTI-STATIC ENCLOSURE WITH STAINLESS STEEL COVER SCREWS.
- 5/ FINISH - SELF COLOURED BLACK
- 6/ CABLE ENTRIES - 2 x M20 ENTRIES IN BOTTOM FACE AS STANDARD



MEDC Ltd, Colliery Road, Pinxton,
Nottingham NG16 6JF, U.K.
Tel: +44 (0)1773 864100
fax: +44 (0)1773 582800
e-mail: info@medc.com
web: www.medc.com

DESIGNERS & MANUFACTURERS
OF ELECTRICAL & ELECTRONIC
EQUIPMENT & SYSTEMS FOR
HAZARDOUS AREAS

ISSUES

ALL DIMENSIONS ARE
IN MILLIMETRES UNLESS
OTHERWISE STATED

REMOVE ALL BURRS
AND SHARP EDGES

MACHINE
SYMBOLS THUS μm

THIS DRAWING IS CONFIDENTIAL
AND IS THE PROPERTY OF MEDC
AND MUST NOT BE REPRODUCED
EITHER WHOLLY OR PARTLY.
ALL RIGHTS IN RESPECT OF
PATENTS, DESIGNS AND
COPYRIGHT ARE RESERVED.

DRAWN BY: S. OATES	DATE: 11-07-08	TITLE GHG432 RANGE OF ENCLOSURES	SHT. 1 OF 1
CHECKED BY: J. WHITE	DATE: 14-07-08		
APPROVED BY: B. TAYLOR	DATE: 14-07-08		
SCALE: 1-2	SIZE A2	DRG No. GHG432	ISSUE A