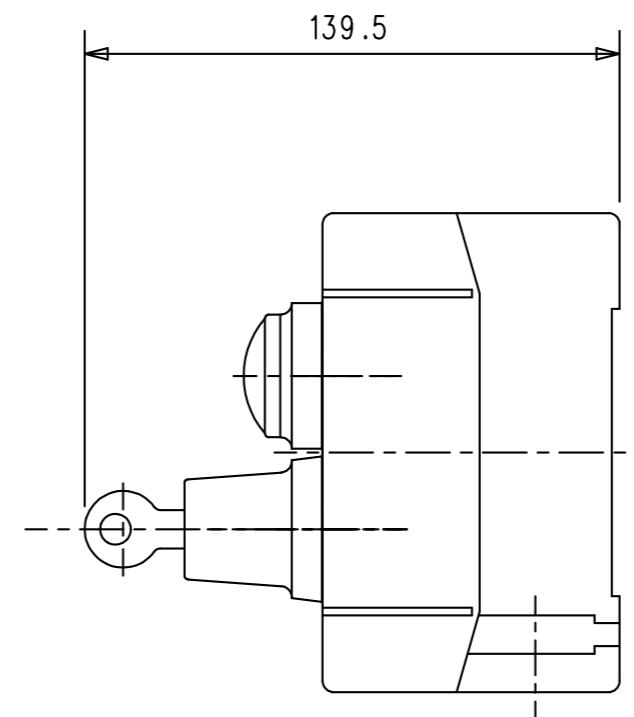
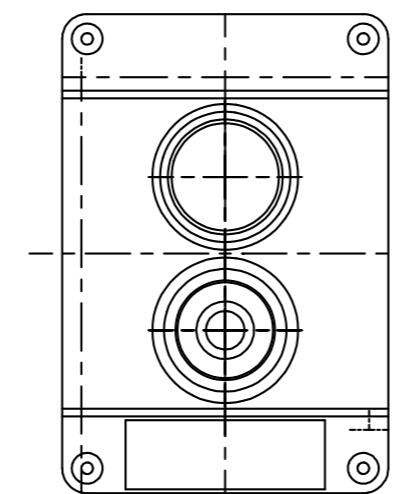
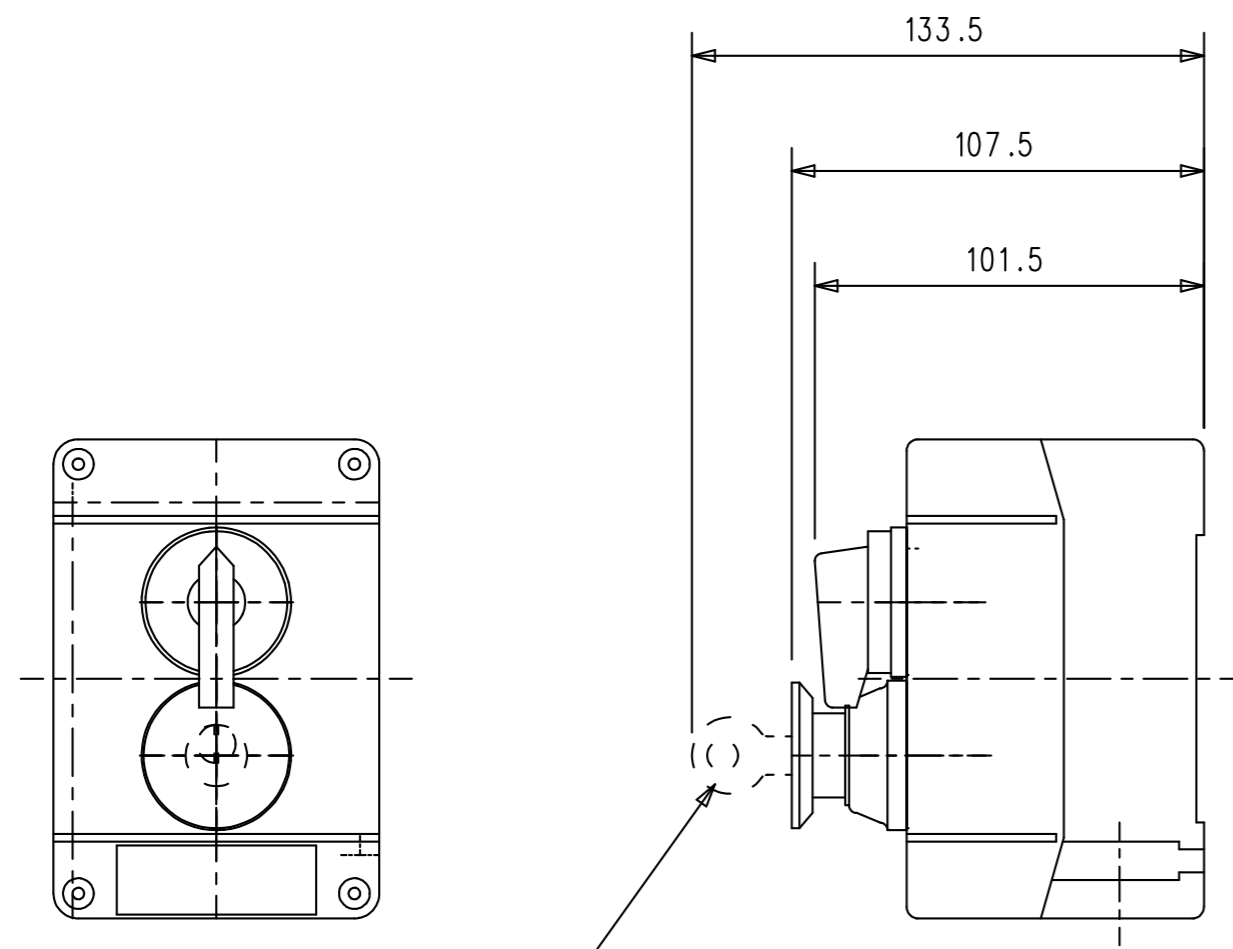
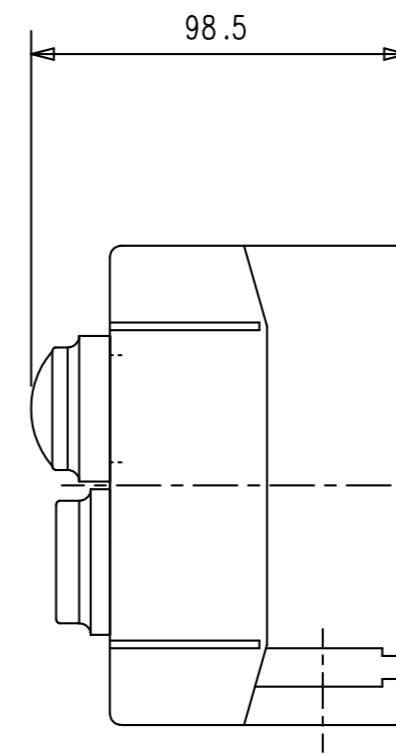
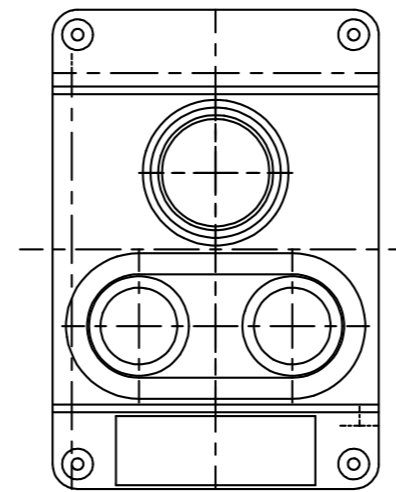
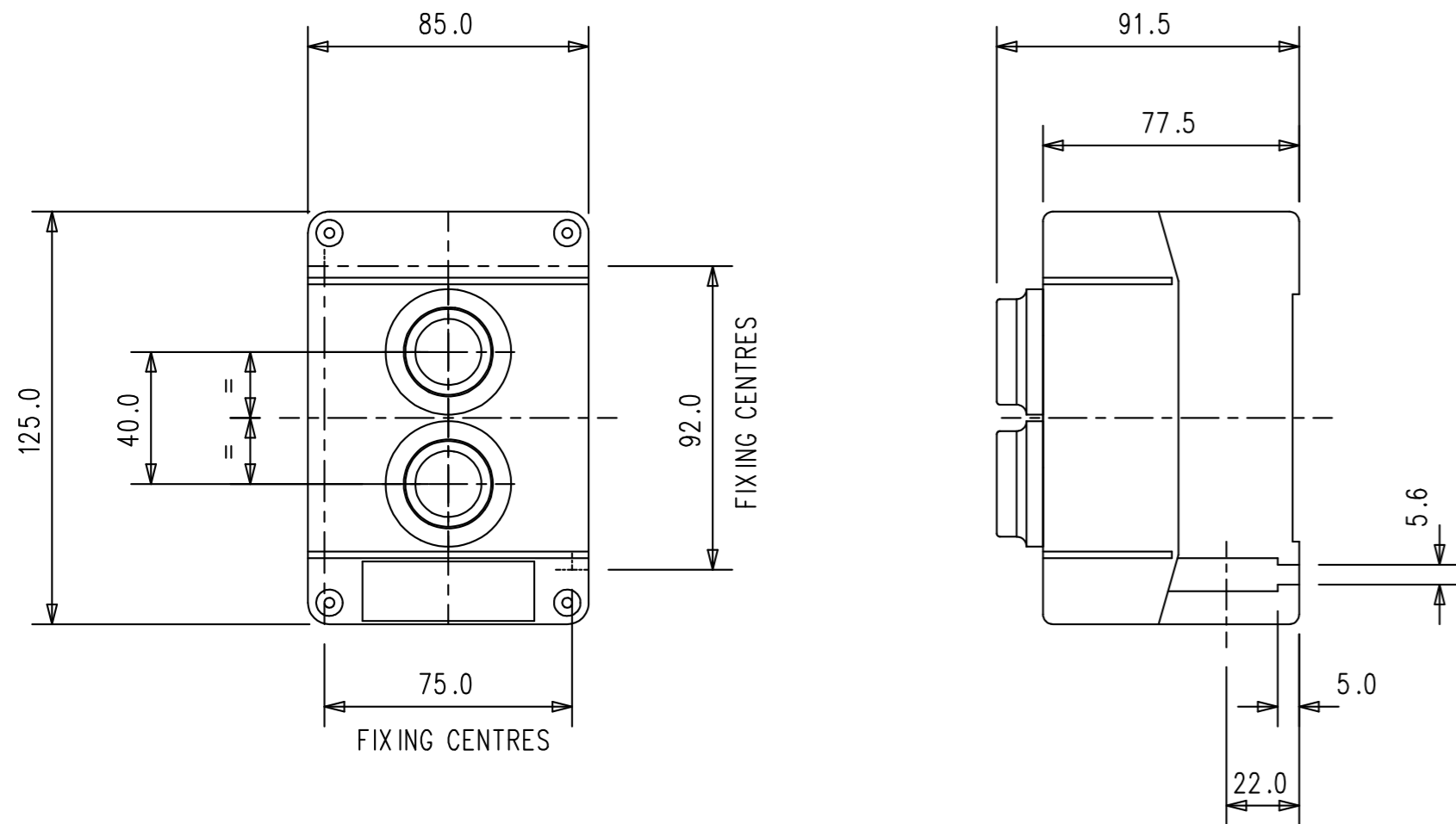


NOTES -

- 1/ TYPE GHG 411
- 2/ CERTIFICATION No. PTB 00 ATEX3117. EExed IIC T6.
- 3/ WEIGHT - 0.5kg to 1.3kg.
- 4/ MATERIAL - IMPACT RESISTANT THERMOPLASTIC, ANTI-STATIC ENCLOSURE WITH STAINLESS STEEL COVER SCREWS.
- 5/ FINISH - SELF COLOURED BLACK
- 6/ CABLE ENTRIES - 1 x 20mm ENTRY BOTTOM AS STANDARD
2 x 20mm ENTRIES IN BOTTOM FACE AVAILABLE VIA BRASS GLAND CONTINUITY PLATE.
- 7/ INTERNAL RESISTOR BLOCKS AVAILABLE OPTION, REPLACING 1 COMPONENT POSITION.



MEDC	MEDC Ltd, Colliery Road, Pinxton, Nottingham NG16 6JF, U.K. Tel: +44 (0)1773 864100 fax: +44 (0)1773 582800 e-mail: info@medc.com web: www.medc.com		DESIGNERS & MANUFACTURERS OF ELECTRICAL & ELECTRONIC EQUIPMENT & SYSTEMS FOR HAZARDOUS AREAS

ISSUES	ALL DIMENSIONS ARE IN MILLIMETRES UNLESS OTHERWISE STATED	THIS DRAWING IS CONFIDENTIAL AND IS THE PROPERTY OF MEDC AND MUST NOT BE REPRODUCED EITHER WHOLLY OR PARTLY. ALL RIGHTS IN RESPECT OF PATENTS, DESIGNS AND COPYRIGHT ARE RESERVED.	DRAWN BY: S. OATES	DATE: 08-10-07	TITLE GHG411-82 RANGE OF ENCLOSURES	SHT. 1 OF 1
	REMOVE ALL BURRS AND SHARP EDGES		CHECKED BY: J. WHITE	DATE: 16-02-09		
	MACHINE SYMBOLS THUS \checkmark μ m		APPROVED BY: B. TAYLOR	DATE: 16-02-09		
			SCALE: 1-2	SIZE: A2	DRG No. GHG411-82	ISSUE: A