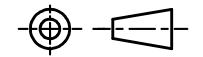


DO NOT SCALE



1/ TYPE DB7

2/ CERTIFICATION No. BASEEFA BAS00ATEX1260 (APPARATUS)

Ex96D2362 (SYSTEM)  
Ex II 1 G EE x ia IIC T4  
OR  
Ex II 1 G EE x ia IIB T4

3/ WEIGHT:- 1.0 ±0.1kg

4/ MATERIAL:- GLASS REINFORCED POLYESTER

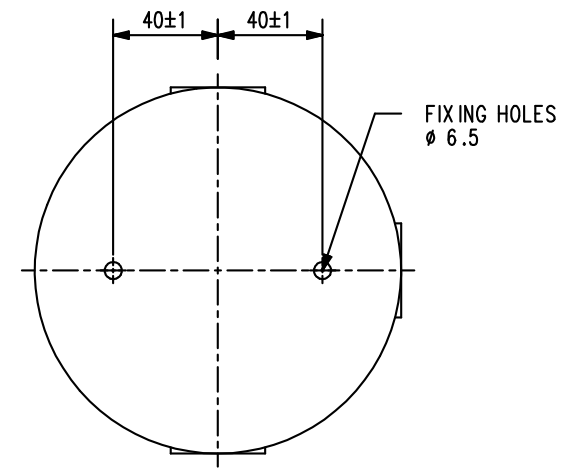
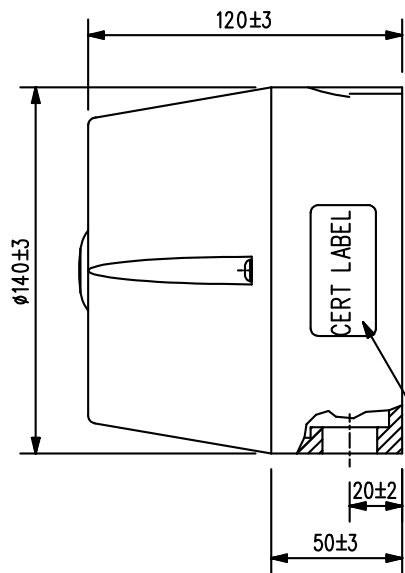
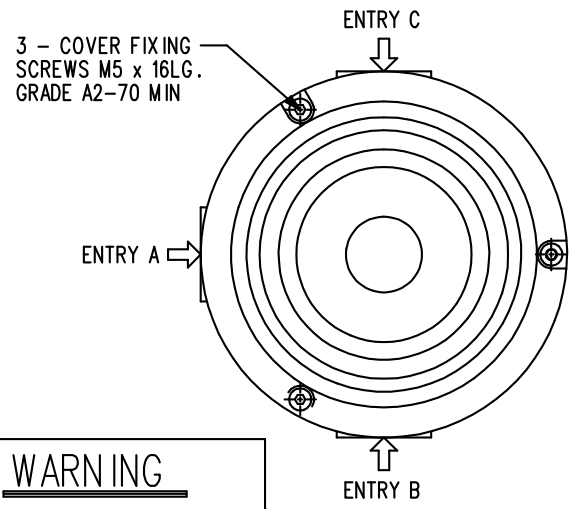
5/ SELF ADHESIVE TAG LABEL, LETTER SIZE 5mm MAX

6/ SELF ADHESIVE DUTY LABEL, LETTER SIZE 5mm MAX

7/ TERMINALS SUITABLE FOR UP TO 2.5mm SQ CABLE

8/ CABLE ENTRIES AVAILABLE AT "A" "B" AND "C" VIA KNOCKOUTS.

CELL NO. J



CERTIFICATION LABEL MATERIAL - 316 S.STEEL

**WARNING**  
THIS DRAWING RELATES TO A CERTIFIED PRODUCT.  
NO MODIFICATIONS PERMITTED WITHOUT THE AUTHORISATION OF THE TECHNICAL MANAGER

**CURRENT PRODUCTION COPY**



MEDC, Colliery Road, Pinxton, Nottingham NG16 6JF, U.K.  
Tel: +44 (0)1773 812249  
fax: +44 (0)1773 580282

DESIGNERS & MANUFACTURERS OF ELECTRICAL & ELECTRONIC EQUIPMENT & SYSTEMS FOR HAZARDOUS AREAS

ISSUES	ALL DIMENSIONS ARE IN MILLIMETRES UNLESS OTHERWISE STATED	THIS DRAWING IS CONFIDENTIAL AND IS THE PROPERTY OF MEDC AND MUST NOT BE REPRODUCED EITHER WHOLLY OR PARTLY. ALL RIGHTS IN RESPECT OF PATENTS, DESIGNS AND COPYRIGHT ARE RESERVED.	DRAWN BY: D.HAGIN	DATE: 18-04-01	TITLE DB7 ATEX GENERAL ARRANGEMENT	
	REMOVE ALL BURRS AND SHARP EDGES		CHECKED BY: M.SELDEN	DATE: 18-04-01		
	MACHINE SYMBOLS THUS		APPROVED BY: D.HAGIN	DATE: 18-04-01		
			SCALE: —	SIZE A4	DRG No. 212-310	ISSUE A