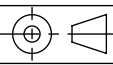


1	2	3	4	5	6																																																																																		
DB3B DC SINGLE STAGE CONFIGURATION <table border="1"> <thead> <tr> <th></th> <th>Ex d</th> <th>Ex de</th> </tr> </thead> <tbody> <tr><td>STAGE 1 +VE IN</td><td>1</td><td>1</td></tr> <tr><td>STAGE 1 -VE IN</td><td>2</td><td>2</td></tr> <tr><td>NOT USED</td><td>3</td><td>3</td></tr> <tr><td>NOT USED</td><td>4</td><td>4</td></tr> <tr><td>STAGE 1 +VE OUT</td><td>5</td><td>1</td></tr> <tr><td>STAGE 1 -VE OUT</td><td>6</td><td>2</td></tr> <tr><td>NOT USED</td><td>7</td><td>3</td></tr> <tr><td>NOT USED</td><td>8</td><td>4</td></tr> </tbody> </table>			Ex d	Ex de	STAGE 1 +VE IN	1	1	STAGE 1 -VE IN	2	2	NOT USED	3	3	NOT USED	4	4	STAGE 1 +VE OUT	5	1	STAGE 1 -VE OUT	6	2	NOT USED	7	3	NOT USED	8	4	DB3B DC DUAL STAGE REVERSE POLARITY CONFIGURATION <table border="1"> <thead> <tr> <th></th> <th>Ex d</th> <th>Ex de</th> </tr> </thead> <tbody> <tr><td>STAGE 1 +VE IN/STAGE 2 -VE IN</td><td>1</td><td>1</td></tr> <tr><td>STAGE 1 -VE IN/STAGE 2 +VE IN</td><td>2</td><td>2</td></tr> <tr><td>NOT USED</td><td>3</td><td>3</td></tr> <tr><td>NOT USED</td><td>4</td><td>4</td></tr> <tr><td>STAGE 1 +VE OUT/STAGE 2 -VE OUT</td><td>5</td><td>1</td></tr> <tr><td>STAGE 1 -VE OUT/STAGE 2 +VE OUT</td><td>6</td><td>2</td></tr> <tr><td>NOT USED</td><td>7</td><td>3</td></tr> <tr><td>NOT USED</td><td>8</td><td>4</td></tr> </tbody> </table>			Ex d	Ex de	STAGE 1 +VE IN/STAGE 2 -VE IN	1	1	STAGE 1 -VE IN/STAGE 2 +VE IN	2	2	NOT USED	3	3	NOT USED	4	4	STAGE 1 +VE OUT/STAGE 2 -VE OUT	5	1	STAGE 1 -VE OUT/STAGE 2 +VE OUT	6	2	NOT USED	7	3	NOT USED	8	4	DB3B DC DUAL STAGE COMMON POSITIVE CONFIGURATION <table border="1"> <thead> <tr> <th></th> <th>Ex d</th> <th>Ex de</th> </tr> </thead> <tbody> <tr><td>COMMON +VE IN</td><td>1</td><td>1</td></tr> <tr><td>STAGE 1 -VE IN</td><td>2</td><td>2</td></tr> <tr><td>NOT USED</td><td>3</td><td>3</td></tr> <tr><td>STAGE 2 -VE IN</td><td>4</td><td>4</td></tr> <tr><td>COMMON +VE OUT</td><td>5</td><td>1</td></tr> <tr><td>STAGE 1 -VE OUT</td><td>6</td><td>2</td></tr> <tr><td>NOT USED</td><td>7</td><td>3</td></tr> <tr><td>STAGE 2 -VE OUT</td><td>8</td><td>4</td></tr> </tbody> </table>			Ex d	Ex de	COMMON +VE IN	1	1	STAGE 1 -VE IN	2	2	NOT USED	3	3	STAGE 2 -VE IN	4	4	COMMON +VE OUT	5	1	STAGE 1 -VE OUT	6	2	NOT USED	7	3	STAGE 2 -VE OUT	8	4	DO NOT SCALE  <u>DB3B DC STANDARD WIRING</u> CURRENT PRODUCTION COPY
	Ex d	Ex de																																																																																					
STAGE 1 +VE IN	1	1																																																																																					
STAGE 1 -VE IN	2	2																																																																																					
NOT USED	3	3																																																																																					
NOT USED	4	4																																																																																					
STAGE 1 +VE OUT	5	1																																																																																					
STAGE 1 -VE OUT	6	2																																																																																					
NOT USED	7	3																																																																																					
NOT USED	8	4																																																																																					
	Ex d	Ex de																																																																																					
STAGE 1 +VE IN/STAGE 2 -VE IN	1	1																																																																																					
STAGE 1 -VE IN/STAGE 2 +VE IN	2	2																																																																																					
NOT USED	3	3																																																																																					
NOT USED	4	4																																																																																					
STAGE 1 +VE OUT/STAGE 2 -VE OUT	5	1																																																																																					
STAGE 1 -VE OUT/STAGE 2 +VE OUT	6	2																																																																																					
NOT USED	7	3																																																																																					
NOT USED	8	4																																																																																					
	Ex d	Ex de																																																																																					
COMMON +VE IN	1	1																																																																																					
STAGE 1 -VE IN	2	2																																																																																					
NOT USED	3	3																																																																																					
STAGE 2 -VE IN	4	4																																																																																					
COMMON +VE OUT	5	1																																																																																					
STAGE 1 -VE OUT	6	2																																																																																					
NOT USED	7	3																																																																																					
STAGE 2 -VE OUT	8	4																																																																																					
DB3B DC DUAL STAGE COMMON NEGATIVE CONFIGURATION <table border="1"> <thead> <tr> <th></th> <th>Ex d</th> <th>Ex de</th> </tr> </thead> <tbody> <tr><td>STAGE 1 +VE IN</td><td>1</td><td>1</td></tr> <tr><td>COMMON -VE IN</td><td>2</td><td>2</td></tr> <tr><td>NOT USED</td><td>3</td><td>3</td></tr> <tr><td>STAGE 2 +VE IN</td><td>4</td><td>4</td></tr> <tr><td>STAGE 1 +VE OUT</td><td>5</td><td>1</td></tr> <tr><td>COMMON -VE OUT</td><td>6</td><td>2</td></tr> <tr><td>NOT USED</td><td>7</td><td>3</td></tr> <tr><td>STAGE 2 +VE OUT</td><td>8</td><td>4</td></tr> </tbody> </table>			Ex d	Ex de	STAGE 1 +VE IN	1	1	COMMON -VE IN	2	2	NOT USED	3	3	STAGE 2 +VE IN	4	4	STAGE 1 +VE OUT	5	1	COMMON -VE OUT	6	2	NOT USED	7	3	STAGE 2 +VE OUT	8	4	DB3B DC TRIPLE STAGE COMMON NEGATIVE CONFIGURATION <table border="1"> <thead> <tr> <th></th> <th>Ex d</th> <th>Ex de</th> </tr> </thead> <tbody> <tr><td>STAGE 2 +VE IN</td><td>1</td><td>1</td></tr> <tr><td>STAGE 3 +VE IN</td><td>2</td><td>2</td></tr> <tr><td>STAGE 1 +VE IN</td><td>3</td><td>3</td></tr> <tr><td>COMMON -VE IN</td><td>4</td><td>4</td></tr> <tr><td>STAGE 2 +VE OUT</td><td>5</td><td>1</td></tr> <tr><td>STAGE 3 +VE OUT</td><td>6</td><td>2</td></tr> <tr><td>STAGE 1 +VE OUT</td><td>7</td><td>3</td></tr> <tr><td>COMMON -VE OUT</td><td>8</td><td>4</td></tr> </tbody> </table>			Ex d	Ex de	STAGE 2 +VE IN	1	1	STAGE 3 +VE IN	2	2	STAGE 1 +VE IN	3	3	COMMON -VE IN	4	4	STAGE 2 +VE OUT	5	1	STAGE 3 +VE OUT	6	2	STAGE 1 +VE OUT	7	3	COMMON -VE OUT	8	4	DB3B DC DUAL STAGE COMMON POSITIVE CONFIGURATION WITH MONITORING <table border="1"> <thead> <tr> <th></th> <th>Ex d</th> <th>Ex de</th> </tr> </thead> <tbody> <tr><td>COMMON +VE IN / M1 IN</td><td>1</td><td>1</td></tr> <tr><td>STAGE 1 -VE IN</td><td>2</td><td>2</td></tr> <tr><td>M2 IN</td><td>3</td><td>3</td></tr> <tr><td>STAGE 2 -VE IN</td><td>4</td><td>4</td></tr> <tr><td>COMMON +VE OUT / M1 OUT</td><td>5</td><td>1</td></tr> <tr><td>STAGE 1 -VE OUT</td><td>6</td><td>2</td></tr> <tr><td>M2 OUT</td><td>7</td><td>3</td></tr> <tr><td>STAGE 2 -VE OUT</td><td>8</td><td>4</td></tr> </tbody> </table>			Ex d	Ex de	COMMON +VE IN / M1 IN	1	1	STAGE 1 -VE IN	2	2	M2 IN	3	3	STAGE 2 -VE IN	4	4	COMMON +VE OUT / M1 OUT	5	1	STAGE 1 -VE OUT	6	2	M2 OUT	7	3	STAGE 2 -VE OUT	8	4	MONITORING FUNCTIONALITY IS OBTAINED WHEN THE SUPPLY IS CONNECTED ACROSS M1 & M2. NOTE: MONITORED TERMINALS ARE NOT POLARITY DEPENDENT
	Ex d	Ex de																																																																																					
STAGE 1 +VE IN	1	1																																																																																					
COMMON -VE IN	2	2																																																																																					
NOT USED	3	3																																																																																					
STAGE 2 +VE IN	4	4																																																																																					
STAGE 1 +VE OUT	5	1																																																																																					
COMMON -VE OUT	6	2																																																																																					
NOT USED	7	3																																																																																					
STAGE 2 +VE OUT	8	4																																																																																					
	Ex d	Ex de																																																																																					
STAGE 2 +VE IN	1	1																																																																																					
STAGE 3 +VE IN	2	2																																																																																					
STAGE 1 +VE IN	3	3																																																																																					
COMMON -VE IN	4	4																																																																																					
STAGE 2 +VE OUT	5	1																																																																																					
STAGE 3 +VE OUT	6	2																																																																																					
STAGE 1 +VE OUT	7	3																																																																																					
COMMON -VE OUT	8	4																																																																																					
	Ex d	Ex de																																																																																					
COMMON +VE IN / M1 IN	1	1																																																																																					
STAGE 1 -VE IN	2	2																																																																																					
M2 IN	3	3																																																																																					
STAGE 2 -VE IN	4	4																																																																																					
COMMON +VE OUT / M1 OUT	5	1																																																																																					
STAGE 1 -VE OUT	6	2																																																																																					
M2 OUT	7	3																																																																																					
STAGE 2 -VE OUT	8	4																																																																																					
GENERAL NOTES: 1/ THE EXD UNIT REQUIRES THAT THE GLAND BODY PROVIDES UNIT EARTHING. THE STUD PROVIDED ON THE ESA IS FOR LOOP-IN LOOP-OUT PURPOSES ONLY. 2/ THE STUD PROVIDED ON THE EXE CHAMBER MAY BE USED TO PROVIDE UNIT EARTHING IF THE GLAND BODY IS NOT USED. 3/ R1 = EOL RESISTOR (WHERE FITTED). WHEN SPECIFIED, R1 IS SUPPLIED AS STANDARD CONNECTED TO TERMINALS 5 & 6 AS SHOWN. RE-POSITION EOL AS REQUIRED FOR OTHER CONFIGURATIONS.																																																																																							
<div style="display: flex; justify-content: space-between; align-items: center;"> <div style="border: 2px solid black; padding: 5px; font-weight: bold; font-size: 24px;">MEDC</div> <div style="text-align: right; font-size: 10px;"> COOPER MEDC Ltd. UNIT B, SUTTON PARKWAY ODDICROFT LANE SUTTON-IN-ASHFIELD, NG17 5FB, U.K. Tel: +44 (0)1623 444400 Web: WWW.COOPERMEDC.COM </div> <div style="text-align: right; font-size: 10px;"> DESIGNERS & MANUFACTURERS OF ELECTRICAL & ELECTRONIC EQUIPMENT & SYSTEMS FOR HAZARDOUS AREAS </div> </div>																																																																																							
ISSUES	GENERAL TOLERANCES UOS LINEAR: ±0.25 ANGULAR: ±0.5° SURFACE FINISH: $\sqrt{3.2}$	ALL DIMENSIONS ARE IN MILLIMETRES UNLESS OTHERWISE STATED REMOVE ALL BURRS AND SHARP CORNERS MACHINE SYMBOLS THUS \checkmark	THIS DRAWING IS CONFIDENTIAL AND IS THE PROPERTY OF MEDC AND MUST NOT BE REPRODUCED EITHER WHOLLY OR PARTLY. ALL RIGHTS IN RESPECT OF PATENTS, DESIGNS AND COPYRIGHT ARE RESERVED	DRAWN BY: P.FISHWICK CHECKED BY: D.COATES APPROVED BY: P.FISHWICK SCALE: 1:1	DATE: 06/09/2014 DATE: 06/09/2014 DATE: 06/09/2014 TITLE: DB3B SOUNDER STANDARD CUSTOMER WIRING WITH DC MONITORING DWG NO. 419-202 REVISION A																																																																																		
1	2	3	4	5	6																																																																																		

A

B

C

D

SHT 1 OF 4

**DB3B DC TRIPLE STAGE
COMMON POSITIVE CONFIGURATION**

	Ex d	Ex de
COMMON +VE IN	1	1
STAGE 1 -VE IN	2	2
STAGE 3 -VE IN	3	3
STAGE 2 -VE IN	4	4
COMMON +VE OUT	5	1
STAGE 1 -VE OUT	6	2
STAGE 3 -VE OUT	7	3
STAGE 2 -VE OUT	8	4

**DB3B DC DUAL STAGE
COMMON NEGATIVE CONFIGURATION
WITH MONITORING**

	Ex d	Ex de
STAGE 2 +VE IN	1	1
M1 IN	2	2
STAGE 1 +VE IN	3	3
COMMON -VE / M2 IN	4	4
STAGE 2 +VE OUT	5	1
M1 OUT	6	2
STAGE 1 +VE OUT	7	3
COMMON -VE / M2 OUT	8	4

DO NOT SCALE 

MONITORING FUNCTIONALITY IS OBTAINED WHEN THE SUPPLY IS CONNECTED ACROSS M1 & M2.
NOTE: MONITORED TERMINALS ARE NOT POLARITY DEPENDENT

**DB3B DC
ALTERNATIVE CONFIGURATION
WIRING**

**CURRENT
PRODUCTION
COPY**



COOPER MEDC Ltd.
UNIT B, SUTTON PARKWAY
ODDICROFT LANE
SUTTON-IN-ASHFIELD, NG17 5FB. U.K.
Tel: +44 (0)1623 444400
Web: WWW.COOPERMEDC.COM

DESIGNERS & MANUFACTURERS
OF ELECTRICAL & ELECTRONIC
EQUIPMENT & SYSTEMS
FOR HAZARDOUS
AREAS

ISSUES

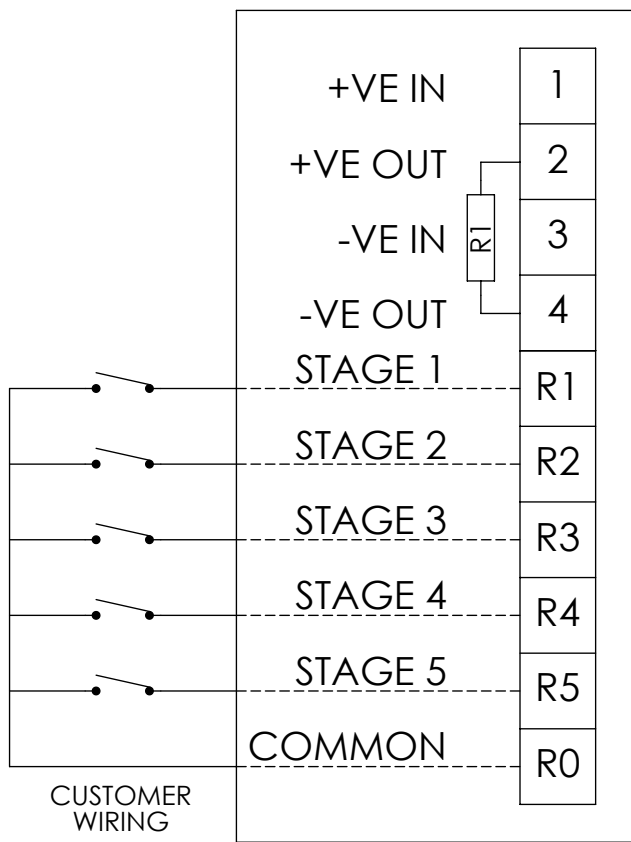
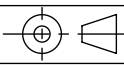
GENERAL TOLERANCES UOS
LINEAR: ±0.25
ANGULAR: ±0.5°
SURFACE FINISH: $\sqrt{3.2}$

ALL DIMENSIONS ARE IN MILLIMETRES UNLESS OTHERWISE STATED
REMOVE ALL BURRS AND SHARP CORNERS
MACHINE SYMBOLS THUS \checkmark

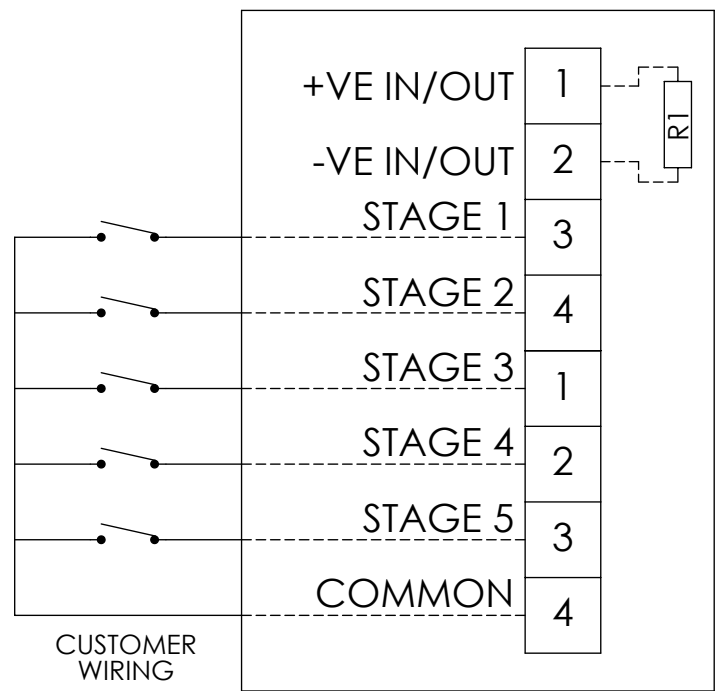
THIS DRAWING IS CONFIDENTIAL AND IS THE PROPERTY OF MEDC AND MUST NOT BE REPRODUCED EITHER WHOLLY OR PARTLY. ALL RIGHTS IN RESPECT OF PATENTS, DESIGNS AND COPYRIGHT ARE RESERVED

DRAWN BY: P.FISHWICK	DATE: 06/09/2014	TITLE: DB3B SOUNDER STANDARD CUSTOMER WIRING WITH DC MONITORING	SHT 2 OF 4
CHECKED BY: D.COATES	DATE: 06/09/2014		
APPROVED BY: P.FISHWICK	DATE: 06/09/2014		
SCALE:1:1	A4	DWG NO. 419-202	REVISION A

DO NOT SCALE



DB3B Ex d CHAMBER



DB3B Ex e CHAMBER

CURRENT PRODUCTION COPY

DB3B DC VOLTAGE-FREE STAGE ACTIVATION WIRING

NOTES:
1/ R1 = EOL RESISTOR (WHERE FITTED). WHEN SPECIFIED, R1 IS SUPPLIED AS STANDARD CONNECTED AS SHOWN. FOR Ex de UNITS, R1 IS POSITIONED WITHIN THE Ex d CHAMBER

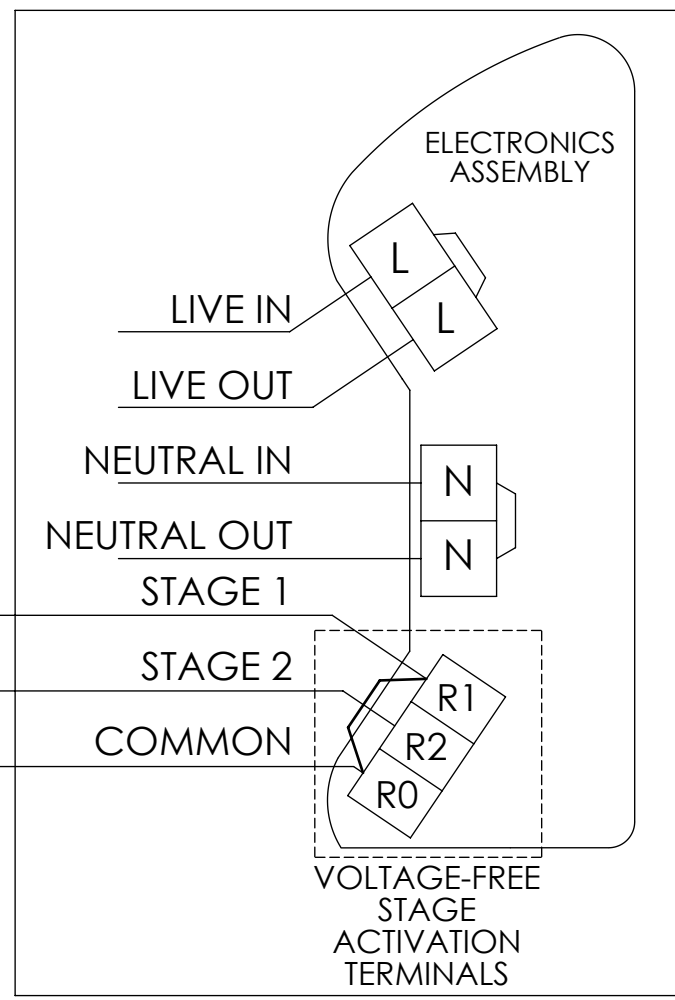
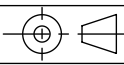


COOPER MEDC Ltd.
UNIT B, SUTTON PARKWAY
ODDICROFT LANE
SUTTON-IN-ASHFIELD, NG17 5FB, U.K.
Tel: +44 (0)1623 444400
Web: WWW.COOPERMEDC.COM

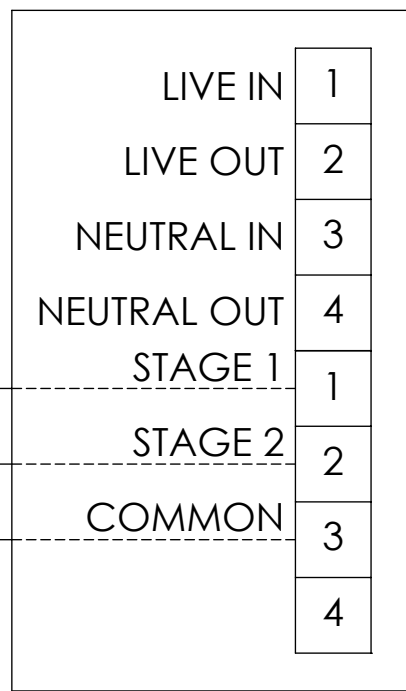
DESIGNERS & MANUFACTURERS
OF ELECTRICAL & ELECTRONIC
EQUIPMENT & SYSTEMS
FOR HAZARDOUS
AREAS

ISSUES	GENERAL TOLERANCES UOS	ALL DIMENSIONS ARE IN MILLIMETRES UNLESS OTHERWISE STATED	THIS DRAWING IS CONFIDENTIAL AND IS THE PROPERTY OF MEDC AND MUST NOT BE REPRODUCED EITHER WHOLLY OR PARTLY. ALL RIGHTS IN RESPECT OF PATENTS, DESIGNS AND COPYRIGHT ARE RESERVED	DRAWN BY: P.FISHWICK	DATE: 14/02/2014	TITLE: DB3B SOUNDER STANDARD CUSTOMER WIRING WITH DC MONITORING	SHT 3 OF 4
	LINEAR: ±0.25	REMOVE ALL BURRS AND SHARP CORNERS		CHECKED BY: D.COATES	DATE: 06/09/2014		
	ANGULAR: ±0.5°	MACHINE SYMBOLS THUS ✓		APPROVED BY: P.FISHWICK	DATE: 06/09/2014		
	SURFACE FINISH: ✓ ³²			SCALE: 1:1	A4	DWG NO. 419-202	

DO NOT SCALE



DB3B Ex d CHAMBER



DB3B Ex e CHAMBER

CURRENT PRODUCTION COPY

DB3B AC STANDARD AND VOLTAGE-FREE STAGE ACTIVATION WIRING



COOPER MEDC Ltd.
 UNIT B, SUTTON PARKWAY
 ODDICROFT LANE
 SUTTON-IN-ASHFIELD, NG17 5FB, U.K.
 Tel: +44 (0)1623 444400
 Web: WWW.COOPERMEDC.COM

DESIGNERS & MANUFACTURERS
 OF ELECTRICAL & ELECTRONIC
 EQUIPMENT & SYSTEMS
 FOR HAZARDOUS
 AREAS

ISSUES	GENERAL TOLERANCES UOS		ALL DIMENSIONS ARE IN MILLIMETRES UNLESS OTHERWISE STATED REMOVE ALL BURRS AND SHARP CORNERS MACHINE SYMBOLS THUS	DRAWN BY: P.FISHWICK	DATE: 14/02/2014	TITLE: DB3B SOUNDER STANDARD CUSTOMER WIRING WITH DC MONITORING	SHT 4 OF 4
	LINEAR: ±0.25 ANGULAR: ±0.5° SURFACE FINISH:			CHECKED BY: D.COATES	DATE: 06/09/2014		
				APPROVED BY: P.FISHWICK	DATE: 06/09/2014		
				SCALE: 1:1	A4	DWG NO. 419-202	

D

D