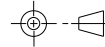


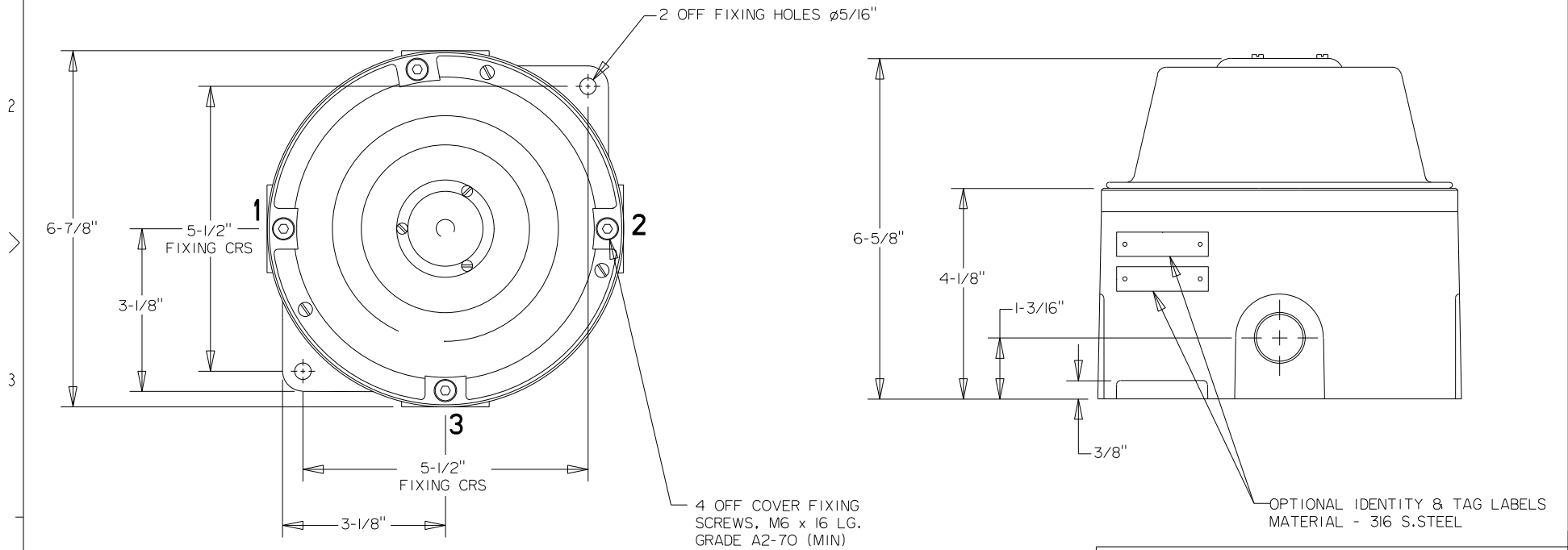
173-392

DO NOT SCALE



1. TYPE DBI
2. UL LISTING NO. E187688, CLASS I, DIV. 1, GROUPS C & D
AMBIENT TEMP. -13°F TO +158°F
3. WEIGHT:- 7.7 LBS APPROX.
4. MATERIAL:- BODY & LID - ALUMINIUM GRADE LM25TF
RE-ENTRANT HORN - POLYCARBONATE

5. IDENTITY/TAG LABELS LETTER SIZE 3/16" MAX.
6. TERMINALS SUITABLE FOR UP TO 14 AWG
7. 1/2" OR 3/4" NPT ENTRIES AVAILABLE AT POS. 1, 2 AND 3
8. UL LISTED SEALANT TO BE APPLIED TO ALL GLANDS AND BLANKING PLUGS.
9. GENERAL TOLERANCE $\pm 3/32"$



MEDC Ltd, Colliery Road, Pinxton
Nottingham NG16 6JF, U.K.
Tel: +44 (0)1173 864100
Fax: +44 (0)1173 882800
e-mail: info@medc.com web: www.medc.com

DESIGNERS & MANUFACTURERS
OF ELECTRICAL & ELECTRONIC
EQUIPMENT & SYSTEMS FOR
HAZARDOUS AREAS

DRAWN BY: M.SELDEN	DATE: 14/08/00	TITLE	SHT OF
CHECKED BY: G.HODGKINSON	DATE: 14/08/00	DBI CUSTOMER GA UL APPROVED VERSION	
APPROVED BY: M.SELDEN	DATE: 14/08/00		
SCALE: NTS	SIZE: A3	DRG No. 173-392	ISSUE C

ALL DIMENSIONS ARE
IN MILLIMETRES UNLESS
OTHERWISE STATED

REMOVE ALL BURRS
AND SHARP CORNERS

MACHINE
SYMBOLS THUS

THIS DRAWING IS CONFIDENTIAL
AND IS THE PROPERTY OF MEDC
AND MUST NOT BE REPRODUCED
EITHER WHOLLY OR PARTLY.
ALL RIGHTS IN RESPECT OF
PATENTS, DESIGNS AND
COPYRIGHT ARE RESERVED.

ISSUES

B. 13-12-00 MDS
C. 17-04-07 PF