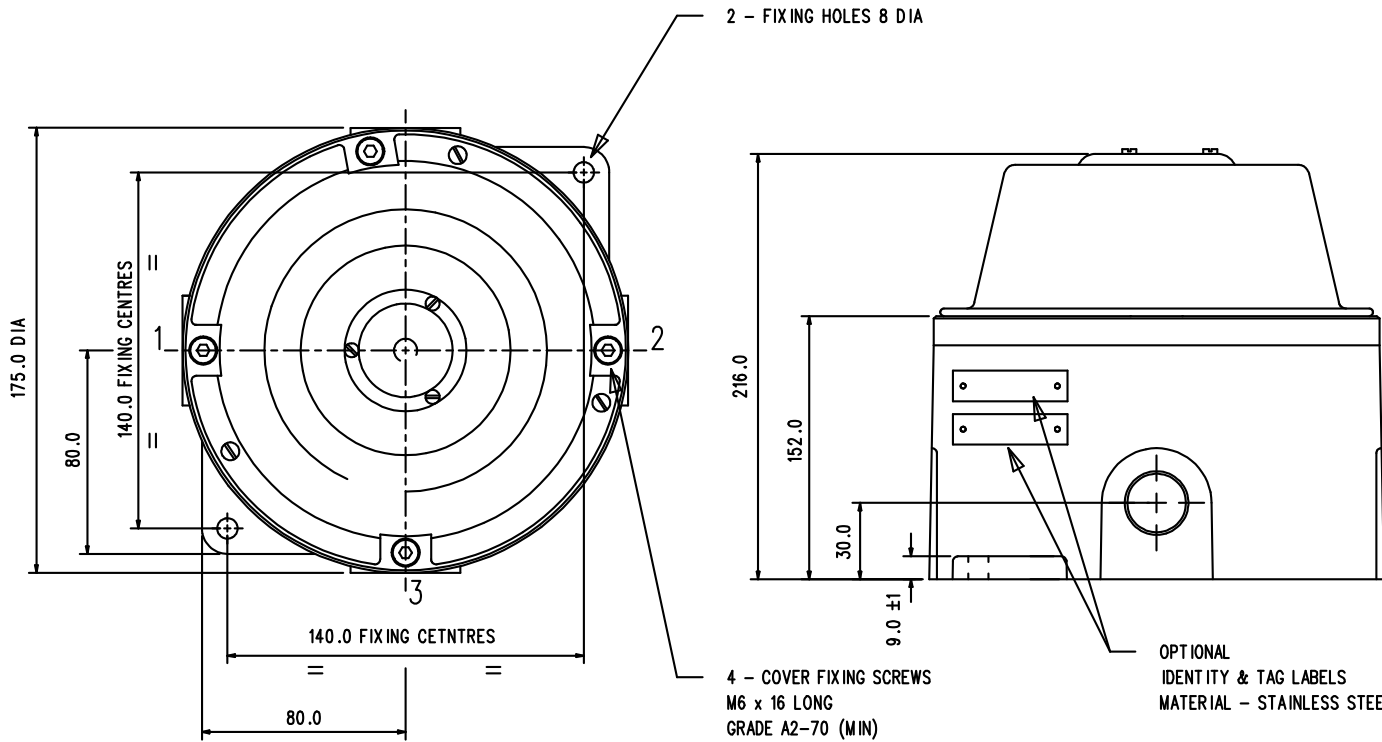
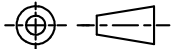


DO NOT SCALE



- 1/ TYPE DB1H
- 2/ CERTIFICATION No. Baseefa02ATEX0209
II 2G EExd IIB T3 (T.Amb -20°C to +70°C)
- 3/ WEIGHT 3.5 ±0.2Kg (ALUMINIUM) & 8.3 ±0.2Kg (S.STEEL)
- 4/ MATERIAL - BODY & LID - ALUMINIUM GRADE LM25TF TO BS1490:1988
OR
STAINLESS STEEL GRADE 316/ANC 4B TO BS3146:1975
RE-ENTRANT HORN - POLYCARBONATE
- 5/ IDENTITY/TAG LABELS LETTER SIZE 5mm MAX
- 6/ TERMINALS SUITABLE FOR UP TO 2.5mm SQ CABLE
- 7/ CABLE ENTRIES AVAILABLE AT '1' '2' '3'



MEDC Ltd, Colliery Road, Pinxton, Nottingham NG16 6JF, U.K.
 Tel: +44 (0)1773 864100
 fax: +44 (0)1773 582800
 e-mail: info@medc.com
 web: www.medc.com

DESIGNERS & MANUFACTURERS
 OF ELECTRICAL & ELECTRONIC
 EQUIPMENT & SYSTEMS FOR
 HAZARDOUS AREAS

| | | | | | | | |
|--------|----------------------|---|--|------------------------|-------------------|--------------------------------------|------------|
| ISSUES | C.02-01-04 SO | ALL DIMENSIONS ARE IN MILLIMETRES UNLESS OTHERWISE STATED | THIS DRAWING IS CONFIDENTIAL AND IS THE PROPERTY OF MEDC AND MUST NOT BE REPRODUCED EITHER WHOLLY OR PARTLY. ALL RIGHTS IN RESPECT OF PATENTS, DESIGNS AND COPYRIGHT ARE RESERVED. | DRAWN BY: C. FOSTER | DATE: 20-11-92 | TITLE DB1H GENERAL ARRANGEMENT | |
| | D.06-08-07 SO | | | CHECKED BY: S.J.M. | DATE: 20-11-92 | | |
| | MACHINE SYMBOLS THUS | | | APPROVED BY: S.J.M. | DATE: 20-11-92 | | |
| | | | | SCALE: N.T.S | SIZE A4 | DRG No. DB1H | ISSUE D |