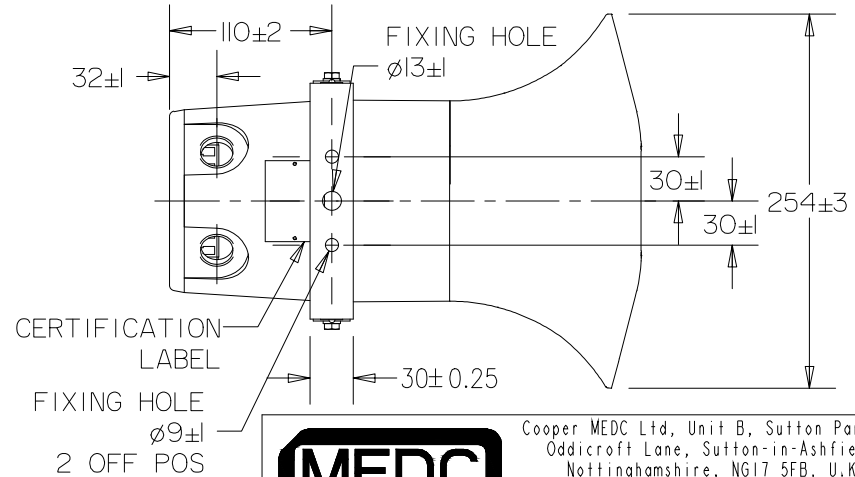
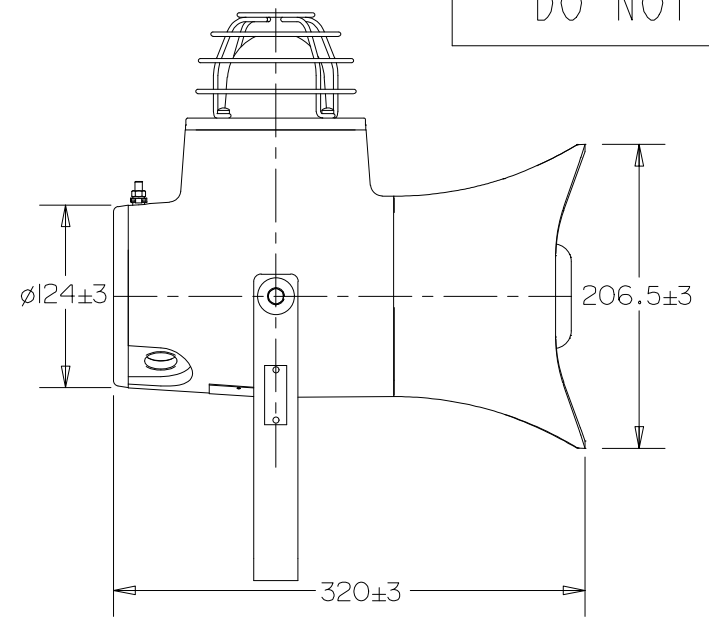
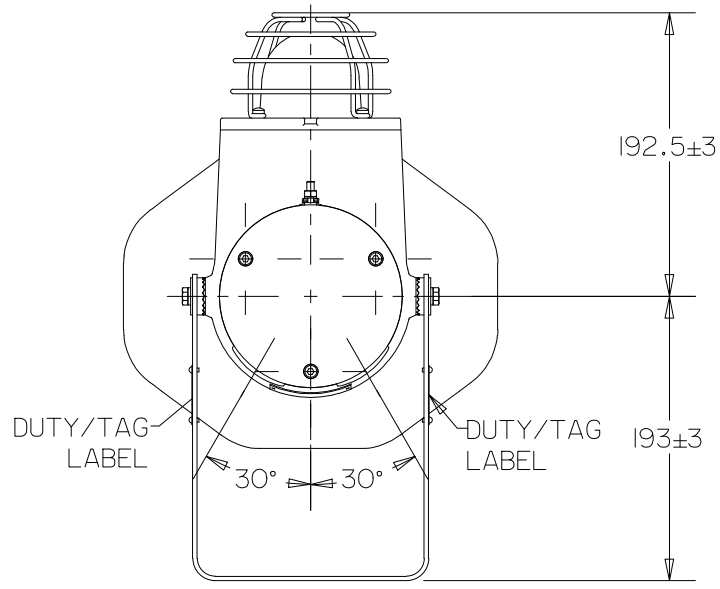
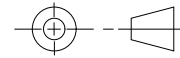


DO NOT SCALE



- NOTES:
1. TYPE CUI COMBINATION UNIT
  2. CERTIFICATION DETAIL:  
ATEX: CERTIFICATION No. BASEEFAO4ATEX0273X.  
II 2 G Ex de IIB T4 Gb  
IECEX: CERTIFICATION No. IECEX BAS II.0149X  
Ex de IIB T4 Gb
  3. AMBIENT TEMPERATURE RANGE:  
(-50°C TO +50°C) - STANDARD VERSION  
(-50°C TO +70°C) - HIGH TEMP. VERSION
  4. WEIGHT:- 5.0 ±0.3 Kg
  5. ENCLOSURE AND COVER MATERIAL:- GLASS REINFORCED POLYESTER
  6. OPTIONAL TAG/DUTY LABEL, LETTER SIZE 5mm MAX.
  7. TERMINALS ARE SUITABLE FOR UP TO 8-WAY, 440V, 25A, 2.5mm<sup>2</sup>
  8. CABLE ENTRIES:- UP TO 2 x M25 x 1.5p MAX.



Cooper MEDC Ltd, Unit B, Sutton Parkway,  
Oddicroft Lane, Sutton-in-Ashfield,  
Nottinghamshire, NG17 5FB, U.K.  
Tel: +44 (0) 1623 444400  
web: www.coopermedc.com

DESIGNERS & MANUFACTURERS  
OF ELECTRICAL & ELECTRONIC  
EQUIPMENT & SYSTEMS FOR  
HAZARDOUS AREAS

ISSUES	B. 04-07-13 PF	ALL DIMENSIONS ARE IN MILLIMETRES UNLESS OTHERWISE STATED	THIS DRAWING IS CONFIDENTIAL AND IS THE PROPERTY OF MEDC AND MUST NOT BE REPRODUCED EITHER WHOLLY OR PARTLY. ALL RIGHTS IN RESPECT OF PATENTS, DESIGNS AND COPYRIGHT ARE RESERVED	DRAWN BY:	DATE:	TITLE	
	C. 02-06-14 PF			P.FISHWICK	18/10/05		CUI COMBINATION UNIT ATEX / IECEX CUSTOMER GA
	D. 13-07-20 CM			CHECKED BY:	DATE:		
		REMOVE ALL BURRS AND SHARP CORNERS		M.SLACK	18/10/05		
		MACHINE SYMBOLS THUS		APPROVED BY:	DATE:		
				P.FISHWICK	18/10/05		
				SCALE:	SIZE:	DRG No.	
					A 4	297-113	
						ISSUE	
						D	