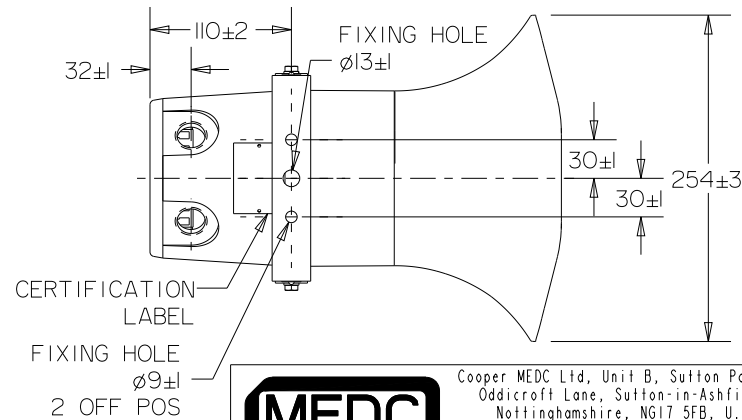
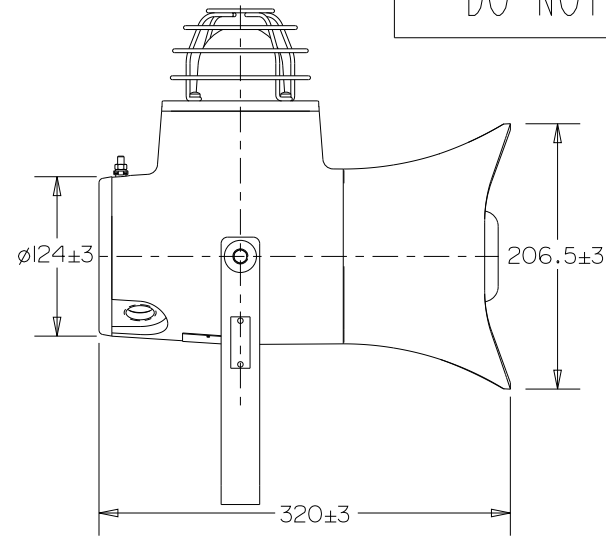
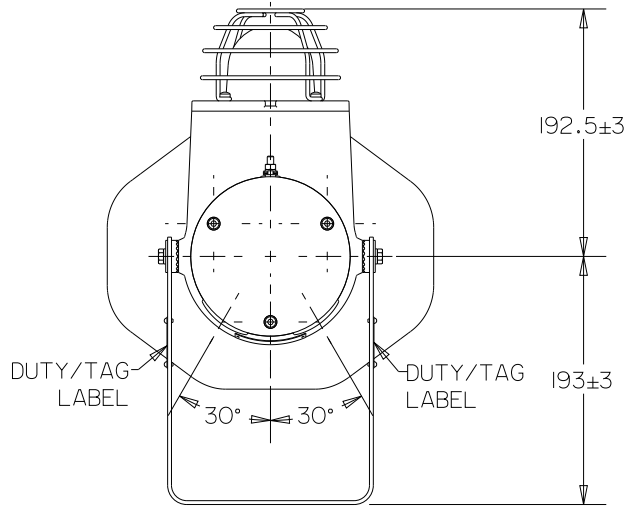
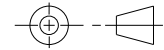


DO NOT SCALE



NOTES:

1. TYPE CUI COMBINATION UNIT
2. CERTIFICATION DETAIL:
ATEX: CERTIFICATION No. BASEEFA04ATEX0273X.
II 2 G Ex de IIB T4 Gb
IECEX: CERTIFICATION No. IECEX BAS II.0149X
Ex de IIB T4 Gb
3. AMBIENT TEMPERATURE RANGE:
(-50°C TO +50°C) - STANDARD VERSION
(-50°C TO +70°C) - HIGH TEMP. VERSION
4. WEIGHT:- 5.0 ±0.3 Kg
5. ENCLOSURE AND COVER MATERIAL:- GLASS REINFORCED POLYESTER
6. OPTIONAL TAG/DUTY LABEL, LETTER SIZE 5mm MAX.
7. TERMINALS ARE SUITABLE FOR UP TO 8-WAY, 440V, 25A, 2.5mm²
8. CABLE ENTRIES:- UP TO 2 x M25 x 1.5p MAX.

Cooper MEDC Ltd, Unit B, Sutton Parkway,
Oddicroft Lane, Sutton-in-Ashfield,
Nottinghamshire, NG17 5FB, U.K.
Tel: +44 (0) 1623 444400
web: www.coopermedc.com

DESIGNERS & MANUFACTURERS
OF ELECTRICAL & ELECTRONIC
EQUIPMENT & SYSTEMS FOR
HAZARDOUS AREAS



ISSUES	B. 04-07-13 PF	ALL DIMENSIONS ARE IN MILLIMETRES UNLESS OTHERWISE STATED	THIS DRAWING IS CONFIDENTIAL AND IS THE PROPERTY OF MEDC AND MUST NOT BE REPRODUCED EITHER WHOLLY OR PARTLY. ALL RIGHTS IN RESPECT OF PATENTS, DESIGNS AND COPYRIGHT ARE RESERVED	DRAWN BY:	DATE:	TITLE CUI COMBINATION UNIT ATEX / IECEX CUSTOMER GA	
	C. 02-06-14 PF			P.FISHWICK	18/10/05		
				CHECKED BY:	DATE:		
		REMOVE ALL BURRS AND SHARP CORNERS		M.SLACK	18/10/05		
		MACHINE SYMBOLS THUS <input checked="" type="checkbox"/>		APPROVED BY:	DATE:		
				P.FISHWICK	18/10/05		
				SCALE:	SIZE:	DRG No.	ISSUE
					A4	297-113	C