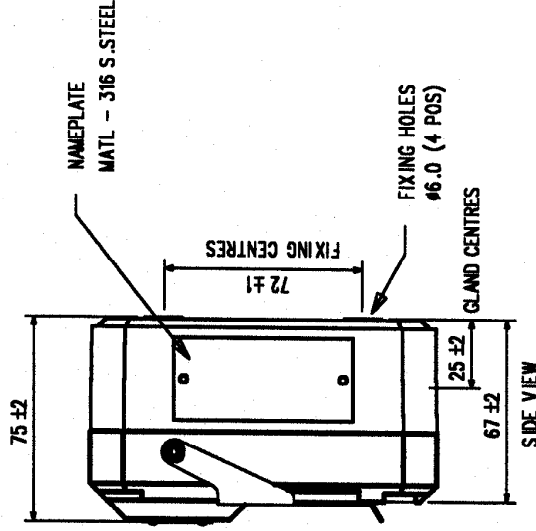
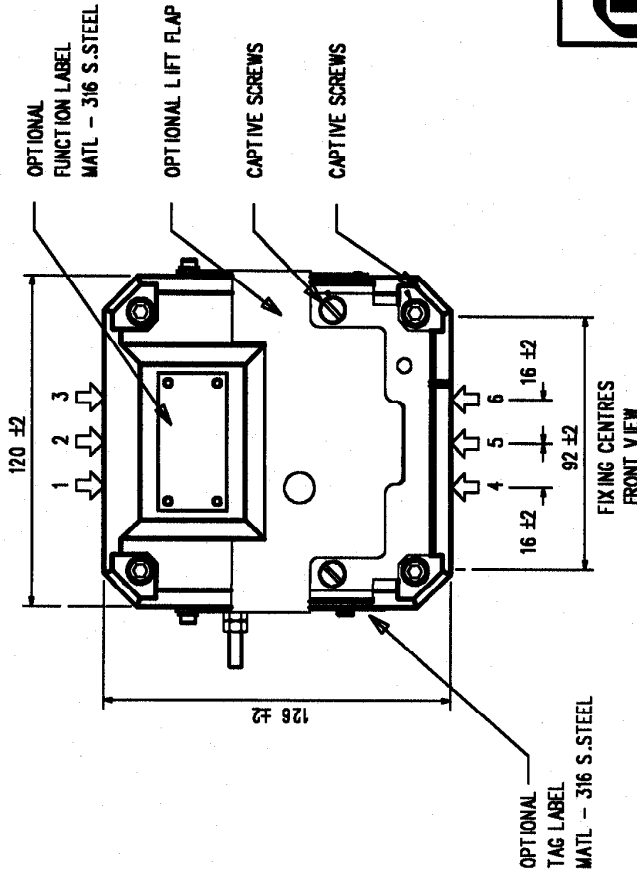


DO NOT SCALE



- 1/ TYPE BGE, I, W.
- 2/ CERTIFICATION No.
 - BGE:- Baseefa BAS02ATEX205X
 - T135°C EEx emd IIC T4 (-20°C Tamb +50°C)
 - T85°C EEx ed IIC T6 (-20°C Tamb +50°C)
 - BGEI:- BASEEFA Ex90C2373 EEx ig IIC T4
 - BOW:- INDUSTRIAL
- 3/ WEIGHT 1.3kg ±0.2
- 4/ MATERIAL:- BLACK GLASS FILLED POLYESTER
- 5/ FUNCTION LABEL LETTER SIZE 5mm MAX.
- 6/ NAMEPLATE LETTER SIZE 3mm MAX.
- 7/ TAG LABEL LETTER SIZE 5mm MAX.
- 8/ TERMINALS SUITABLE FOR UP TO 2.5mm SQ. CABLE AS STANDARD, OR SUITABLE FOR UP TO 4.0mm SQ. CABLE SUITABLE ON REQUEST.
- 9/ CABLE ENTRIES AVAILABLE AT "1" 2" 3" 4" 5" & 6". A MAXIMUM OF TWO ENTRIES PER FACE IN POSITIONS 1 & 3 OR 4 & 6.



MEDC Ltd, Colliery Road, Pinxton,
 Nottingham NG16 6JF, U.K.
 Tel: +44 (0)1773 864100
 fax: +44 (0)1773 582600
 e-mail: info@medc.com
 web: www.medc.com

DESIGNERS & MANUFACTURERS
 OF ELECTRICAL & ELECTRONIC
 EQUIPMENT & SYSTEMS FOR
 HAZARDOUS AREAS

ISSUES	C. 31-01-03 SH		DRAWN BY: C. FOSTER		DATE: 14-1-93	TITLE: BGE, I, W
			CHECKED BY: A. S. H.		DATE: 14-1-93	GENERAL ARRANGEMENT
			APPROVED BY: S. J. M.		DATE: 14-1-93	
			SCALE:		SIZE: A4	DRG No. BGE-I-W

THIS DRAWING IS CONFIDENTIAL
 AND IS THE PROPERTY OF MEDC
 AND MUST NOT BE REPRODUCED
 EITHER WHOLLY OR PARTLY.
 ALL RIGHTS IN RESPECT OF
 PATENTS, DESIGNS AND
 COPYRIGHT ARE RESERVED.

ALL DIMENSIONS ARE
 IN MILLIMETRES UNLESS
 OTHERWISE STATED
 REMOVE ALL BURRS
 AND SHARP EDGES

MACHINE
 SYMBOLS THUS dm