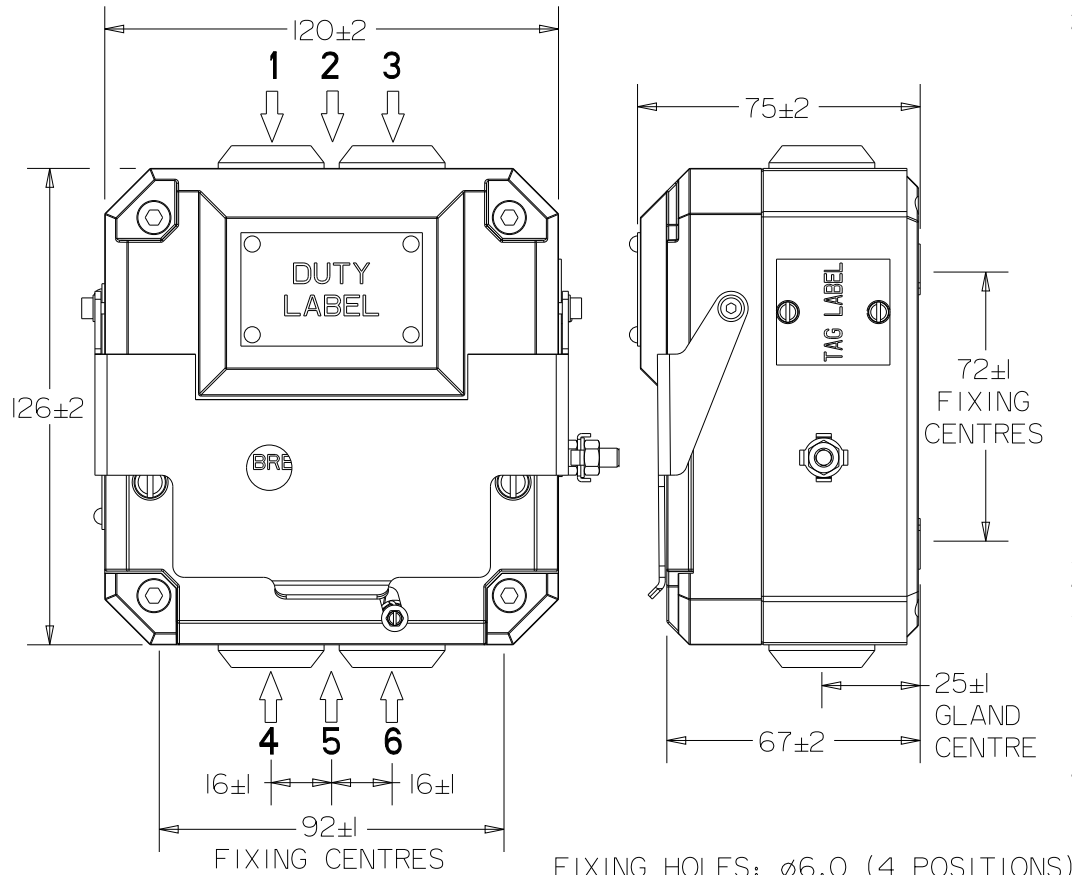
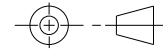


DO NOT SCALE



1. TYPE BGE/1/W
2. CERTIFICATION:
 - BGE:
 - ATEX: Baseefa02ATEX2105X - II 2 GD
 - STANDARD: Ex de IIC T6 Gb (-40°C to +70°C)
 - Ex tb IIIC T85°C Db IP66/67 (-40°C to +70)
 - LED: Ex de mb IIC T6 Gb (-35°C to +70°C)
 - Ex tb IIIC T85°C Db IP66/67 (-35°C to +70)
 - RESISTOR/DIODE: Ex de mb IIC T4 Gb (-40°C to +70°C)
 - Ex tb IIIC T135°C Db IP66/67 (-40°C to +70)
 - LED & RESISTOR: Ex de mb IIC T4 Gb (-35°C to +70°C)
 - Ex tb IIIC T135°C Db IP66/67 (-35°C to +70)

- BGI:
- ATEX: Baseefa03ATE0084X
- II 1 GD Ex ia IIC T4 Ga (-40°C to +70°C)
- Ex ia IIIC T4 Da (-40°C to +70°C)
- IECEX: IECEX BAS I2.0093X
- Ex ia IIC T4 Ga (-40°C to +70°C)
- Ex ia IIIC T4 Da (-40°C to +70°C)

- BGW: INDUSTRIAL
- 3. WEIGHT: 1.3 ±0.2Kg
- 4. MATERIAL: GLASS REINFORCED POLYESTER
- 5. FUNCTION LABEL LETTER SIZE 5mm MAX.
- 6. TAG LABEL LETTER SIZE 5mm MAX.
- 7. TERMINAL SUITABLE FOR UP TO 2.5MM² CABLE
- AS STANDARD OR SUITABLE FOR UP TO 4MM² CABLE ON REQUEST
- 8. CABLE ENTRIES AVAILABLE AT POSITIONS '1', '2', '3', '4', '5' & '6'. A MAXIMUM OF TWO ENTRIES PER FACE IN POSITION 1 & 3 OR 4 & 6

MEDC Cooper MEDC Ltd, Unit B, Sutton Parkway, Oddicroft Lane, Sutton-in-Ashfield, Nottinghamshire, NG17 5FB, U.K.
Tel: +44 (0) 1623 444400 web: www.coopermedc.com

DESIGNERS & MANUFACTURERS OF ELECTRICAL & ELECTRONIC EQUIPMENT & SYSTEMS FOR HAZARDOUS AREAS

ISSUES	B. 01-11-13 PF	ALL DIMENSIONS ARE IN MILLIMETRES UNLESS OTHERWISE STATED	THIS DRAWING IS CONFIDENTIAL AND IS THE PROPERTY OF MEDC AND MUST NOT BE REPRODUCED EITHER WHOLLY OR PARTLY. ALL RIGHTS IN RESPECT OF PATENTS, DESIGNS AND COPYRIGHT ARE RESERVED	DRAWN BY:	DATE:	TITLE	
	C. 03-06-16 PF			P.FISHWICK	16-07-13		
				CHECKED BY:	DATE:		
				D.COATES	16-07-13	BGE/1/W ATEX/IECEX CUSTOMER GA	
	APPROVED BY:	DATE:					
	P.FISHWICK	16-07-13	DRG No.	ISSUE			
	MACHINE SYMBOLS THUS ✓			SCALE:	SIZE: A4	480-323	C