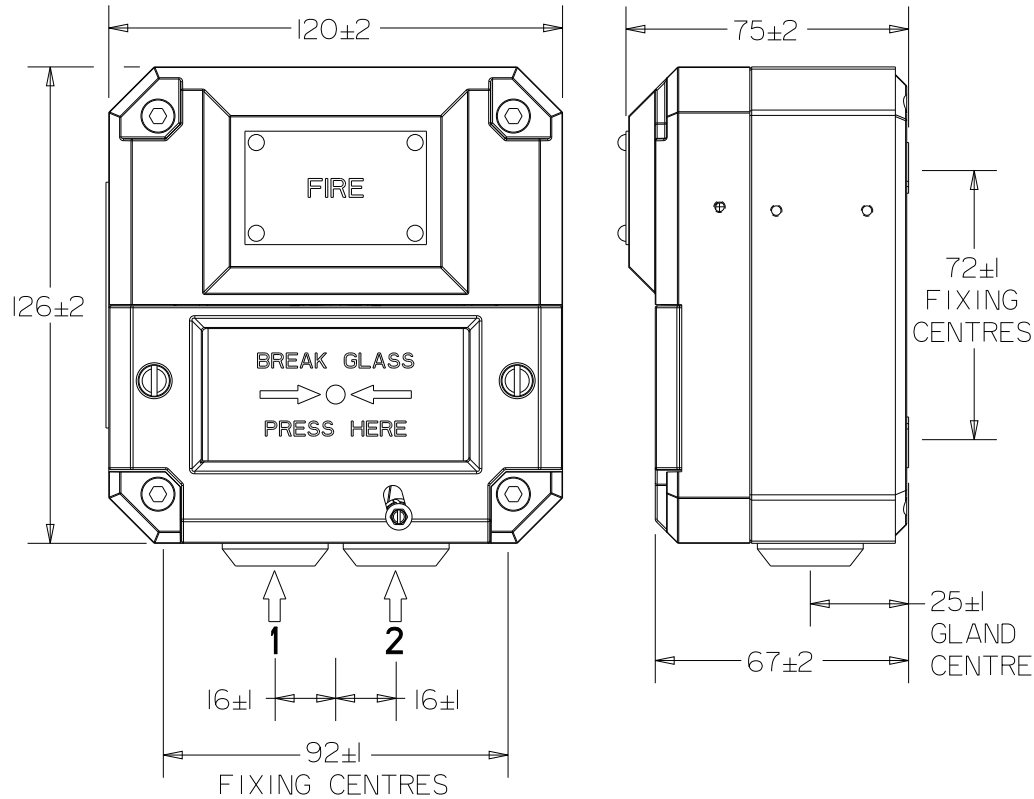
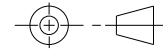


DO NOT SCALE



1. TYPE BG2E/I/W
2. CERTIFICATION:  
 BG2E:  
 ATEX: Baseefa02ATEX2105X  
 STANDARD: Ex de IIC T6 Gb (-40°C to +70°C)  
 Ex tb IIIC T85°C Db IP66/67 (-40°C to +70)  
  
 RESISTOR/DIODE: Ex de mb IIC T4 Gb (-40°C to +70°C)  
 Ex tb IIIC T135°C Db IP66/67 (-40°C to +70)  
  
 BG2I:  
 ATEX: Baseefa03ATE0084X  
 II I GD Ex ia IIC T4 Ga (-40°C to +70°C)  
 Ex ia IIIC T135°C Da (-40°C to +70°C)  
  
 BG2W: INDUSTRIAL
3. WEIGHT: 1.2 ±0.2Kg
4. MATERIAL: GLASS REINFORCED POLYESTER
5. FUNCTION LABEL LETTER SIZE 5mm MAX.
6. OPTIONAL CLEAR POLYCARBONATE LIFT FLAP AVAILABLE ON REQUEST
7. TERMINAL SUITABLE FOR UP TO 2.5MM<sup>2</sup> CABLE
8. 2 x M20 CABLE ENTRIES AVAILABLE AT POSITIONS '1' & '2'

FIXING HOLES:  $\phi 6.0$  (4 POSITIONS)



Cooper MEDC Ltd, Unit B, Sutton Parkway,  
 Oddicroft Lane, Sutton-in-Ashfield,  
 Nottinghamshire, NG17 5FB, U.K.  
 Tel: +44 (0) 1623 444400  
 web: www.coopermedc.com

DESIGNERS & MANUFACTURERS  
 OF ELECTRICAL & ELECTRONIC  
 EQUIPMENT & SYSTEMS FOR  
 HAZARDOUS AREAS

ISSUES	B. 03-06-16 PF	ALL DIMENSIONS ARE IN MILLIMETRES UNLESS OTHERWISE STATED	THIS DRAWING IS CONFIDENTIAL AND IS THE PROPERTY OF MEDC AND MUST NOT BE REPRODUCED EITHER WHOLLY OR PARTLY. ALL RIGHTS IN RESPECT OF PATENTS, DESIGNS AND COPYRIGHT ARE RESERVED	DRAWN BY: P.FISHWICK	DATE: 03-04-14	TITLE  BG2E/I/W ATEX CUSTOMER GA	
		REMOVE ALL BURRS AND SHARP CORNERS		CHECKED BY: D.COATES	DATE: 03-04-14		
		MACHINE SYMBOLS THUS <input checked="" type="checkbox"/>		APPROVED BY: P.FISHWICK	DATE: 03-04-14		
				SCALE:	SIZE: A4	DRG No. 480-366	ISSUE B