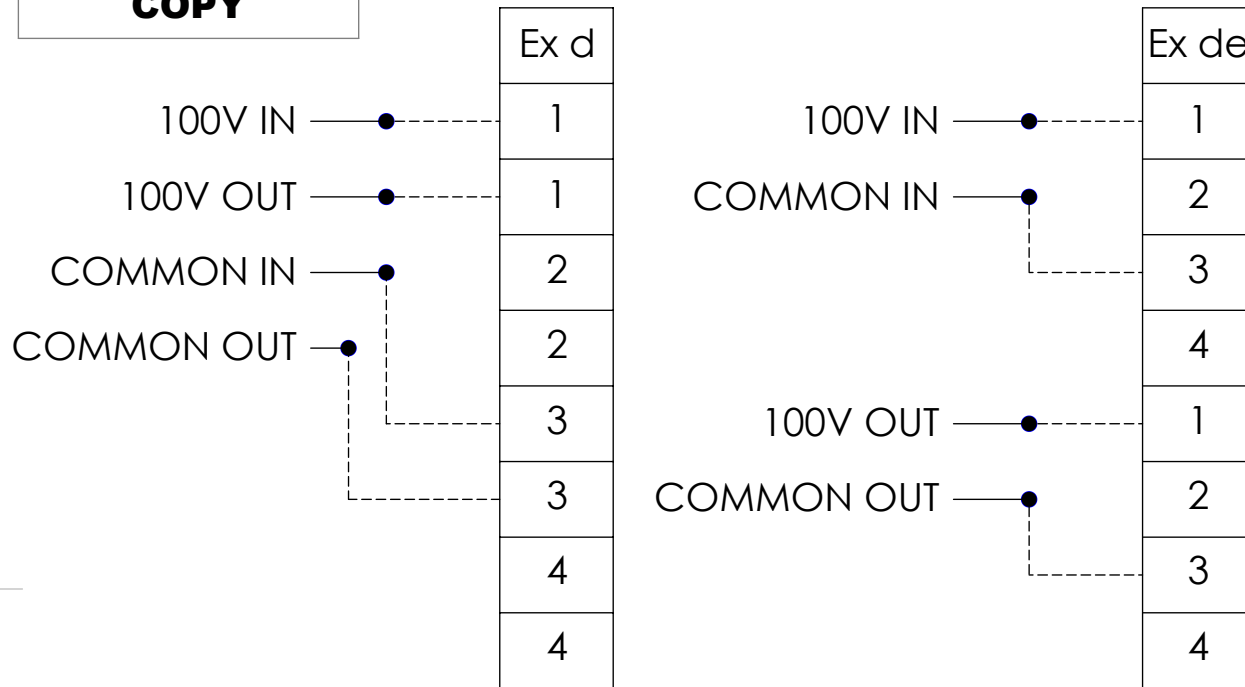


CURRENT PRODUCTION COPY

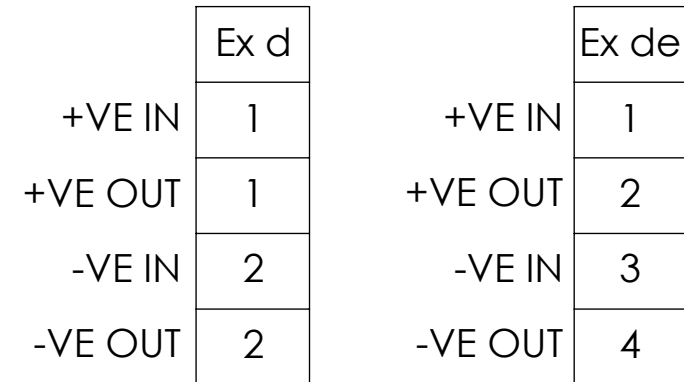
DB4B STANDARD WIRING



DO NOT SCALE

TRANSFORMER TAPPING	POWER		
	25W	15W	8W
1:2	25.0	15.0	8.0
2:3	12.5	7.5	4.0
3:4	6.0	5.0	2.0
1:3	4.0	4.0	1.5
2:4	2.0	2.0	0.7
1:4	1.0	0.8	0.4

DB4B 80hm DIRECT CONNECTION WIRING



CONNECT POWER CONNECTIONS TO NUMBERED TERMINALS TO OBTAIN POWER TAPPING REQUIRED. CONNECT LOOP-IN, LOOP-OUT CONNECTIONS AS REQUIRED.

CONNECT POWER FROM AMPLIFIER TO TERMINALS, TAKING NOTE OF MAXIMUM UNIT RATINGS. CONNECT LOOP-IN, LOOP-OUT CONNECTIONS AS REQUIRED

GENERAL NOTES:

1. THE EXD UNIT REQUIRES THAT THE GLAND BODY PROVIDES UNIT EARTHING. THE STUD PROVIDED ON THE ESA IS FOR LOOP-IN LOOP-OUT PURPOSES ONLY
2. THE STUD PROVIDED ON THE EXE CHAMBER MAY BE USED TO PROVIDE UNIT EARTHING IF THE GLAND BODY IS NOT USED



COOPER MEDC Ltd.
 UNIT B, SUTTON PARKWAY
 ODDICROFT LANE
 SUTTON-IN-ASHFIELD, NG17 5FB, U.K.
 Tel: +44 (0)1623 444400
 Web: WWW.COOPERMEDC.COM

DESIGNERS & MANUFACTURERS
 OF ELECTRICAL & ELECTRONIC
 EQUIPMENT & SYSTEMS
 FOR HAZARDOUS
 AREAS

ISSUES	GENERAL TOLERANCES UOS	ALL DIMENSIONS ARE IN MILLIMETRES UNLESS OTHERWISE STATED	THIS DRAWING IS CONFIDENTIAL AND IS THE PROPERTY OF MEDC AND MUST NOT BE REPRODUCED EITHER WHOLLY OR PARTLY. ALL RIGHTS IN RESPECT OF PATENTS, DESIGNS AND COPYRIGHT ARE RESERVED	DRAWN BY: P.FISHWICK	DATE: 17/02/2014	TITLE: DB4B LOUDSPEAKER CUSTOMER WIRING DETAILS	SHT 1 OF 2
	LINEAR: ±0.25	REMOVE ALL BURRS AND SHARP CORNERS		CHECKED BY: D.COATES	DATE: 18/02/2014		
	ANGULAR: ±0.5°	MACHINE SYMBOLS THUS		APPROVED BY: P.FISHWICK	DATE: 18/02/2014		
	SURFACE FINISH:			SCALE:1:1	A4	DWG NO. 399-132	REVISION A

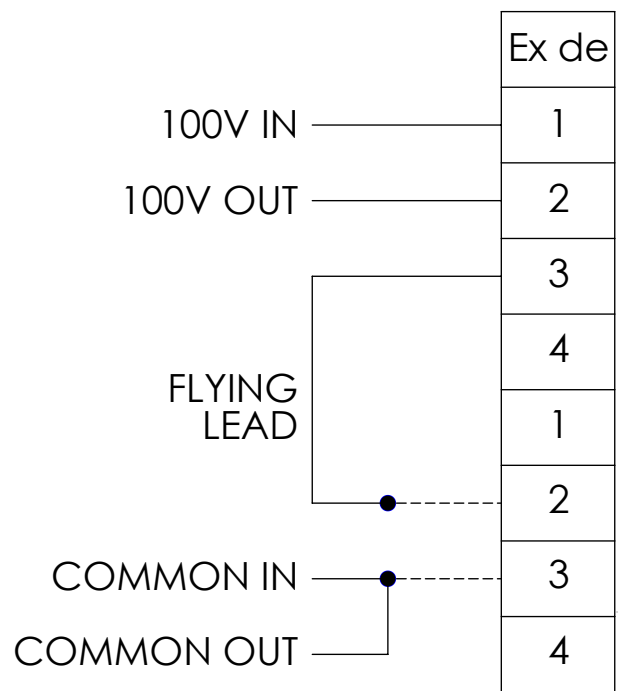
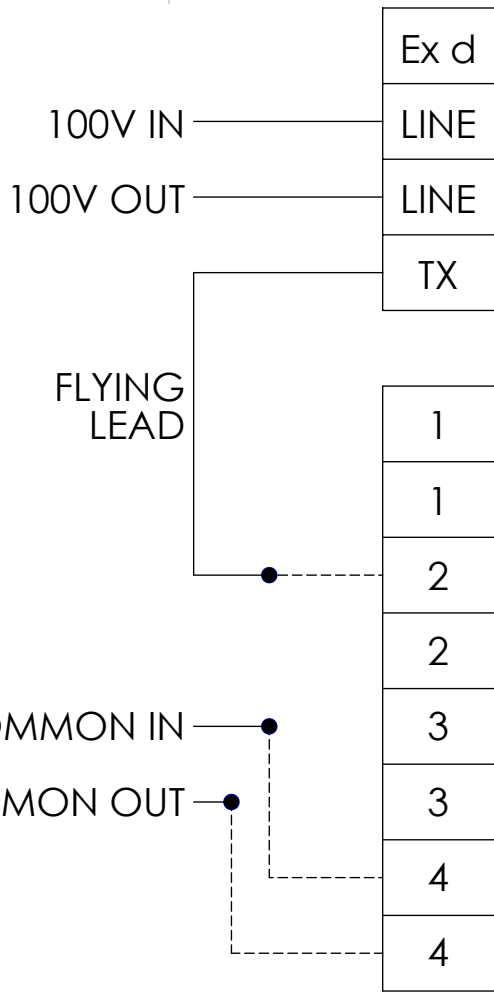
DB4B WIRING WITH OPTIONAL CAPACITOR AND/OR PPTC

DO NOT SCALE



NOTES:
 Ex d UNITS:
 CONNECT 100V LINE CONNECTIONS TO TERMINALS MARKED 'LINE' ON PCB, LOOPING OUT AS REQUIRED. USE SUPPLIED FLYING LEAD, ALONG WITH COMMON POWER CONNECTIONS TO SELECT POWER TAPPING REQUIRED.

Ex de UNITS:
 CONNECT 100V POWER LEADS TO TERMINALS 1 AND 2 (LOOP-IN, LOOP-OUT). IF LOOP-IN, LOOP-OUT FUNCTIONALITY IS REQUIRED THE TWO COMMON LEADS MUST BE JOINED TOGETHER USING A SINGLE CRIMPED BOOTLACE FERRULE. USE THE SUPPLIED FLYING LEAD ALONG WITH COMMON LEAD TO SELECT POWER TAPPING REQUIRED



TRANSFORMER TAPPING	POWER		
	25W	15W	8W
1:2	25.0	15.0	8.0
2:3	12.5	7.5	4.0
3:4	6.0	5.0	2.0
1:3	4.0	4.0	1.5
2:4	2.0	2.0	0.7
1:4	1.0	0.8	0.4

CURRENT PRODUCTION COPY



COOPER MEDC Ltd.
 UNIT B, SUTTON PARKWAY
 ODDICROFT LANE
 SUTTON-IN-ASHFIELD, NG17 5FB, U.K.
 Tel: +44 (0)1623 444400
 Web: WWW.COOPERMEDC.COM

DESIGNERS & MANUFACTURERS
 OF ELECTRICAL & ELECTRONIC
 EQUIPMENT & SYSTEMS
 FOR HAZARDOUS
 AREAS

ISSUES	GENERAL TOLERANCES UOS	ALL DIMENSIONS ARE IN MILLIMETRES UNLESS OTHERWISE STATED	THIS DRAWING IS CONFIDENTIAL AND IS THE PROPERTY OF MEDC AND MUST NOT BE REPRODUCED EITHER WHOLLY OR PARTLY. ALL RIGHTS IN RESPECT OF PATENTS, DESIGNS AND COPYRIGHT ARE RESERVED	DRAWN BY: P.FISHWICK	DATE: 17/02/2014	TITLE: DB4B LOUDSPEAKER CUSTOMER WIRING DETAILS	SHT 2 OF 2
	LINEAR: ±0.25	REMOVE ALL BURRS AND SHARP CORNERS		CHECKED BY: D.COATES	DATE: 18/02/2014		
	ANGULAR: ±0.5°	MACHINE SYMBOLS THUS ✓		APPROVED BY: P.FISHWICK	DATE: 18/02/2014		
	SURFACE FINISH: ✓ ^{3.2}			SCALE:1:1	A4	DWG NO. 399-132	REVISION A