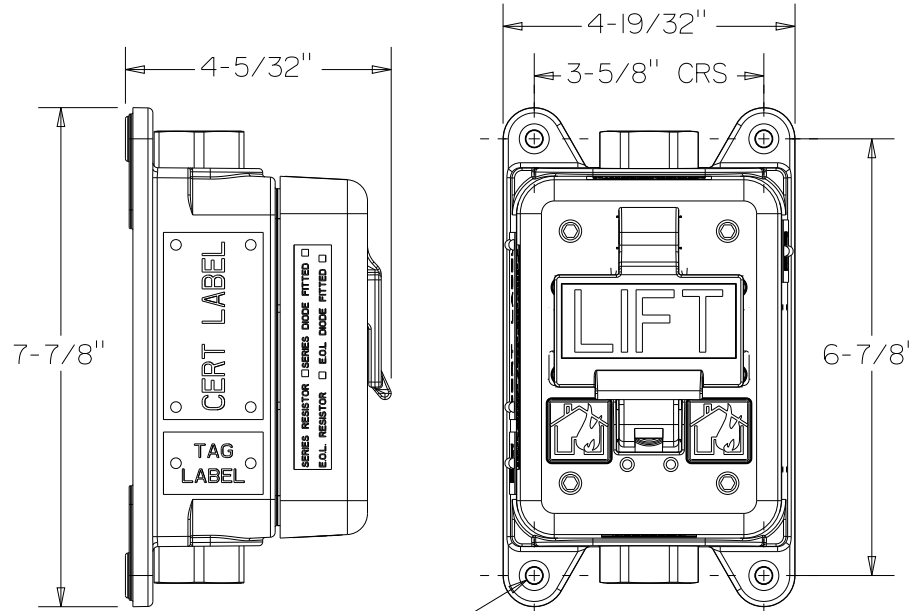
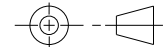


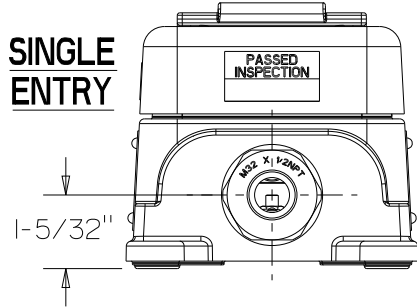
DO NOT SCALE



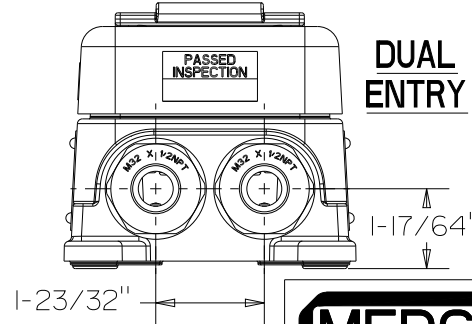
1. TYPE PHI
  2. UL LISTING NUMBER EI86629 - NON-CODED ALARM BOX FOR USE IN HAZARDOUS LOCATIONS CLASS I, ZONE I, AEX D IIC, EX D IIC. CLASS II, DIV.2, GROUPS F & G. CLASS III.  
UL LISTING NUMBER S8II7 - FIRE ALARM BOXES FOR USE IN ORDINARY LOCATIONS
  3. IP RATING: NEMA 4X86
  4. AMBIENT TEMPERATURE RANGE: -58°F TO +158°F
  5. MATERIALS: BODY/COVERS/HANDLES - GLASS REINFORCED POLYESTER  
FIXINGS - STAINLESS STEEL
  6. WEIGHT: 5.75lb ±0.5lb
  7. TERMINALS ARE SUITABLE FOR UP TO 14 AWG CABLE.
  8. TAG LABEL (OPTIONAL); LETTER SIZE 3/16" MAX.
  9. DUTY LABEL: BURNING HOUSE LOGO AS STANDARD.
  10. CABLE ENTRIES: UP TO TWO 1/2" OR 3/4" NPT.  
1/2" NPT: TWO PER FACE AS SHOWN  
3/4" NPT: ONE PER FACE AS SHOWN
- II. GENERAL TOLERANCE : ± 1/16" UNLESS OTHERWISE STATED.

FIXING HOLES  
ø1/4"  
4 POSITIONS

**SINGLE  
ENTRY**



**DUAL  
ENTRY**



MEDC Ltd, Colliery Road, Pinxton  
Nottingham NG16 6JF, U.K.  
Tel: +44 (0)1773 864100  
Fax: +44 (0)1773 582800  
e-mail: info@medc.com web: www.medc.com

DESIGNERS & MANUFACTURERS  
OF ELECTRICAL & ELECTRONIC  
EQUIPMENT & SYSTEMS FOR  
HAZARDOUS AREAS

ISSUES

ALL DIMENSIONS ARE  
IN MILLIMETRES UNLESS  
OTHERWISE STATED

REMOVE ALL BURRS  
AND SHARP CORNERS

MACHINE  
SYMBOLS THUS ✓

THIS DRAWING IS CONFIDENTIAL  
AND IS THE PROPERTY OF MEDC  
AND MUST NOT BE REPRODUCED  
EITHER WHOLLY OR PARTLY.  
ALL RIGHTS IN RESPECT OF  
PATENTS, DESIGNS AND  
COPYRIGHT ARE RESERVED

DRAWN BY:	DATE:
P.FISHWICK	28-08-13
CHECKED BY:	DATE:
D.COATES	29-08-13
APPROVED BY:	DATE:
P.FISHWICK	29-08-13
SCALE:	SIZE:
	A4

TITLE  
PHI - PULL HANDLE CALL POINT  
UL DIV. 2 / ORDINARY LOCATIONS  
CUSTOMER GA

DRG No. 330-179

ISSUE A