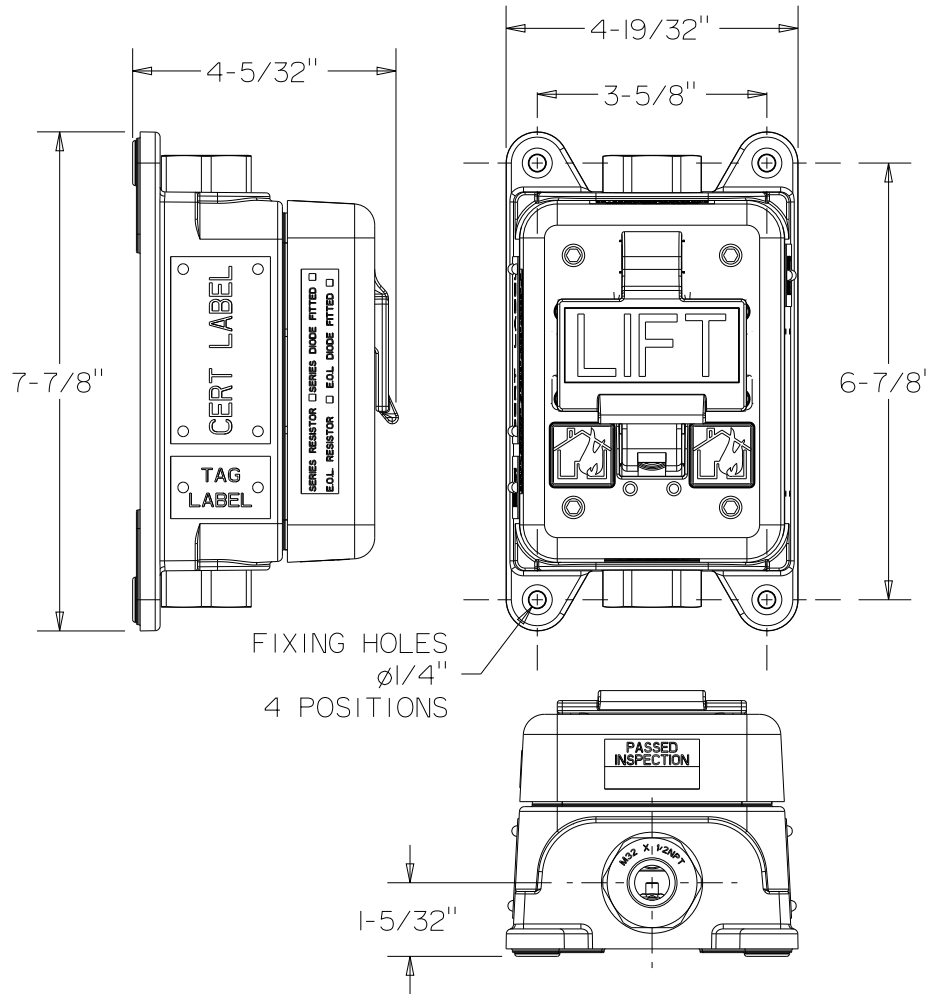
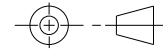


DO NOT SCALE



1. TYPE PHI
2. UL LISTING NUMBER E186629 NON-CODED ALARM BOX FOR USE IN HAZARDOUS LOCATIONS  
CLASS I, DIVISIONS 1 & 2, GROUPS B, C & D  
CLASS II, DIVISIONS 1 & 2, GROUPS E, F & G  
CLASS III
3. IP RATING : NEMA 4X86
4. AMBIENT TEMPERATURE RANGE : -58°F TO +158°F
5. MATERIALS : BODY/ OUTER COVER / HANDLES - GLASS REINFORCED POLYESTER  
INNER COVER / FIXINGS - STAINLESS STEEL
6. WEIGHT : 8.5lb ±0.5lb
7. TERMINALS ARE SUITABLE FOR UP TO 14 AWG CABLE.
8. TAG LABEL (OPTIONAL) : LETTER SIZE 3/16" MAX.
9. DUTY LABEL : BURNING HOUSE LOGO AS STANDARD.
10. CABLE ENTRIES : UP TO TWO 3/4" OR 1/2" NPT. ONE PER FACE AS SHOWN.
11. GENERAL TOLERANCE : ± 1/16" UNLESS OTHERWISE STATED.



MEDC Ltd, Colliery Road, Pinxton  
Nottingham NG16 6JF, U.K.  
Tel: +44 (0)1773 864100  
Fax: +44 (0)1773 582800  
e-mail: info@medc.com web: www.medc.com

DESIGNERS & MANUFACTURERS  
OF ELECTRICAL & ELECTRONIC  
EQUIPMENT & SYSTEMS FOR  
HAZARDOUS AREAS

ISSUES	ALL DIMENSIONS ARE IN MILLIMETRES UNLESS OTHERWISE STATED	THIS DRAWING IS CONFIDENTIAL AND IS THE PROPERTY OF MEDC AND MUST NOT BE REPRODUCED EITHER WHOLLY OR PARTLY. ALL RIGHTS IN RESPECT OF PATENTS, DESIGNS AND COPYRIGHT ARE RESERVED	DRAWN BY: D. COATES	DATE: 02/07/13	TITLE  PHI - PULL HANDLE CALL POINT UL DIVISION 1 CUSTOMER GA
	REMOVE ALL BURRS AND SHARP CORNERS		CHECKED BY: P. FISHWICK	DATE: 02/07/13	
	MACHINE SYMBOLS THUS <input checked="" type="checkbox"/>		APPROVED BY: D. COATES	DATE: 02/07/13	
			SCALE:	SIZE: A4	DRG No. 330-178