

## Explosion-proof, Weatherproof



## Features

- UL listed for USA and Canada (PB only), Class I, Div 1, Groups C & D.
- ULC certified for Class I, Zone 1 Groups C & D.
- CSA certified.
- NEMA 4x and 6, IP66 & 67.
- \*Certified temperature: -58°F to +158°F.  
-50°C to +70°C.
- Marine grade alloy or stainless steel.
- Robust yet lightweight.
- Easy to maintain.

\*Depending on version.

## Introduction

These fire alarm call points have been designed for the most arduous environmental conditions.

The units are both easy to install and maintain.

Versions of this model are available with various options including an addressable module. A choice of either marine grade alloy or stainless steel\*.

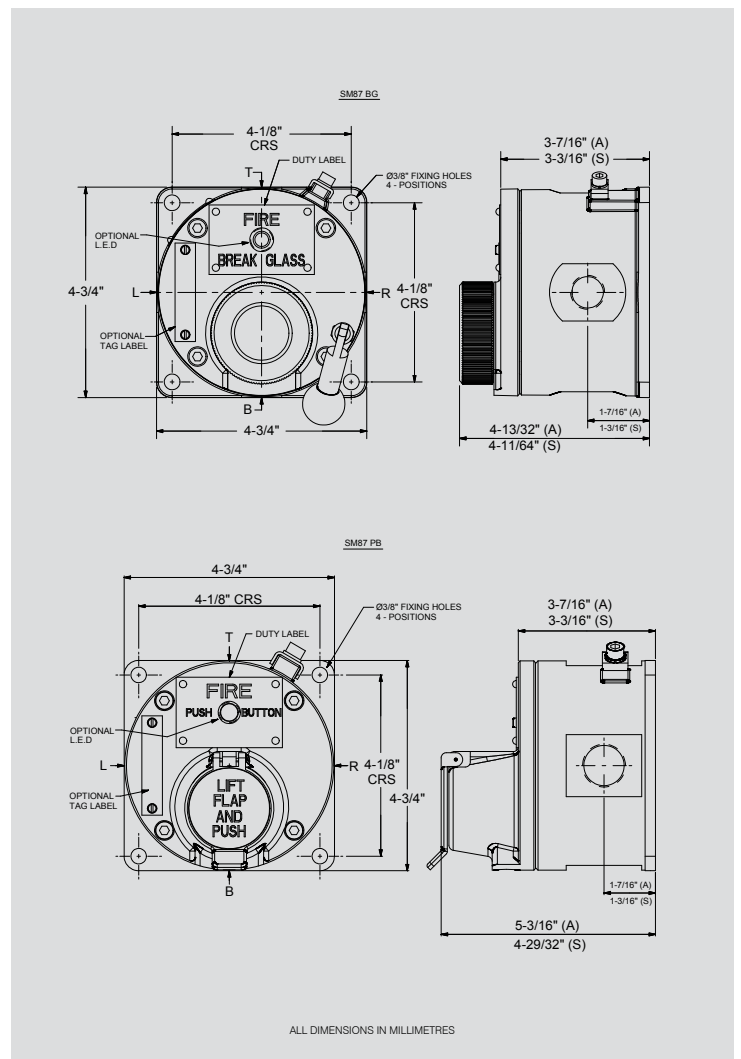
\* Version dependent.

European, Russian, Chinese and other worldwide approvals are available, refer to main section of catalogue.



# Certification and Specification

<b>Certification:</b>	UL listed for USA and Canada. ULC listed for Canada. Class 1 Div 1 Groups C & D and Class 1, Zone 1. UL Listing No. E186629. ULC Listing No. E320282. CSA Certification: I.S. Version – Class 1, Groups A-D. Exd Class I, Div 2 1/2 Group D. Enclosure type 4, Cert. No. 79120. American Bureau of Shipping Type Approval SM87PBLAUL only.
<b>Material:</b>	Grade 316 ANC 4B stainless steel or LM 25 TF Marine Grade Alloy.
<b>Finish:</b>	Paint finish as standard or to customer specification.
<b>Voltage:</b>	24V a.c./d.c. Exia 28V.
<b>Rating:</b>	2 amp. (30mA max. with LED).
<b>Switches:</b>	2 pole c/o, wired to terminals. Optional: up to 4 pole (UL version 2 pole only).
<b>Optional Indicator:</b>	A red high intensity LED can be fitted for alarm indication.
<b>Certified Temp:</b>	UL/ULC: -40°F to +158°F (-40°C to +70°C). -4°F to +131°F (-20°C to +55°C) LED version only. CSA: -58°F to +131°F (-50°C to +55°C) (Exd). -58°F to +104°F (-50°C to +40°C) (Exi).
<b>Weight:</b>	8.4 lb/3.8kg (approx.) Stainless Steel or 5.5 lb/2.5kg (approx.) Alloy.
<b>Ingress Protection:</b>	NEMA 4x and 6, IP66 & 67. SM87 PB IP68 (35m for 40 hours).
<b>Entries:</b>	Up to 4 x 1/2" or 3/4" NPT.
<b>Terminals:</b>	Will accept up to 14AWG cable.
<b>Addressable:</b>	Consult MEDC for specification.
<b>Resistor Values:</b>	470R minimum (d.c. & I.S. units only).



## Ordering Requirements

The following code is designed to help in selection of the correct unit. Build up the reference number by inserting the code for each component into the appropriate box.

Unit	Model	Material	Certification	Entries	Duty Label	Tag Label	Options	Finish																																																																																			
SM87																																																																																											
<table border="1"> <thead> <tr> <th>Model</th> <th>Code</th> </tr> </thead> <tbody> <tr> <td>Breakglass Latching</td> <td>BGL</td> </tr> <tr> <td>Lift Flap Breakglass Latching</td> <td>LBGL</td> </tr> <tr> <td>Push Button Latching key reset</td> <td>PBL*</td> </tr> <tr> <td>Push Button Only</td> <td>PBM</td> </tr> <tr> <td>Momentary Action</td> <td></td> </tr> </tbody> </table>		Model	Code	Breakglass Latching	BGL	Lift Flap Breakglass Latching	LBGL	Push Button Latching key reset	PBL*	Push Button Only	PBM	Momentary Action		<table border="1"> <thead> <tr> <th>Certification</th> <th>Code</th> </tr> </thead> <tbody> <tr> <td>UL Listed</td> <td>UL</td> </tr> <tr> <td>ULC Listed</td> <td>UC</td> </tr> <tr> <td>CSA-Exd</td> <td>DC</td> </tr> <tr> <td>CSA-Exi</td> <td>IC</td> </tr> </tbody> </table>		Certification	Code	UL Listed	UL	ULC Listed	UC	CSA-Exd	DC	CSA-Exi	IC	<table border="1"> <thead> <tr> <th>Entries</th> <th>Code</th> </tr> </thead> <tbody> <tr> <td>1/2" NPT</td> <td>3</td> </tr> <tr> <td>3/4" NPT</td> <td>4</td> </tr> <tr> <td>Please specify</td> <td></td> </tr> <tr> <td>Top</td> <td>*T</td> </tr> <tr> <td>Bottom</td> <td>*B</td> </tr> <tr> <td>RHS</td> <td>*R</td> </tr> <tr> <td>LHS</td> <td>*L</td> </tr> </tbody> </table>		Entries	Code	1/2" NPT	3	3/4" NPT	4	Please specify		Top	*T	Bottom	*B	RHS	*R	LHS	*L	<table border="1"> <thead> <tr> <th>Duty Label</th> <th>Code</th> </tr> </thead> <tbody> <tr> <td>Push Button</td> <td>2</td> </tr> <tr> <td>Fire-Push Button</td> <td>3</td> </tr> <tr> <td>ESDO-Abandon</td> <td>4</td> </tr> <tr> <td>FIRE/FEU</td> <td>5**</td> </tr> <tr> <td>Other</td> <td>0*</td> </tr> </tbody> </table>		Duty Label	Code	Push Button	2	Fire-Push Button	3	ESDO-Abandon	4	FIRE/FEU	5**	Other	0*	<table border="1"> <thead> <tr> <th>Options</th> <th>Code</th> </tr> </thead> <tbody> <tr> <td>Not required</td> <td>N</td> </tr> <tr> <td>LED</td> <td>A</td> </tr> <tr> <td>Series Resistor</td> <td>G*†</td> </tr> <tr> <td>EOL Resistor</td> <td>H*†</td> </tr> <tr> <td>Diode</td> <td>D*</td> </tr> <tr> <td>Addressable Module</td> <td>M††</td> </tr> <tr> <td>3 pole c/o switch</td> <td>T**</td> </tr> <tr> <td>4 pole c/o switch</td> <td>F**</td> </tr> </tbody> </table>		Options	Code	Not required	N	LED	A	Series Resistor	G*†	EOL Resistor	H*†	Diode	D*	Addressable Module	M††	3 pole c/o switch	T**	4 pole c/o switch	F**	<table border="1"> <thead> <tr> <th>Finish</th> <th>Code</th> </tr> </thead> <tbody> <tr> <td>Red</td> <td>R</td> </tr> <tr> <td>Blue</td> <td>B</td> </tr> <tr> <td>Yellow</td> <td>Y</td> </tr> <tr> <td>Yellow/Black Stripes</td> <td>X</td> </tr> <tr> <td>Special</td> <td>S*</td> </tr> </tbody> </table>		Finish	Code	Red	R	Blue	B	Yellow	Y	Yellow/Black Stripes	X	Special	S*
Model	Code																																																																																										
Breakglass Latching	BGL																																																																																										
Lift Flap Breakglass Latching	LBGL																																																																																										
Push Button Latching key reset	PBL*																																																																																										
Push Button Only	PBM																																																																																										
Momentary Action																																																																																											
Certification	Code																																																																																										
UL Listed	UL																																																																																										
ULC Listed	UC																																																																																										
CSA-Exd	DC																																																																																										
CSA-Exi	IC																																																																																										
Entries	Code																																																																																										
1/2" NPT	3																																																																																										
3/4" NPT	4																																																																																										
Please specify																																																																																											
Top	*T																																																																																										
Bottom	*B																																																																																										
RHS	*R																																																																																										
LHS	*L																																																																																										
Duty Label	Code																																																																																										
Push Button	2																																																																																										
Fire-Push Button	3																																																																																										
ESDO-Abandon	4																																																																																										
FIRE/FEU	5**																																																																																										
Other	0*																																																																																										
Options	Code																																																																																										
Not required	N																																																																																										
LED	A																																																																																										
Series Resistor	G*†																																																																																										
EOL Resistor	H*†																																																																																										
Diode	D*																																																																																										
Addressable Module	M††																																																																																										
3 pole c/o switch	T**																																																																																										
4 pole c/o switch	F**																																																																																										
Finish	Code																																																																																										
Red	R																																																																																										
Blue	B																																																																																										
Yellow	Y																																																																																										
Yellow/Black Stripes	X																																																																																										
Special	S*																																																																																										
<p>* UL and ULC version only available in PBL model.</p>		<table border="1"> <thead> <tr> <th>Material</th> <th>Code</th> </tr> </thead> <tbody> <tr> <td>Stainless Steel</td> <td>S</td> </tr> <tr> <td>Alloy</td> <td>A*</td> </tr> </tbody> </table> <p>* UL &amp; ULC version only available in alloy model.</p>		Material	Code	Stainless Steel	S	Alloy	A*	<p>* Prefix position with size code i.e. 3T 3B = 1/2" NPT Top and Bottom. † Max. 3 entries on ULC versions.</p>		<p>* Please specify ** This option must be used when ordering a red callpoint for ULC Fire Alarm applications.</p>		<p>* Specify values. † d.c. and I.S. units only. †† Not available on ULC version. ** Not available on UL/ULC version.</p>		<p>* Please specify.</p>																																																																											
Material	Code																																																																																										
Stainless Steel	S																																																																																										
Alloy	A*																																																																																										
<p>NOTE: The units can be internally wired to suit customer specifications. Please discuss your requirements with us.</p>						<table border="1"> <thead> <tr> <th>Tag Label</th> <th>Code</th> </tr> </thead> <tbody> <tr> <td>Required</td> <td>Y*</td> </tr> <tr> <td>Not Required</td> <td>N</td> </tr> </tbody> </table> <p>* Please specify wording.</p>		Tag Label	Code	Required	Y*	Not Required	N																																																																														
Tag Label	Code																																																																																										
Required	Y*																																																																																										
Not Required	N																																																																																										