

Explosion-proof, Weatherproof



Features

- UL listed for USA and Canada.
Class I, Div. 1, Groups C & D.
Class I, Zone 1, AExd IIB.
- CSA certified.
- CUL listed.
- ATEX approved.
- Xenon.
- NEMA 4x & 6, IP66 & 67.
- Certified temperature: -67°F to +158°F.
-55°C to +70°C.
- High temperature unit (up to 185°F/85°C) available.
- 4 wire monitored connection.
- 24 & 48V d.c.
- 110, 120, 240 & 254V a.c.
- Various lens colours.
- Optional lens guard.

Introduction

These certified strobes have been designed for use in harsh environmental conditions.

The stainless steel or marine grade alloy enclosures are suitable for use offshore or onshore, where lightweight combined with corrosion resistance and strength is required.

Units can be painted to customer specification and fitted with identification labels.

A high temperature unit is available which is ideal for harsh environments.

European, Russian, Chinese and other worldwide approvals are available, refer to main section of catalogue.



Certification and Specification

Certification:	UL Listed for USA and Canada for Class I, Div. 1. Groups C & D and Class I, Zone 1. Listing No. E187894. CSA Certification to C22.2, Nos. 0, 0.4, 0.5, 9, 30-M 1986, 94-M91, 137-M 1981, Class 1, Div 1, Group 0, Enclosure 3/4, Cert. No. 96406.
Material:	Grade 316 ANC4B stainless steel or LM25 TF Marin Grade Alloy. Lens – Toughened Glass.
Finish:	Epoxy paint finish as standard or to customer specification.
Certified Temp:	Standard unit SM87 HXB: -67°F to +158°F, -55°C to +70°C. High temperature unit: -67°F to +185°F, -55°C to +85°C.
Weight:	Alloy - 4.4lb/2.0kg. approx. stainless steel - 8.4lb/3.8kg
Ingress Protection:	NEMA 4x & 6, IP66 & 67.
Entries:	Up to 4 off 1/2" or 3/4" NPT.
Terminals:	4 off suitable for up to 14AWG conductor size.
Labels:	Duty/Tag labels optional.

Electrical Ratings:

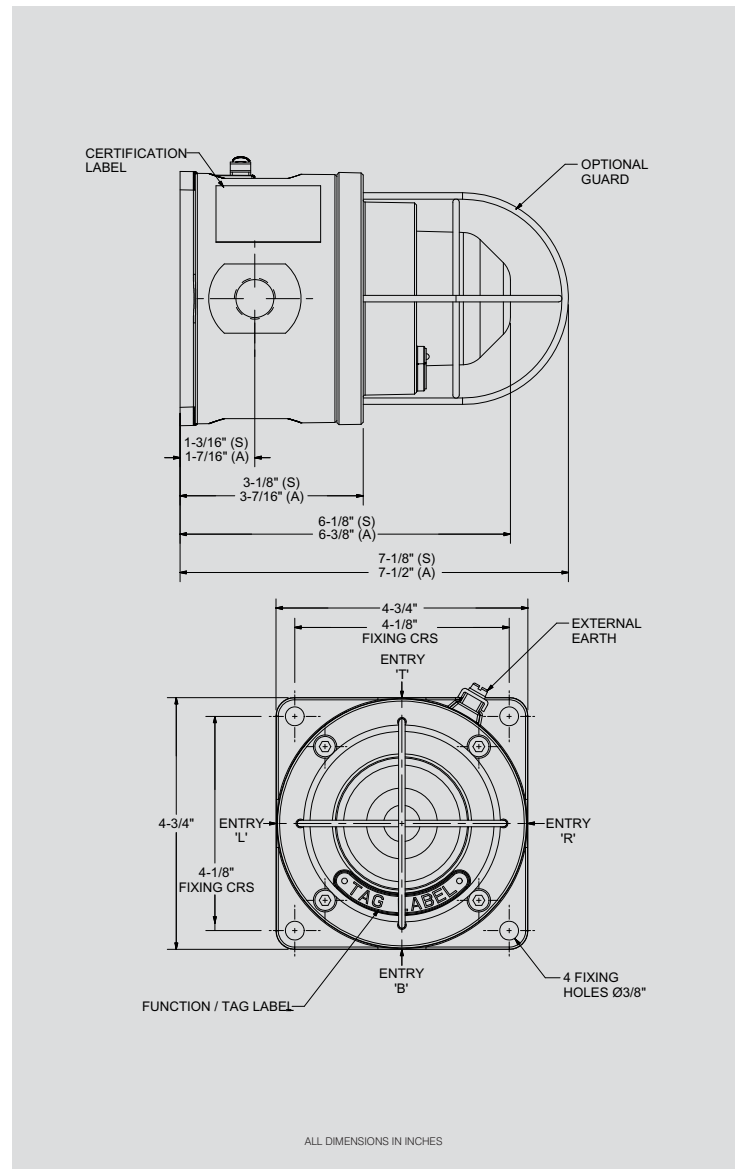
	d.c.		a.c. 50/60Hz			
	24	48	110	120	240	254
Voltage	24	48	110	120	240	254
Tube Energy (Joules)	5	5	6	7	7	8
Peak Current Consumption (mA)	393	175	250	275	135	153
Power Consumption (Watts)	7.2	7.6	25	27	27	35
Effective Intensity (Cd)	29	29	32	39	39	44
Peak Intensity (Cd)	22213	22213	25061	30187	30187	34174

NOTE: The above figures (Cd) are for a clear lens @ 1Hz flash rate.

Multiplying Factor for Coloured Lenses:

Red	Blue	Amber	Green	Yellow
0.15	0.12	0.51	0.49	0.86

The photometric data given above has been verified by BSI. Reports are available if required.



Ordering Requirements

The following code is designed to help in selection of the correct unit. Build up the reference number by inserting the code for each component into the appropriate box.

Model		Certification		Voltage		Lens Colour		Guard		Entries		Tag/Duty		Options		Finish	
Model	Code	Voltage	Code	Lens Colour	Code	Entries	Code	Options	Code	Finish	Code						
Xenon (stainless steel)	SM87HXBS*	24V d.c.	024	Red	R	1/2" NPT	3	None	N	Natural Black	N						
Xenon strobe, alloy	SM87 HXBA†	48V d.c.	048	Blue	B	3/4" NPT	4	Yes	Y*	Red	R						
Xenon strobe, high temperature, alloy	SM87 XBTA†	110V a.c.	110	Green	G	Top	*T			Blue	B						
		120V a.c.	120	Amber	A	Bottom	*B			Yellow	Y						
		240V a.c.	240	Yellow	Y	RHS	*R			Yellow/Black	X						
		254V a.c.	254	Clear	C	LHS	*L			Stripes							
										Gray	G						
										White	W						
										Special	S*						

To order ATEX approved version, see European data sheet.