



Features

- Self extinguishing ABS material.
- 1,5 watt maximum power.
- Self-resetting fuse to keep audio line working in case of short circuit.
- Colour RAL 9010.
- IMCOS-6899-JB Junction Box accessory available for parallel mounting of multiple loudspeakers (not included).

Product Description

IMCOS-6899 is a flush mounted loudspeaker, designed to be fitted in a toilet.

Shallow profile, ideal for tight wall or ceiling spaces.

Type approved by marine class societies: ABS, BV, CCS, DNV, GL, LR, RINA.

IMCOS™ System is type approved by seven marine class societies.



Gitiessse Srl
via Ponte Polcevera 8/14
16161 Genova, Italy
Sales Enq. IT: +39 010 7416801

Hazardous Area Communications (USA)
3413 North Sam Houston Parkway West,
Suite 212, Houston, TX 77086, USA
Sales Enq. USA: +1 (713) 937 9772

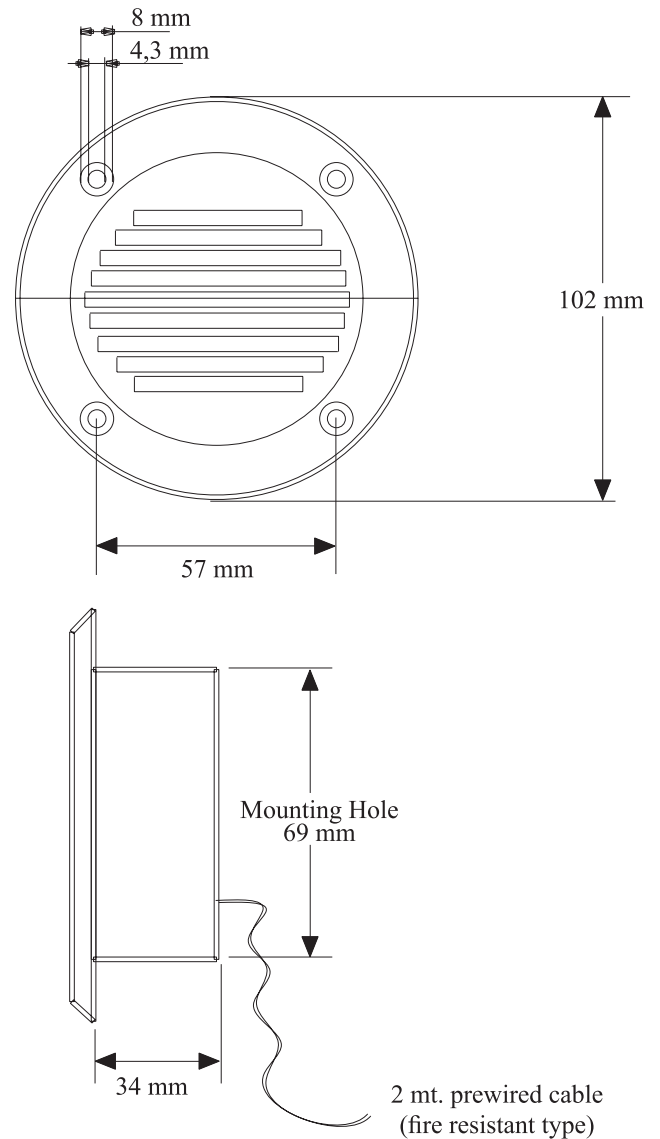
Gitiessse

Web: www.gitiessse.com
E-Mail: gitiessse@gitiessse.com

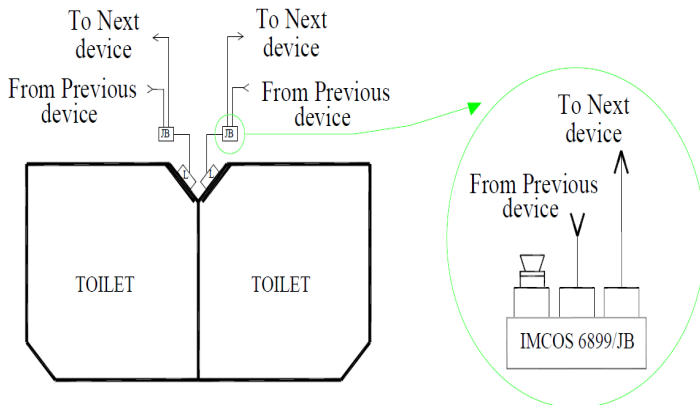
Specification

Material:	Self extinguishing ABS - Colour RAL 9010	
Mounting:	4 screws (flush mounting). IMCOS 6899/JB junction box for multiple loudspeakers parallel mounting not included.	
Terminal:	2 m. prewired cable (fire resistant).	
Ingress Protection:	IP 55.	
Weight:	350 g.	
Power:	1,5 W.	
Max/min temperature:	+90/-25 °C.	
Effective Frequency range:	150-16000 Hz (@-15 dB).	
SPL 1m:	92 dB.	
Impedance:	100 V transformer completed with internal fuse.	
Test Certifications:	Dry heat cycle	EN 60068-2-2
	Damp heat cycle	EN 60068-2-30
	Cold Test	EN 60068-2-1
	Enclosure Protection	EN 60529
	Sinusoidal Vibration	EN 60068-2-6
	Safety	EN 60065-1

IMCOS-6899 Dimensions & Fixing



IMCOS-6899 Installation Details



Ordering Requirements

The following code is designed to help in selection of the correct unit. Build up the reference number by inserting the code for each component into the appropriate box.

Model	Accessories
IMCOS-6899	IMCOS-6899-JB Junction Box