

## Exe, Weatherproof



### Features

- Zones 1,2,21 and safe area.
- Exed IIC T6.
- ATEX approved Ex II 2GD.
- PTB Certified.
- CSA Listed for USA and Canada.†  
Class I, Div 2, Groups A-D.
- IP65/66\*.
- Certified temperature: -20°C to +40°C\*.
- Impact resistant thermoplastic.
- Retained stainless steel cover screws.
- Variety of components.
- Variety of enclosures.

\*Depending on version.

†Please contact MEDC Technical Sales.

### Introduction

This range of control stations, intended for use in potentially explosive atmospheres, is suitable for use in all gas groups.

These rugged enclosures are manufactured from a UV stable, impact resistant polyamide; cover fixing screws are stainless steel thus ensuring a corrosion-free product.

The GHG 411 range comprises a 1,2 and 3 way unit offering a compact footprint. The GHG 432 and 434 ranges are 2 and 4 way units with larger termination area for heavy duty offshore cable.

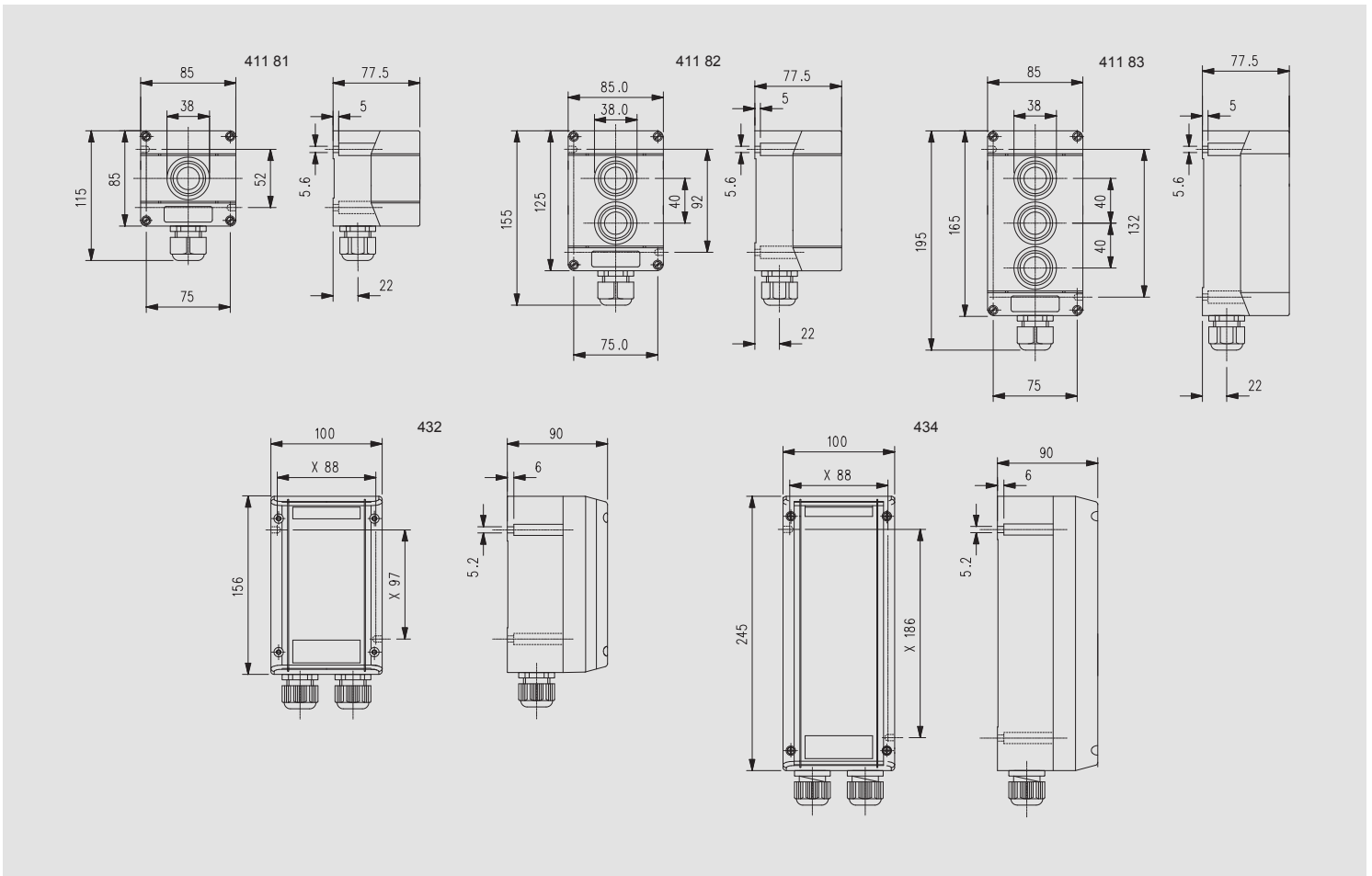
The high ingress protection rating makes this range of control stations suitable for use in harsh environmental conditions.



# Certification and Specification

<b>Certification:</b>	CENELEC EN60079 Certificate No. PTB 00 ATEX 3117. Exed IIC T6. Zones 1 & 2. CSA Listed for USA and Canada. †
<b>Material:</b>	Impact resistant thermoplastic, anti-static enclosure with stainless steel cover screws.
<b>Finish:</b>	Self coloured black.
<b>Signal Lamps:</b>	Available in two voltage ranges: Universal voltage 20V-250V AC/DC (current consumption 4-15mA). Low voltage 12V-30V AC/DC (maximum current consumption 24mA). Lamp colours available: white, yellow, red, blue, green.
<b>Certified Temp:</b>	-55°C to +50°C. Versions with switch -55°C to +45°C. (ATEX version). See separate US data sheet for CSA operating temperatures.
<b>Weight:</b>	From 0.5kg to 1.3kg (411 Range). From 0.8kg to 1.6kg (432 & 434 Range).
<b>Ingress Protection:</b>	IP66 (IP65 for double pushbutton).
<b>Entries:</b>	411 Range. 1 x 20mm entry bottom as standard. 2 x 20mm entries on bottom face available via brass gland continuity plate. 432 & 434 Range. 2 x 20mm entries in bottom as standard (one blanking plug as standard).
<b>Multi-way units:</b>	Enclosures can be coupled together. Please contact sales office.

<b>Actuator Types:</b>	Spring return pushbutton, mushroom head emergency stop, mushroom head momentary, double pushbutton, key operated switches, mini control switch and rotary switches.
<b>Termination:</b>	2.5mm <sup>2</sup> max. direct to components. Alternatively pre-wired to a 6 way terminal block accepting up to 4mm <sup>2</sup> conductors. Max voltage rating 400V.
<b>Relay Initiate:</b>	Available on all versions – operates with 24V d.c. initiate supplies only.
<b>Function Labelling:</b>	Each cover component can have a function label as extra.
<b>Labels:</b>	Duty or tag labels are self adhesive.
<b>Options/accessories:</b>	Lift flap, function label, terminal block, potentiometer, duty/tag labels. Contact sales office to order.



## Typical configurations: 411 81 range

Built-in components	Weight Approx	Order No.*
1 x pushbutton, 1NO + 1NC, label: O, I, START, STOP	0.40kg	GHG 411 8195 R0001
1 x mushroom head latching, 1NO + 1NC, "Emergency stop"	0.45kg	GHG 411 8195 R0002
1 x mushroom head latching, with key release, 1NO + 1NC, "Emergency stop"	0.50kg	GHG 411 8195 R0012
1 x double pushbutton, 1NO + 1 NC, label: O, I, START, STOP	0.45kg	GHG 411 8195 R0009
1 x key operated switch, 2NO I - O - II	0.52kg	GHG 411 8195 R0018
1 x control switch, 1 x change-over, label: HAND-AUTO	0.45kg	GHG 411 8195 R0003
label: O - I	0.45kg	GHG 411 8195 R0004
label: I - II	0.45kg	GHG 411 8195 R0005
1 x control switch, 2 NO, label: HAND - O - AUTO	0.45kg	GHG 411 8195 R0006
label: I - O - II	0.45kg	GHG 411 8195 R0007
label: Local Remote Auto	0.45kg	GHG 411 8195 R0008

\*Note: Ordering codes are for ATEX compliant units only – for CSA listed units contact sales office.



411 81...01



411 81...18



411 81...12



411 81...04

## Typical configurations: 411 82 range

Built-in components	Weight Approx	Order No.*
2 x pushbutton, 1NO + 1NC each, label: O, I, START, STOP	0.54kg	GHG 411 8295 R0001
1 x signal lamp, 20-254V AC/DC, lens cover: white, red, green, yellow	0.65kg	GHG 411 8295 R0003
1 x double pushbutton, 1NO + 1NC, label: O, I, START, STOP		
1 x double pushbutton, 1NO + 1NC, label: O, I, START, STOP	0.57kg	GHG 411 8295 R0016
1 x mushroom head latching, 1NO + 1NC, "Emergency stop"		
1 x control switch, 1 x change-over, label: O - I	0.57kg	GHG 411 8295 R0017
1 x mushroom head latching, 1NO + 1NC, "Emergency stop"		
1 x signal lamp, 20-254V AC/DC, lens cover: white, red, green, yellow	0.65kg	GHG 411 8295 R0008
1 x key operated switch, 2 NO, label: I - O - II		

\*Note: Ordering codes are for ATEX compliant units only – for CSA listed units contact sales office.



411 82...01



411 82...03



411 82...17



411 82...18

## Typical configurations: 411 83 range

Built-in components	Weight Approx	Order No.*
1 x signal lamp, 20-254V AC/DC, lens cover: white, red, green, yellow	0.76kg	GHG 411 8395 R0001
2 x pushbutton, 1NO + 1NC each, label: O, I, START, STOP		
1 x signal lamp, 20-254V AC/DC, lens cover: white, red, green, yellow	0.80kg	GHG 411 8395 R0003
1 x double pushbutton, 1NO + 1NC, label: O, I, START, STOP		
1 x mushroom head latching, 1NO + 1NC, "Emergency stop"		

\*Note: Ordering codes are for ATEX compliant units only – for CSA listed units contact sales office.



411 83...01



411 83...03

## Typical configurations: 432 range

Built-in components	Weight Approx	Order No.*
2 x pushbutton, 1NO + 1NC each, label: O, I, START, STOP	0.85kg	GHG 432 0095 R0001
1 x signal lamp, 20-254V AC/DC, lens cover; white, red, green, yellow 1 x double pushbutton, 1NO + 1NC, label: O, I, START, STOP	0.90kg	GHG 432 0095 R0002
1 x double pushbutton, 1NO + 1NC, label: O, I, START, STOP 1 x mushroom head latching, 1NO + 1NC, "Emergency stop"	0.85kg	GHG 432 0095 R0003

\*Note: Ordering codes are for ATEX compliant units only – for CSA listed units contact sales office.



**432...01**



**432...02**



**432...03**

## Typical configurations: 434 range

Built-in components	Weight Approx	Order No.*
1 x signal lamp, 20-254V AC/DC, lens cover; white, red, green, yellow 2 x pushbutton, 1NO + 1NC each, label: O, I, START, STOP 1 x mushroom head latching, 1NO + 1NC, "Emergency stop"	1.45kg	GHG 434 1195 R0004
2 x signal lamp, 20-254V AC/DC, lens cover; white, red, green, yellow 2 x double pushbutton, 1NO + 1NC each, label: O, I, START, STOP	1.45kg	GHG 434 1195 R0005
1 x signal lamp, 20-254V AC/DC, lens cover; white, red, green, yellow 1 x double pushbutton, 1NO + 1NC, label: O, I, START, STOP 1 x mushroom head latching, 1NO + 1NC, "Emergency stop" 1 x key operated switch, 2NO, label: I - O - II	1.55kg	GHG 434 1195 R0009

\*Note: Ordering codes are for ATEX compliant units only – for CSA listed units contact sales office.



**434...04**



**434...05**



**434...09**

## Ordering Requirements Please contact MEDC to discuss your requirements.