

## YHPTZ41B Series HD IP Camera Stations

PTZ camera for both  
Ex and safe areas



### Overview

Made from 316L stainless steel and designed specifically for use in hazardous area and or harsh environmental conditions, this hard wearing and corrosion resistant Pan, Tilt, Zoom camera station is suitable for a variety of applications both onshore and offshore in Oil & Gas, Marine, Wind, Chemical and many other industries where quality and durability are a pre-requisite.

The continuous 360° pan rotation and tilt from -90° to +90° gives an unrestricted view of the surrounding area.

With ONVIF protocol as standard, a variety of mounting brackets, wiper/washer tank, fiber optic transmission options, and an additional illuminator the YHPTZ41B has the operational capability for most demanding CCTV applications.

### Features

- ATEX & IECEx certified.
- IP66 and IP68.
- 1080p HD IP camera.
- -40°C to +65°C.
- 316L Stainless Steel.
- 360° continuous pan rotation.
- +90° to -90° tilt rotation.
- Multiple scanning mode.
- Automatic Heater.
- Optional IR illuminator.
- Optional fiber optic transmission
- Wiper.



## Certifications

<b>ATEX certificate:</b>	Presafe 19 ATEX 15007X
<b>IECEx certificate:</b>	IECEx PRE 19.0071X
<b>EX mark:</b>	
YHPTZ41B	Ex db op is IIC T6 Gb, Ex tb op is IIIC T80°C Db
YHPTZ41B-1	Ex db IIC T6 Gb, Ex tb IIIC T80°C Db
YHPTZ41B with fiber optic	Ex db op is op pr IIC T6 Gb, Ex tb op is op pr IIIC T80°C Db
YHPTZ41B-1 with fiber optic	Ex db op pr IIC T6 Gb, Ex tb op pr IIIC T80°C Db
<b>Vibration and shock test</b>	IEC60068-2-6, IEC60068-2-27 Class B

## Specifications

<b>Material:</b>	316L Stainless Steel
<b>Finish:</b>	Polished
<b>Operating Temp:</b>	-40°C to +65°C
<b>Atmospheric pressure:</b>	80~110KPa
<b>Humidity:</b>	≤95%RH (+25°C)
<b>Automatic heater:</b>	Activates at -10°C
<b>Ingress protection:</b>	IP66 and IP68(1.2m / 45min)
<b>Weight:</b>	33Kg for YHPTZ41B-1, 40Kg for YHPTZ41B
<b>Ship weight:</b>	51Kg for YHPTZ41B-1, 58Kg for YHPTZ41B with wooden crate package.
<b>Wall bracket load:</b>	100Kg
<b>Voltage:</b>	110VAC to 240VAC (±10%) / 24VAC (±10%) , 50/60Hz
<b>Current:</b>	0.5~1.2A / ≤5A
<b>Power:</b>	≤120W.
<b>Pan:</b>	360° continuous
<b>Pan Speed:</b>	0.1°/S to 45°/S
<b>Tilt:</b>	+90° to -90°
<b>Tilt Speed:</b>	0.1°/S to 40°/S
<b>Presets:</b>	128
<b>Preset accuracy:</b>	≤0.1°
<b>Cable entries:</b>	2 x M25x1.5 with blind plugs
<b>Audio &amp; Alarm connection:</b>	1 for audio input / ouput and 1 for alarm input / output
<b>Transmission:</b>	Standard Ethernet IP / Fiber optic transmission / IP over Coax transmission
<b>VMS compliance:</b>	ONVIF Profile S & Profile T /
<b>Applicable wash system:</b>	Yuhua YHWS wash system. Oxalis XWP10 and HERNIS Exmd110 are also supported when the voltage of YHH30B is 24VAC.

## IR Illuminator Specifications

<b>View Distance:</b>	100m
<b>View Angle:</b>	10°
<b>Wavelength:</b>	850nm
<b>Control:</b>	Auto/Manual

## Fiber Optic

<b>Data Interface:</b>	Ethernet 1310/1550nm
<b>Data Rate:</b>	10/100 Mbps IEEE 802.3 Compliant, Full or Half Duplex Electrical Port / Full Duplex Optical Port
<b>Connector:</b>	ST
<b>Fiber:</b>	Single mode / Multimode
<b>Optical Power Budget:</b>	10 dB
<b>Maximum Distance:</b>	3 km (2 miles)

## Ethernet over Coax

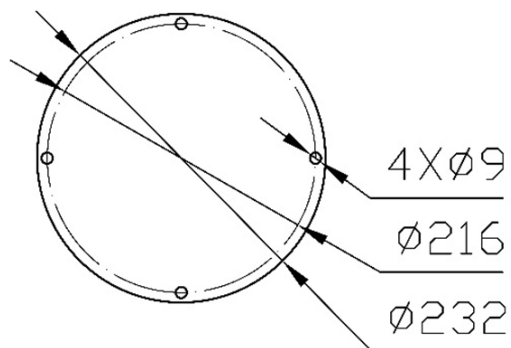
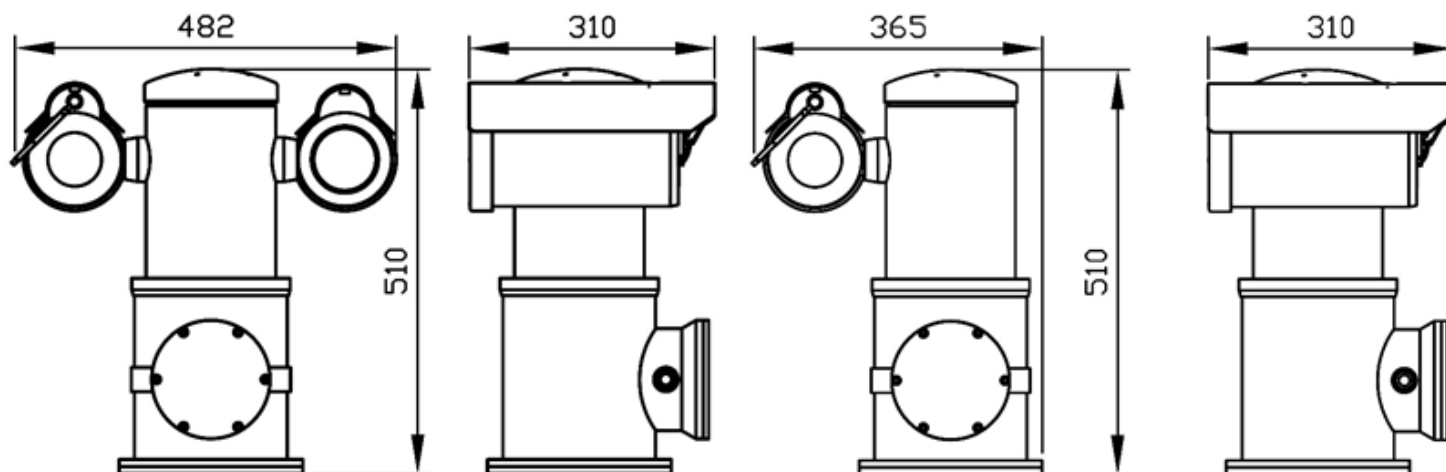
<b>Data Interface:</b>	10/100BaseT(X) Ethernet
<b>Data Rate:</b>	DIP switch selection of 10/100 Mbps Full data rate / full duplex up to the maximum rated distance
<b>RFC:</b>	2544 TCP/IP Packet Transmission
<b>Standards:</b>	IEEE 802.3af PoE (CLRFE1EO(C,U)P/M), RFC: 768 UDP, 2068 HTTP, 793 TCP 791 IP, 1783 TFTP, 894 IP over Ethernet
<b>Transmission Distances:</b>	10M (5,000 ft 1,524 m) 100M (2,000 ft 610 m)

<b>Typical Camera Option</b>	<b>30x zoom 1080p IP camera</b>
<b>Image Sensor</b>	Progressive scan CMOS 1/2.8"
<b>Resolution</b>	1920x1080 30fps
<b>Lens</b>	30x zoom 4.5-135mm F1.6 to F4.4, angle of view 65.1°-2.34°, 12x digital zoom, auto focus, auto Iris
<b>Min. illumination</b>	Colour : 0.05Lux@(F1.6,AGC ON) B/W : 0.01Lux@(F1.6,AGC ON)
<b>Streaming</b>	Dual streams in H.265 / H.264 and motion JPEG, VBR/CBR
<b>Features</b>	BLC, AGS, AWB, WDR, DNR, OSD, day & night auto/colour/BW (IR-Cut filter removeable)
<b>Standards protocols</b>	ONVIF,PSIA, CGI-TCP/IP, HTTP,DHCP, DNS, DDNS, RTP, RTSP, PPPoE, SMTP, NTP, UPnP, SNMP, FTP, 802.1x, QoS, HTTPS, IPv6

**General arrangement drawing (all dimensions in mm)**

YHPTZ41B

YHPTZ41B-1



# Ordering requirements

The following code is designed to help in selection of the correct unit. Build up the reference number by the code for each selection. Any special requirement please consult Eaton technical sales department.

