

SF26 HD IP series

Fixed camera station



Overview

The Oxalis SF26 is a fixed camera housing for use in onshore, offshore, marine and heavy industrial environments.

The camera housings are designed for longevity in harsh environments with minimal maintenance.

Features

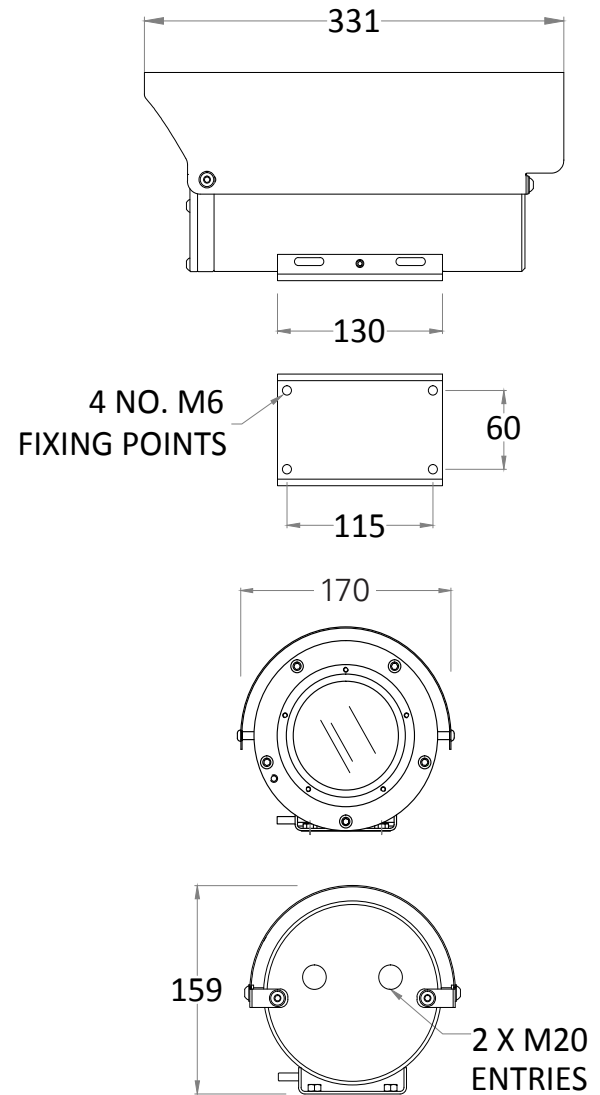
- Electro-polished 316L stainless steel on all welded assemblies
- Pole or wall mounting options (see separate datasheets)
- Supply voltage options 24 VAC
- Operating temperature -60°C to +70°C*
- IP66/67 (IP68)

*Model dependent

Specifications

Features	
Sun shield	Standard stainless steel 316L mirror finish
Integral wiper	No wiper
Integral demister	Standard
Washer systems	No washer
IP over coax	Optional integrated IP Ethernet-over-coax converter subject to configuration restrictions (must be used with compatible Rx equipment)
Type approval	DNVGL-CG-0339, 2016 (copper transmission only)
Ingress protection rating	IP66/67, IP68 (1.5m for 24 hours)
Electrical	
Supply voltage options	24 VAC
Power consumption	18W Maximum (45W with low temperature operation)
Electrical connections	Terminal block for power, data and video specific to camera configuration
Cable entry	Two M20 entries located in housing rear side
Mechanical	
Body material	Electro-polished 316L stainless steel on all welded assemblies
Fixings material	A4 stainless steel
Camera station window	Toughened glass
Mounting options	Pole or wall (see separate datasheets)
Operating temperature	From -60°C to +70°C (model dependent)
Weight (Kg)	Up to 8 Kg depending on configuration
Camera options	
30x zoom 1080p network camera	
Image sensor	1/2.8" Exmor CMOS
Resolution	1920x1080 @60fps to 352x240
Lens	30x zoom 4.3-129 mm F1.6 to F4.7, horizontal angle of view 67.7° - 2.3°, 12X digital zoom, auto focus, auto Iris
Min. illumination	Colour ICR-Off: 0.35 Lux(1/30 Sec, 50IRE)0.05 Lux (1/4 sec, 1/3 sec, 50IRE). B/W ICR-On: 0.013 lx (1/30 sec, 50IRE) 0.002 lx (1/4 sec, 1/3 sec, 30IRE)
Streaming	Primary: H.264, secondary x3: H.264/MJPEG, VBR/CBR
Features	AGC, AE, AWB, TDN, DNR, BLC, ACCE, DSS, WDR, EIS, defog, OSD
Standards protocols	ONVIF Profile S, PSIA - IPv4/6, TCP, UDP, HTTP, HTTPS, IGMP(Multicast), DHCP, FTP, RTP RTSP, SNMP, SMTP, UPnP, DDNS, WS-Discovery, zero configuration
20x zoom 1080p network camera	
Image sensor	Progressive scan CMOS 1/2.8"
Resolution	1920x1080 30fps
Lens	20x zoom 4.7-94mm F1.6 to F3.5, angle of view 61.4° - 2.9°, 10X digital zoom, auto focus, auto Iris
Min. illumination	Color: 0.05Lux @ (F1.6, AGC ON) B/W: 0.01Lux @ (F1.6, AGC ON)
Streaming	Dual streams in H.264 and motion JPEG, VBR/CBR
Features	BLC, AGC, AWB, WDR, DNR, OSD, day & night auto/colour / BW (IR-Cut filter removable)
Standards protocols	ONVIF, PSIA, CGI -TCP/IP, HTTP, DHCP, DNS, DDNS, RTP, RTSP, PPPoE, SMTP, NTP, UPnP, SNMP, FTP, 802.1x, QoS, HTTPS, IPv6
32x SNZ-6320 HD IP camera	
Image sensor	Progressive scan CMOS 1/2.8"
Resolution	Resolution: 1920x1080 @60fps to 320x180
Lens	32x optical 16x digital zoom 4.44-142.6 mm F1.6 to F4.4, horizontal angle of view 62.8° - 2.23°
Min. illumination	Colour : 0.3Lux (1/30sec, F1.6, 50IRE), B/W : 0.03Lux (1/30sec, F1.6, 50IRE)
Streaming	H.264, MJPEG dual codec, multiple streaming, VBR/CBR
Features	Intelligent video analytics, motion detection, day & night (ICR), WDR (120dB), auto focus, auto Iris, AGC, SSSDR, ATW, SSNRIII, BLC, DIS, Defog
Standards protocols	ONVIF Profile S, TCP/IP, UDP/IP, RTP(UDP), RTP(TCP), RTCP, RTSP, NTP, HTTP, HTTPS, SSL, DHCP, FTP, SMTP, ICMP, IGMP, SNMPv1/v2c/v3(MIB-2), ARP, DNS, DDNS, QoS, PIM-SM, UPnP, Bonjour
30x zoom 2.1MP network camera	
Image Sensor	Progressive scan CMOS 1/2.8"
Resolution	1920x1080 30fps
Lens	30x zoom 4.3-129mm F1.6 to F5.05, Angle of View 65.1° - 2.34°, 10X digital zoom, Auto Focus, Auto Iris
Min. Illumination	Color: 0.05Lux @ (F1.6, AGC ON) B/W: 0.01Lux @ (F1.6, AGC ON)
Streaming	Dual streams in H.264 and Motion JPEG, VBR/CBR
Features	BLC, AGC, AWB, WDR, DNR, OSD, Day & Night Auto/Colour / BW (IR-Cut Filter Removable)
Standards Protocols	ONVIF, PSIA, CGI -TCP/IP, HTTP, DHCP, DNS, DDNS, RTP, RTSP, SMTP, NTP, UPnP, SNMP, FTP, 802.1x, QoS, HTTPS, IPv6

General arrangement drawing (all dimensions in mm)



Ordering requirements

The following code is designed to help in selection of the correct unit. Build up the reference number by inserting the code for each component into the appropriate box

