

SD71 indoor dome HD IP series

Safe area PTZ dome
camera station



Overview

Eaton's indoor series are highly advanced process and surveillance camera stations that are designed to meet world wide demanding environments.

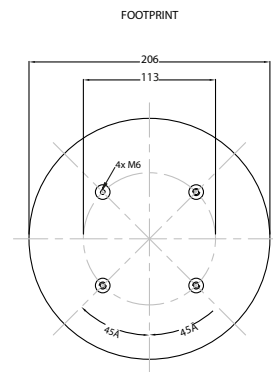
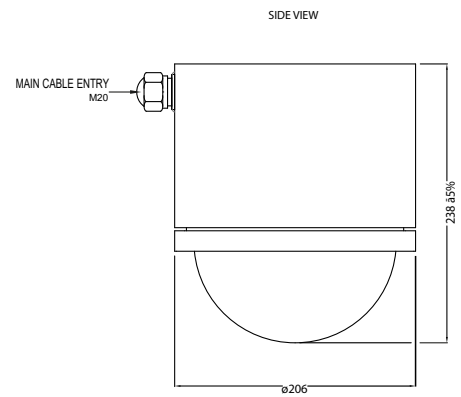
Features

- Full HD resolution
- Fire pot
- Automatic image flip
- Automatic day/night function
- Internal cabling
- Audio (optional)
- Flexible powering (PoE, 30 VAC, 24 VDC)
- Scratch resistant hard coating
- Multi-cable accommodated
- Auto focus with manual override
- Auto iris with manual override
- Built-in heating
- IR sensitive
- Designed to accept future software upgrades remotely

Certifications

Weight	3.1kg
Dimensions	221 x 241mmØ (with cupola)
Mounting	190mmØ
Material & finish	Steel housing made for fire resistant ceilings Polycarbonate dome cupola with decorative ring made of plastic
Operating conditions camera	
IP protection rate	IP50
Operating temperature range	-0°C to +50°C
Camera	
Image sensor	1/2.8" Progressive Scan CMOS
Sync system	Internal
Frame rate	50 Hz: 25 fps (1920 × 1080), 25 fps (1280 × 720) 60 Hz: 30 fps (1920 × 1080), 30 fps (1280 × 720)
Min. illumination	Color: 0.05Lux @(F1.6, AGC ON) B/W: 0.01Lux @(F1.6, AGC ON)
S/N ratio / WDR	>50 dB / WDR
Lens	
Focal length	4.7 - 94mm, 20 x optical
Aperture range	F1.6 - F3.5
Angle of view	61.4 - 2.9° (wide - tele)
Min. working distance	10mm-1500mm (wide - tele)
Zoom speed	Approx. 2.7s (optical, wide - tele)
Day & night	IR cut filter auto switch
Attributes	
Power supply	30VAC (+10% -30%, 50/60Hz) / 24VDC (+/-10%) / PoE (IEEE802.3at) Camera works on 30VAC or 24VDC without any adjustments or settings PoE operation need a dip switch setting on RX272 card
Power consumption	30VAC: 10W min. (15W max. PTZ on) (20W max. heater on) 24VDC: 10W min. (15W max. PTZ on) (20W max. heater on) PoE at: 10W min. (15W max. PTZ on) (20W max. heater on)
Heat dissipation	Min. 10W (max. 20W PTZ on)
Rotating angle / variable speed	Pan: continuous 360°/speed 1.8°/sec. - 110°/sec Tilt: 180°/ speed 1.8°/sec. - 110°/sec
Preset / home position	100 preset + 4 home positions, accuracy ≤ 0.1°
Electrical data	IP connection: minimum CAT6 AWG 23 for PoE
Specifications	
Protocol	IPv4/IPv6, TCP/IP, HTTP, DHCP, DNS, DDNS, RTP, RTSP, PPPoE, SMTP, NTP, UPnP, SNMP, FTP, 802.1x, QoS, HTTPS, IPv6 (SIP, SRTP optional)
Compression	Main stream: H.264 Sub stream: H.264, MJPEG
H.264 compression profile	Main profile, High profile
Dual-streaming	Supported
Video bit rate	256 Kbps - 13 Mbps
Ethernet port	Spring terminal, 10M/100M Ethernet interface
Electrical data	CAT6 Cable AWG23

General arrangement drawing (all dimensions in mm)



Ordering requirements

The following code is designed to help in selection of the correct unit. Build up the reference number by inserting the code for each component into the appropriate box

SD71													
------	--	--	--	--	--	--	--	--	--	--	--	--	--

Housing type
Visual camera housing

Code
V

Transmission type
Standard electrical
IP no cable tail

Code
0

Wiper options
No wiper

Code
N

Temperature type
0°C to +50°C

Code
2

Video type
HD IP system

Code
I

Day/night module
20x zoom 1080p network camera

Code
H

Certification
No Ex certification required

Code
L

Protocol requirements
Pelco D protocol, baud rate 2400bps

Code
D

Thermal core module
No thermal core

Code
N

Thermal core lens
No thermal imaging lens

Code
N

Video system
IP

Code
I

Camera rotation
Continuous rotation

Code
1

Supply voltage
24 VAC/DC
POE

Code
1
2