

# SF40 TI IP series

## Fixed camera station



## Overview

The Oxalis SF40 is a fixed camera housing for use in onshore, offshore, marine and heavy industrial environments.

The camera housings are designed for longevity in harsh environments with minimal maintenance.

This datasheet covers the thermal imaging configurations.

## Features

- Electro-polished 316L stainless steel on all welded assemblies
- Temperature alarm option
- Compatible with Oxalis SW washer tanks (see separate datasheets)
- Pole or wall mounting options (see separate datasheets)
- Supply voltage options 24 VAC 50/60Hz
- Operating temperature -60°C to +70°C\*
- IP66/67

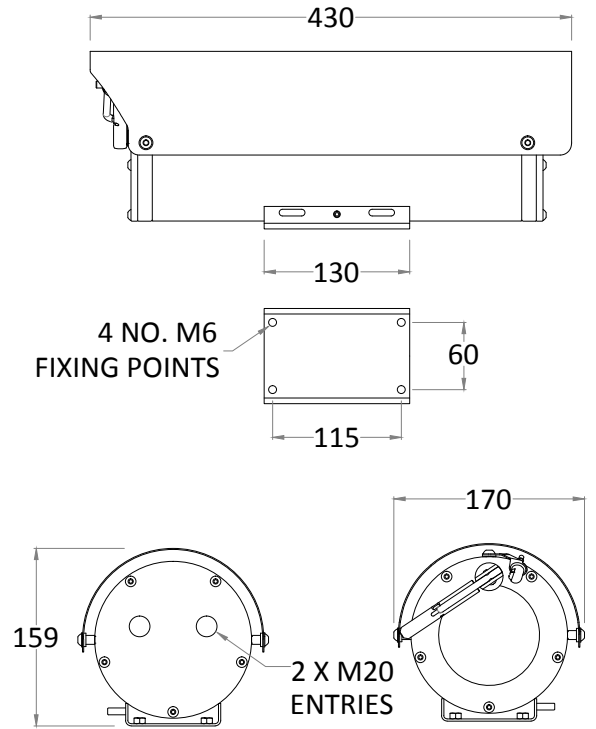
\*Model dependent

## Specifications

Features	
<b>Sun shield</b>	Standard stainless steel 316L mirror finish
<b>Integral wiper</b>	Optional (silicone wiper blades that are resistant and do not perish after long exposure to ozone, UV, ice, snow, heat or cold)
<b>Integral demister</b>	Standard
<b>Washer systems</b>	Compatible with Oxalis SW washer tanks (see separate datasheets)
<b>Telemetry receiver</b>	Integral
<b>IP direct fibre out</b>	Optional media converter, simplex singlemode 9/125µm or multimode 50/125µm, 10/100Mb ethernet, IEEE 802.3
<b>IP over coax</b>	Optional integrated IP ethernet-over-coax converter (must be used with compatible Rx equipment)
<b>Ingress protection rating</b>	IP66/67
<b>Type approval</b>	DNVGL-CG-0339, 2016 (copper transmission only)
Electrical	
<b>Supply voltage options</b>	24 VAC, 50/60Hz
<b>Power consumption</b>	37W maximum
<b>Electrical connections</b>	Terminal block for power, RJ45 for network
<b>Cable entry</b>	Two M20 entries located in housing rear flange
Mechanical	
<b>Body material</b>	Electro-polished 316L stainless steel on all welded assemblies
<b>Fixings material</b>	A4 stainless steel
<b>Camera station window</b>	Internal AR and external carbon coated germanium Ø50 mm
<b>Mounting options</b>	Pole or wall (see separate datasheets)
<b>Operating temperature</b>	From -60° C to +70° C (model dependent)
<b>Weight (Kg)</b>	Up to 9Kg depending on configuration
Thermal camera options	
<b>T320 7.5-8.3Hz</b>	Uncooled VOx microbolometer thermal imaging camera, including TCI Interface PCB for functionality over standard RS485 protocol Commands. 324 x 256 resolution, 25µm pixel size, 7.5Hz NTSC/8.3Hz PAL exportable frame rate, digital detail enhancement

Q1942-BARE 8.3fps		Q1942-BARE-35 8.3fps	
<b>Image sensor</b>	Uncooled Micro bolometer 640x480, pixel size: 17 µm Spectral range: 8-14 µm upto 8.3fps	<b>Image sensor</b>	Uncooled Micro bolometer 640x480, pixel size: 17 µm Spectral range: 8-14 µm upto 8.3fps
<b>Lens</b>	Athermalized, 19 mm, F1.23, Horizontal field of view: 32°	<b>Lens</b>	Athermalized, 35 mm, F1.2, Horizontal field of view: 17°
<b>Streaming</b>	H.264 (MPEG-4 Part 10/AVC) Baseline, and Main profiles, Motion JPEG. Three H.264 and Motion JPEG streams, Controllable frame rate and bandwidth VBR/CBR H.264	<b>Streaming</b>	H.264 (MPEG-4 Part 10/AVC) Baseline, and Main profiles, Motion JPEG. Three H.264 and Motion JPEG streams, Controllable frame rate and bandwidth VBR/CBR H.264
<b>Features</b>	Compression, mirroring of images, rotation, multiple palettes, brightness, sharpness, contrast, electronic image stabilization, automatic gain control, exposure zone, max gain, text and image overlay, privacy mask. Analytics - video motion detection, shock detection	<b>Features</b>	Compression, mirroring of images, rotation, multiple palettes, brightness, sharpness, contrast, electronic image stabilization, automatic gain control, exposure zone, max gain, text and image overlay, privacy mask. Analytics - video motion detection, shock detection
<b>Standard protocols</b>	IPv4/v6, HTTP, HTTPSa, SSL/TLSa, QoS Layer 3 DiffServ, FTP, CIFS/SMB, SMTP, Bonjour, UPnP/DM, SNMP v1/v2c/v3 (MIB-II), DNS, DynDNS, NTP, RTSP, RTP, TCP, UDP, IGMP, RTCP, ICMP, DHCP, ARP, SOCKS, SSH, ONVIF Profile S	<b>Standard protocols</b>	IPv4/v6, HTTP, HTTPSa, SSL/TLSa, QoS Layer 3 DiffServ, FTP, CIFS/SMB, SMTP, Bonjour, UPnP/DM, SNMP v1/v2c/v3 (MIB-II), DNS, DynDNS, NTP, RTSP, RTP, TCP, UDP, IGMP, RTCP, ICMP, DHCP, ARP, SOCKS, SSH, ONVIF Profile S
Q2901-BARE 8.3fps			
<b>Image sensor</b>	Uncooled Micro bolometer 336x256, pixel size: 17 µm Spectral range: 8-14 µm upto 8.3fps		
<b>Lens</b>	Athermalized, 19 mm, F1.23, Horizontal field of view: 17°		
<b>Streaming</b>	H.264 (MPEG-4 Part 10/AVC) Baseline, and Main profiles, Motion JPEG. Three H.264 and Motion JPEG streams, Controllable frame rate and bandwidth VBR/CBR H.264		
<b>Features</b>	Temperature Alarm and isothermal palettes, Spot temperature, sharpness, automatic gain control, exposure zones, max gain, rotation, palette, isothermal palette, compression, mirroring, text and image overlay, privacy masks Analytics - video motion detection, shock detection		
<b>Standard protocols</b>	IPv4/v6, HTTP, HTTPSa, SSL/TLSa, QoS Layer 3 DiffServ, FTP, CIFS/SMB, SMTP, Bonjour, UPnP/DM, SNMP v1/v2c/v3 (MIB-II), DNS, DynDNS, NTP, RTSP, RTP, TCP, UDP, IGMP, RTCP, ICMP, DHCP, ARP, SOCKS, SSH, ONVIF Profile S		
<b>Thermography</b>	Object temperature range -40 °C to 550 °C (-40 °F to 1022 °F) Temperature alarm zones triggering alarms based on deviation of the temperature		

## General arrangement drawing (all dimensions in mm)



# Ordering requirements

The following code is designed to help in selection of the correct unit. Build up the reference number by inserting the code for each component into the appropriate box

SF40														
------	--	--	--	--	--	--	--	--	--	--	--	--	--	--

<b>Housing type</b>	<b>Code</b>
Thermal imaging housing with 50mm germanium window	H

<b>Wiper options</b>	<b>Code</b>
Integral wiper switched 24VAC for external washer pump	E
No wiper	N

<b>Video type</b>	<b>Code</b>
IP	I

<b>Day/night module</b>	<b>Code</b>
No D/N camera fitted	N

<b>Thermal core module</b>	<b>Code</b>
Q1942-BARE 8.3fps	5
Q2901-BARE 8.3fps T-ALARM	6
Q1942-BARE-35 8.3fps	7

<b>Thermal core lens</b>	<b>Code</b>
19mm lens	1
35mm lens (Q1942 ONLY)	3

<b>Video system</b>	<b>Code</b>
IP	I

<b>Transmission type</b>	<b>Code</b>
Standard electrical	0
Simplex singlemode 9/125µm ethernet	3
Simplex multimode 50/125µm ethernet	4
IP over coax	5

<b>Temperature type</b>	<b>Code</b>
-20°C to +70°C	A
-40°C to +70°C	B
-60°C to +40°C	3

<b>Certification</b>	<b>Code</b>
No Ex certification required	N

<b>Protocol requirements</b>	<b>Code</b>
Pelco D protocol, baud rate 2400bps	D
HERNIS™ protocol	H
Special - price on application	S

<b>Camera rotation</b>	<b>Code</b>
Not applicable	N

<b>Supply voltage</b>	<b>Code</b>
24 VAC ±10% 50/60 Hz	1
Special - price on application	S