

XP40 TI IP series

Explosion proof, PTZ
camera station



Overview

The Oxalis XP40 is an explosion protected PTZ camera station for use in hazardous areas in onshore, offshore, marine and heavy industrial environments.

The camera stations are designed for longevity in harsh environments with minimal maintenance.

Features

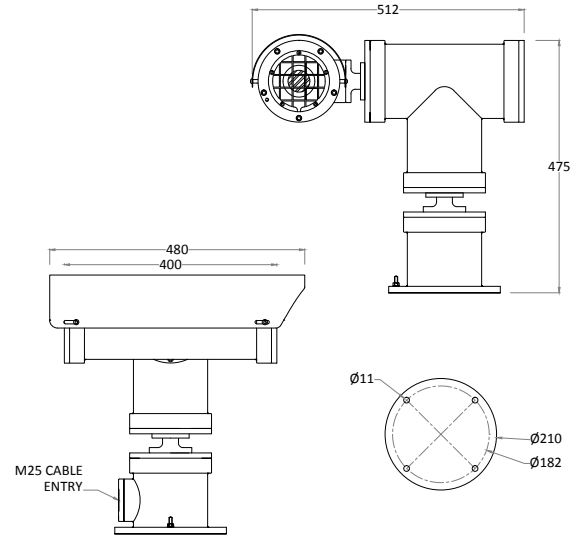
- ATEX, IECEx, Class 1 Division 1 and Zone 1 certified
- Temperature alarm option
- Electro-polished 316L stainless steel on all welded assemblies
- Supply voltage options (24 VAC, 110 or 230 VAC, 50/60Hz)
- Pole or wall mounting options (see separate datasheets)
- Operating temperature from -60°C to +70°C*
- IP66/67



Certifications

ATEX	II 2 G Ex db (op pr) IIC T4 Gb -60°C to +70°C II 2 D Ex tb (op pr) IIIC T140°C Db IP6x On Request: T5 -60°C to +65°C, T6 -60°C to +40°C On request: T135 -60°C to +65°C Certificate: ITS16ATEX101021X	cLC CSA	Ex d IIC T4 (T5 On Request) LC1311396 -60°C ≤Ta ≤ +60°C. CAN CSA-C22.2 No.60079-0:2011 & 60079-1-2012 Certificate: 11396-1S-CSA
IECEx	Ex db (op pr) IIC T4 Gb -60°C to +70°C Ex tb (op pr) IIIC T140°C Db IP6x On Request: T5 -60°C to +65°C, T6 -60°C to +40°C On request: T135 -60°C to +65°C Certificate: IECEx ITS 15.0068X	TR CU EAC	1 Ex db (op pr) IIC T4 Gb -60°C to +70°C Ex tb (op pr) IIIC T140°C Db IP6x On Request: T5 -60°C to +65°C, T6 -60°C to +40°C On request: T135 -60°C to +65°C Certificate: TCRUCGB.TE04.B00587
INMETRO	Ex db (op pr) IIC T4 Gb -60°C to +70°C Ex tb (op pr) IIIC T140°C Db IP6x On Request: T5 -60°C to +65°C, T6 -60°C to +40°C On request: T135 -60°C to +65°C Certificate: ULBR 170063X	CCOE	Ex db (op pr) IIC T4 Gb -60°C to +70°C Ex tb (op pr) IIIC T140°C Db IP6x On Request: T5 -60°C to +65°C, T6 -60°C to +40°C On request: T135 -60°C to +65°C Certificate: P400546/1
LCus CI/ZI	Class 1 Zone 1 A Ex d IIC T4 (T5 On Request) LC13A11396 Gb -60°C ≤Ta ≤ +60°C. UL 60079-0:2009 & 60079-1:2010 Certificate: 11396-1S-UL	CNEX	Ex db (op pr) IIC T4 Gb -60°C to +70°C Ex tb (op pr) IIIC T140°C Db IP6x On Request: T5 -60°C to +65°C, T6 -60°C to +40°C On request: T135 -60°C to +65°C Certificate: 17.1235X
LCus C1/D1	Class I, Division 1, Groups B, C, D, -60°C ≤Ta ≤ 60°C T4 Class II, Division 1, Groups E, F, G IP67 CSA-C22.2 No.30-M1986 No.25-1966(R2009) CSA-C22.2 No.60065-03(R2012) & UL1203,UL60065(ED.7) Certificate: 11671-1S (Gas) / 11677-1S (Dust)	CERTEX	Ex db (op pr) IIC T4 Gb -60°C to +70°C Ex tb (op pr) IIIC T140°C Db IP6x On Request: T5 -60°C to +65°C, T6 -60°C to +40°C On request: T135 -60°C to +65°C Certificate: S-XLP/170244X

General arrangement drawing (all dimensions in mm)



Specifications

Certification part number P&T 2420-01, Housing options 1410-10-TI-50

Features	Electrical
Sun shield Standard stainless steel 316L mirror finish	Supply voltage options 24 VAC, 110 or 230 VAC, 50/60Hz
Integral demister Standard	Power consumption 85W maximum (143W with low temperature operation)
Pan speed (maximum) 45° per second	Electrical connections Terminal block for power, RJ45 for network
Tilt speed (maximum) 24° per second	Cable entry Single M25 entry located in base
Pre-set positional accuracy 64 presets: positional accuracy ±0.1°	Mechanical
Telemetry receiver Integral	Body material Electro-polished 316L stainless steel on all welded assemblies
Rotation Continuous pan or 350° rotation (+/- 175° from straight ahead)	Fixings material A4 stainless steel
IP direct fibre out Optional media converter, simplex singlemode 9/125µm or multimode 50/125µm, 10/100Mb ethernet, IEEE 802.3	Camera station window Internal AR and external carbon coated germanium 50Ø with protective grill
IP over coax Optional integrated IP ethernet-over-coax converter (must be used with compatible Rx equipment)	Mounting options Pole or wall (see separate datasheets)
Ingress protection rating IP66/67	Operating temperature From -60°C to +70°C (model dependent)
Type approval DNVGLCG-0339, 2016 (copper transmission only)	Weight (Kg) Up to 53 Kg depending on configuration
Thermal camera options	
Q1942-BARE 8.3fps	Q1942-BARE-35 8.3fps
Image sensor Uncooled Micro bolometer 640x480, pixel size: 17 µm Spectral range: 8-14 µm upto 8.3fps	Image sensor Uncooled Micro bolometer 640x480, pixel size: 17 µm Spectral range: 8-14 µm upto 8.3fps
Lens Athermalized, 19 mm, F1.23, Horizontal field of view: 32°	Lens Athermalized, 35 mm, F1.2, Horizontal field of view: 17°
Streaming H.264 (MPEG-4 Part 10/AVC) Baseline, and Main profiles, Motion JPEG. Three H.264 and Motion JPEG streams, Controllable frame rate and bandwidth VBR/CBR H.264	Streaming H.264 (MPEG-4 Part 10/AVC) Baseline, and Main profiles, Motion JPEG. Three H.264 and Motion JPEG streams, Controllable frame rate and bandwidth VBR/CBR H.264
Features Compression, mirroring of images, rotation, multiple palettes, brightness, sharpness, contrast, electronic image stabilization, automatic gain control, exposure zone, max gain, text and image overlay, privacy mask. Analytics - video motion detection, shock detection	Features Compression, mirroring of images, rotation, multiple palettes, brightness, sharpness, contrast, electronic image stabilization, automatic gain control, exposure zone, max gain, text and image overlay, privacy mask. Analytics - video motion detection, shock detection
Standard protocols IPv4/v6, HTTP, HTTPS, SSL/TLS, QoS Layer 3 DiffServ, FTP, CIFS/SMB, SMTP, Bonjour, UPnP, SNMP v1/v2c/v3 (MIB-II), DNS, DynDNS, NTP, RTSP, RTP, TCP, UDP, IGMP, RTCP, ICMP, DHCP, ARP, SOCKS, SSH, ONVIF Profile S	Standard protocols IPv4/v6, HTTP, HTTPS, SSL/TLS, QoS Layer 3 DiffServ, FTP, CIFS/SMB, SMTP, Bonjour, UPnP, SNMP v1/v2c/v3 (MIB-II), DNS, DynDNS, NTP, RTSP, RTP, TCP, UDP, IGMP, RTCP, ICMP, DHCP, ARP, SOCKS, SSH, ONVIF Profile S
Q2901-BARE 8.3fps	
Image sensor Uncooled Micro bolometer 336x256, pixel size: 17 µm Spectral range: 8-14 µm upto 8.3fps	
Lens Athermalized, 19 mm, F1.23, Horizontal field of view: 17°	
Streaming H.264 (MPEG-4 Part 10/AVC) Baseline, and Main profiles, Motion JPEG. Three H.264 and Motion JPEG streams, Controllable frame rate and bandwidth VBR/CBR H.264	
Features Temperature Alarm and isothermal palettes, Spot temperature, sharpness, automatic gain control, exposure zones, max gain, rotation, palette, isothermal palette, compression, mirroring, text and image overlay, privacy masks analytics - video motion detection, shock detection	
Standard protocols IPv4/v6, HTTP, HTTPS, SSL/TLS, QoS Layer 3 DiffServ, FTP, CIFS/SMB, SMTP, Bonjour, UPnP, SNMP v1/v2c/v3 (MIB-II), DNS, DynDNS, NTP, RTSP, RTP, TCP, UDP, IGMP, RTCP, ICMP, DHCP, ARP, SOCKS, SSH, ONVIF Profile S	
Thermography Object temperature range -40 °C to 550 °C (-40 °F to 1022 °F) Temperature alarm zones triggering alarms based on deviation of the temperature	

Ordering requirements

The following code is designed to help in selection of the correct unit. Build up the reference number by inserting the code for each component into the appropriate box

XP40

Housing type	Code
Thermal imaging housing with 50mm germanium window	T

Wiper options	Code
No wiper	N

Video type	Code
IP	I

Day/night module	Code
No D/N camera fitted	N

Thermal core module	Code
Q1942-BARE 8.3fps	5
Q2901-BARE 8.3fps T-ALARM	6
Q1942-BARE-35 8.3fps	7

Thermal core lens	Code
19mm lens	1
35mm lens (Q1942 ONLY)	3

Video system	Code
IP	I

Supply voltage	Code
24 VAC ±10% 50/60 Hz	1
110 VAC ±10% 50/60 Hz	2
230 VAC ±10% 50/60 Hz	3
Special - price on application	S

Camera rotation	Code
Continuous rotation	1
Pan rotation restricted to +/- 175°	2

Transmission type	Code
Standard electrical	0
Simplex singlemode 9/125µm ethernet	3
Simplex multimode 50/125µm ethernet	4
IP over coax	5

Temperature type	Code
T4, -20°C to +70°C*	A
T4, -40°C to +70°C*	B
T4, -20°C to +60°C	1
T4, -40°C to +60°C	2
T4, -60°C to +40°C	3
T5, -20°C to +65°C*	C
T5, -40°C to +65°C*	D
T5, -20°C to +60°C*	4
T5, -40°C to +60°C*	5
T5, -60°C to +40°C*	6
T6, -20°C to +40°C*	7
T6, -40°C to +40°C*	8
T6, -60°C to +40°C*	9

*Subject to configuration restrictions

Certification	Code
ATEX	A
IECEX	I
INMETRO	M
LCus C1, Z1	U
cLCus C1, D1	Z
cLC CSA	C
TR CU EAC	R
CCOE	D
CNEX	X
CERTEX	T

Protocol requirements	Code
Pelco D protocol, baud rate 2400bps	D
HERNIS™ protocol	H
Special - price on application	S