

SF26 day/night analogue series

Fixed camera station



Overview

The Oxalis SF26 is a fixed camera housing for use in onshore, offshore, marine and heavy industrial environments.

The camera housings are designed for longevity in harsh environments with minimal maintenance.

Features

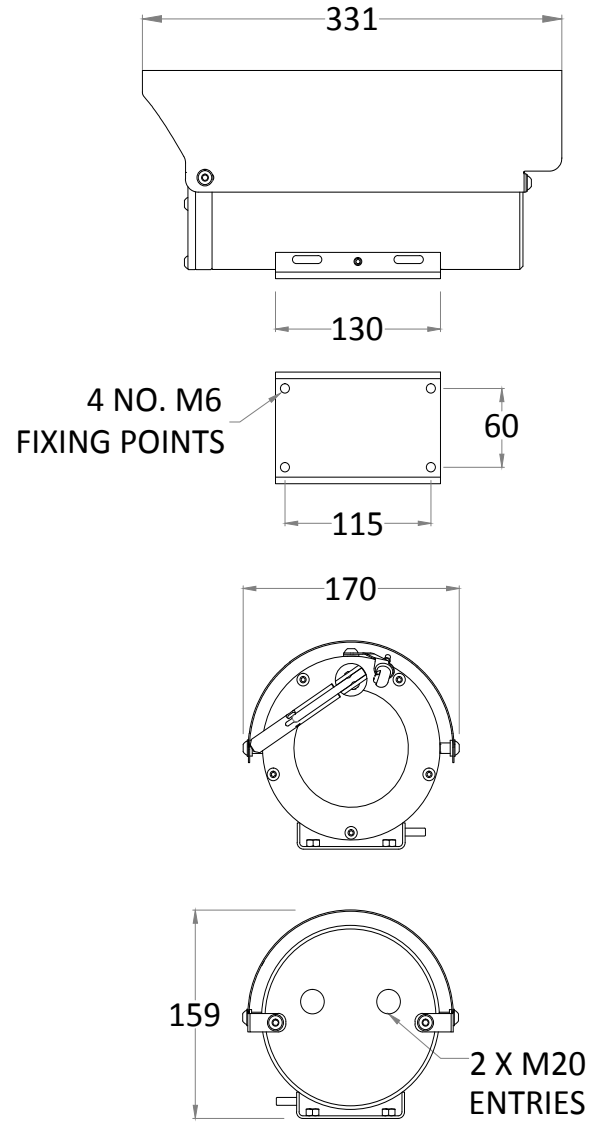
- Electro-polished 316L stainless steel on all welded assemblies
- Camera station window in toughened glass
- Pole or wall mounting options (see separate datasheets)
- Supply voltage options (24 VAC, 50/60Hz)
- Operating temperature from -60°C to -70°C*
- IP66/67

*Model dependent

Specifications

Features	
Sun shield	Standard stainless steel 316L mirror finish
Integral wiper	Optional (silicone wiper blades that are resistant and do not perish after long exposure to ozone, UV, ice, snow, heat or cold)
Integral demister	Standard
Washer systems	Compatible with Oxalis SW washer tanks (see separate datasheets)
Telemetry receiver	Integral - Pelco D, P standard protocols (others to specification)
Ingress protection rating	IP66/67
Type approval	DNVGL-CG-0339, 2016 (copper transmission only)
Electrical	
Supply voltage options	24 VAC, 50/60Hz
Power consumption	17W maximum (45W with low temperature operation)
Electrical connections	Terminal block for power, data and video specific to camera configuration
Cable entry	Two M20 entries located in housing rear side
Mechanical	
Body material	Electro-polished 316L stainless steel on all welded assemblies
Fixings material	A4 stainless steel
Camera station window	Toughened glass
Mounting options	Pole or wall (see separate datasheets)
Operating temperature	From -60° C to +70° C (model dependent)
Weight (Kg)	Up to 8 Kg depending on configuration
Camera options	
1/4" CCD 36x zoom camera	
Image sensor	1/4" EXview HAD CCD (progressive scan)
Resolution	High resolution mode on: 550 TV lines (default)
Lens	36x zoom 3.4-122.4 mm F1.6 to F4.5, horizontal angle of view 57.8° - 1.7°, 12X digital zoom, auto focus, auto iris
Min. illumination	1/60 s, 1/50 s mode: 1.4 Lux, 1/4 s, 1/3 s mode: 0.1 Lux, 1/4 s, 1/3 s mode & ICR On: 0.01 Lux
S/N ratio	>50dB
Features	ATW, day & night auto/Colour / BW (IR-Cut filter removable), camera title ON/OFF

General arrangement drawing (all dimensions in mm)



Ordering requirements

The following code is designed to help in selection of the correct unit. Build up the reference number by inserting the code for each component into the appropriate box

SF26														
------	--	--	--	--	--	--	--	--	--	--	--	--	--	--

Housing type Code
Visual camera housing V

Wiper options Code
Integral wiper with switched 24VAC for external washer pump E
No wiper N

Video type Code
Analogue video A

Day/night module Code
1/4" CCD 36x zoom camera 4
Customer specific camera C

Thermal core module Code
No thermal core N

Thermal core lens Code
No thermal imaging lens N

Video system Code
PAL P
NTSC N

Supply voltage Code
24 VAC ±10% 50/60 Hz 1
Special - price on application S

Transmission type Code
Standard electrical 0
Customer specific fibre transmission device C

Temperature type Code
-20°C to +70°C* A
-40°C to +70°C* B
-20°C to +60°C 1
-40°C to +60°C 2
-60°C to +40°C 3

*Subject to configuration restrictions

Certification Code
No Ex certification required N

Protocol requirements Code
Pelco D protocol, baud rate 2400bps D
Pelco P protocol, baud rate 4800bps P
Vicon protocol, baud rate 4800bps V
HERNIS™ protocol H
Coe protocol C
Special - price on application S
No control protocol required N

Camera rotation Code
Not applicable N