

SF40 HD IP series

Fixed camera station



Overview

The Oxalis SF40 is a fixed camera housing for use in onshore, offshore, marine and heavy industrial environments.

The camera housings are designed for longevity in harsh environments with minimal maintenance.

Features

- Electro-polished 316L stainless steel on all welded assemblies
- Pole or Wall mounting options (see separate datasheets)
- Supply Voltage Options (24 VAC, 50/60Hz)
- Operating temperature from -60°C to +70°C*
- IP66/67

*Model dependent

Specifications

Features	
Sun shield	Standard stainless steel 316L mirror finish
Integral wiper	Optional (silicone wiper blades that are resistant and do not perish after long exposure to ozone, UV, ice, snow, heat or cold)
Integral demister	Standard
Washer systems	Compatible with Oxalis SW washer tanks (see separate datasheets)
Telemetry receiver	Integral - Pelco D
IP direct fibre out	Optional media converter, Simplex/Duplex Singlemode 9/125µm or Multimode 50/125µm, 10/100Mb Ethernet, IEEE 802.3
IP over coax	Optional integrated IP ethernet-over-coax converter (must be used with compatible Rx equipment)
Electrical	
Supply voltage options	24 VAC, 50/60Hz
Power consumption	37W Maximum (65W with low temperature operation)
Electrical connections	Terminal block for power, data and video specific to camera configuration
Cable entry	Two M20 entries located in housing rear flange
Mechanical	
Body material	Electro-polished 316L stainless steel on all welded assemblies
Fixings material	A4 stainless steel
Camera station window	Toughened glass
Mounting options	Pole or wall (see separate datasheets)
Operating temperature	From -60° C to +70° C (model dependent)
Weight (Kg)	Up to 9Kg depending on configuration
Type approval	DNVGL-CG-0339, 2016 (copper transmission only)
Ingress protection rating	IP66/67

Camera options

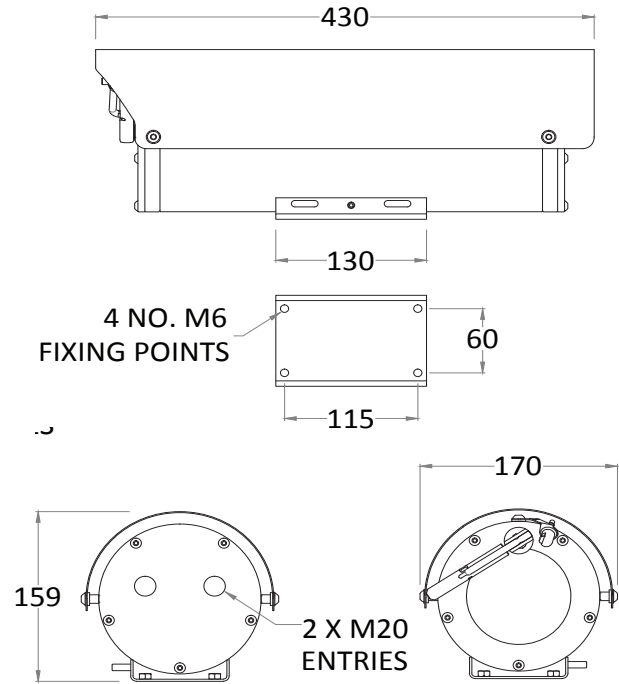
32x XNZ-6320 HD IP camera

Image sensor	Progressive scan CMOS 1/2.8"
Resolution	Resolution: 1920x1080 @60fps to 320x240
Lens	32x optical 32x digital zoom 4.44-142.6 mm F1.6 to F4.4, horizontal angle of view 61.8° - 2.19°
Min. illumination	Colour : 0.05Lux (1/30sec, F1.6), B/W : 0.005Lux (1/30sec, F1.6)
Streaming	H.264, H.265, MJPEG codec, multiple streaming, VBR/CBR
Features	Intelligent video analytics, motion detection, day & night (ICR), WDR (150dB), auto focus, auto Iris, AGC, SSSDR, ATW, SSNR5, BLC, DIS, Defog
Standards protocols	ONVIF Profile S, TCP/IP, UDP/IP, RTP(UDP), RTP(TCP), RTCP, RTSP, NTP, HTTP, HTTPS, SSL, DHCP, PPPoE, FTP, SMTP, ICMP, IGMP, SNMPv1/v2c/v3(MIB-2), ARP, DNS, DDNS, QoS, PIM-SM, UPnP, Bonjour

30x zoom 2.1MP network camera

Image Sensor	Progressive scan CMOS 1/2.8"
Resolution	1920x1080 30fps
Lens	30x zoom 4.3-129mm F1.6 to F5.05, Angle of View 65.1° - 2.34°, 10X digital zoom, Auto Focus, Auto Iris
Min. Illumination	Color: 0.05Lux @ (F1.6, AGC ON) B/W: 0.01Lux @ (F1.6, AGC ON)
Streaming	Dual streams in H.264 and Motion JPEG, VBR/CBR
Features	BLC, AGC, AWB, WDR, DNR, OSD, Day & Night Auto/Colour / BW (IR-Cut Filter Removable)
Standards Protocols	ONVIF, PSIA, CGI - TCP/IP, HTTP, DHCP, DNS, DDNS, RTP, RTSP, SMTP, NTP, UPnP, SNMP, FTP, 802.1x, QoS, HTTPS, IPv6

General arrangement drawing (all dimensions in mm)



Ordering requirements

The following code is designed to help in selection of the correct unit. Build up the reference number by inserting the code for each component into the appropriate box

SF40														
------	--	--	--	--	--	--	--	--	--	--	--	--	--	--

Housing type	Code
Visual camera housing	V

Wiper options	Code
Integral wiper with switched 24VAC for external washer pump	E
No wiper	N

Video type	Code
HD IP system	I

Day/night module	Code
32x zoom HD IP camera	P
30x zoom 2.1MP network camera	M
Customer specific camera	C

Thermal core module	Code
No thermal core	N

Thermal core lens	Code
No thermal imaging lens	N

Video system	Code
IP	I

Supply voltage	Code
24 VAC ±10% 50/60 Hz	1
Special - price on application	S

Camera rotation	Code
Not applicable	N

Protocol requirements	Code
Pelco D protocol, baud rate 2400bps	D

Certification	Code
No Ex certification required	N

Temperature type	Code
-20°C to +70°C*	A
-40°C to +70°C*	B
-20°C to +60°C	1
-40°C to +60°C	2
-60°C to +40°C	3

*Subject to configuration restrictions

Transmission type	Code
Standard electrical	0
Simplex singlemode 9/125µm ethernet	3
Simplex multimode 50/125µm ethernet	4
IP over coax	5
Duplex singlemode 9/125µm	6
Duplex Multimode 50/125µm	7
Customer specific fibre transmission device	C