

SF40 day/night analogue series

Fixed camera station



Overview

The Oxalis SF40 is a fixed camera housing for use in onshore, offshore, marine and heavy industrial environments.

The camera housings are designed for longevity in harsh environments with minimal maintenance.

Features

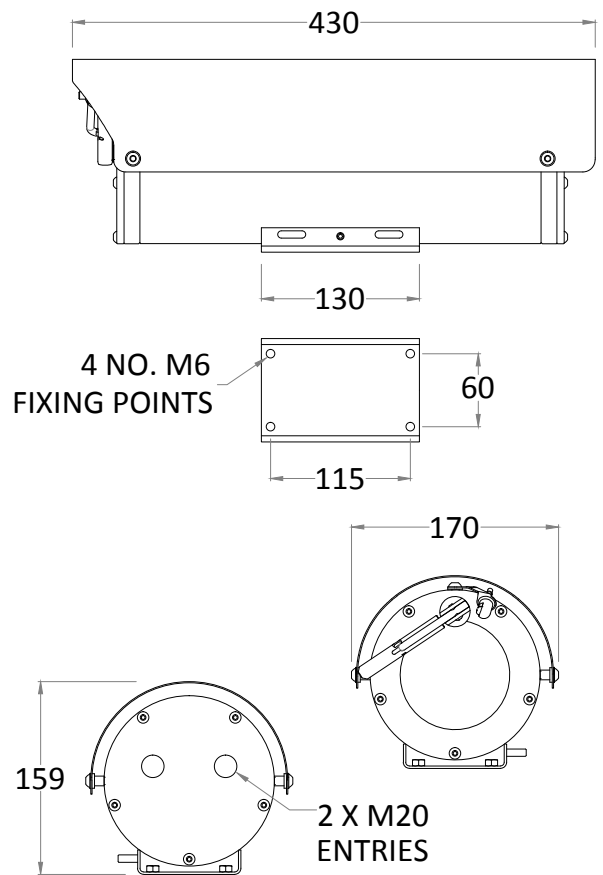
- Electro-polished 316L stainless steel on all welded assemblies
- Pole or wall mounting options (see separate datasheets)
- Supply voltage options (24 VAC, 50/60Hz)
- Operating temperature -60°C to +70°C*
- IP66/67

*Model dependent

Specifications

Features	
Sun shield	Standard stainless steel 316L mirror finish
Integral wiper	Optional (silicone wiper blades that are resistant and do not perish after long exposure to ozone, UV, ice, snow, heat or cold)
Integral demister	Standard
Washer systems	Compatible with Oxalis SW washer tanks (see separate datasheets)
Telemetry receiver	Integral - Pelco D, P standard protocols (others to specification)
Analogue direct fibre out	Optional singlemode 9/125µm or multimode 50/125µm video and data fibre optic transmission, mounted inside the camera station
Ingress protection rating	IP66/67
Type approval	DNVGLCG-0339, 2016 (copper transmission only)
Electrical	
Supply voltage options	24 VAC, 50/60Hz
Power consumption	37W Maximum (65W with low temperature operation)
Electrical connections	Terminal block for power, data and video specific to camera configuration
Cable entry	Two M20 entries located in housing rear flange
Mechanical	
Body material	Electro-polished 316L stainless steel on all welded assemblies
Fixings material	A4 stainless steel
Camera station window	Toughened glass
Mounting options	Pole or wall (see separate datasheets)
Operating temperature	From -60° C to +70° C (model dependent)
Weight (Kg)	Up to 9Kg depending on configuration
Camera options	
1/3" CMOS varifocal camera	
Image sensor	1/3" 1.3m CMOS
Resolution	Upto 1000 TV lines
Lens	1/3" CS-M 5.0 - 50.0 mm F1.3 - 360 aspherical varifocal, DC auto iris
Min. illumination	Colour : 0.03 Lux (50IRE@F1.2), 0.0003 Lux (1sec F1.2 30IRE) B/W 0.003 Lux (50 IRE@F1.2), 0.000003 Lux (1sec F1.2 30IRE)
S/N ratio	>52dB
Features	WDR 120Db, ATW, SSNRIV, HLC, BLC, SSSDR, DIS, defog, day & night auto/colour / BW
1/4" CCD 36x zoom camera	
Image sensor	1/4" EXview HAD CCD (progressive scan)
Resolution	High resolution mode On: 550 TV lines (default)
Lens	36x zoom 3.4-122.4 mm F1.6 to F4.5, horizontal angle of view 57.8° - 1.7°, 12X digital zoom, auto focus, auto Iris
Min. illumination	1/60 s, 1/50 s mode: 1.4 Lux, 1/4 s, 1/3 s mode: 0.1 Lux, 1/4 s, 1/3 s mode& ICR On: 0.01 Lux
S/N ratio	>50dB
Features	ATW, day & night auto/colour / BW (IR-Cut filter removable), camera title ON/OFF

General arrangement drawing (all dimensions in mm)



Ordering requirements

The following code is designed to help in selection of the correct unit. Build up the reference number by inserting the code for each component into the appropriate box

SF40														
------	--	--	--	--	--	--	--	--	--	--	--	--	--	--

Housing type	Code
Visual camera housing	V

Wiper options	Code
Integral wiper with switched 24VAC for external washer pump	E
No wiper	N

Video type	Code
Analogue video	A

Day/night module	Code
1/4" CCD 36x zoom camera	4
1/3" CMOS varifocal camera	E
Customer specific camera	C

Thermal core module	Code
No thermal core	N

Thermal core lens	Code
No thermal imaging lens	N

Video system	Code
PAL	P
NTSC	N

Supply voltage	Code
24 VAC ±10% 50/60 Hz	1
Special - price on application	S

Transmission type	Code
Standard electrical	0
Simplex singlemode 9/125µm video/data	1
Simplex multimode 50/125µm video/data	2
Customer specific transmission device	C

Temperature type	Code
T4, -20°C to +70°C*	A
T4, -40°C to +70°C*	B
T4, -20°C to +60°C	1
T4, -40°C to +60°C	2
T4, -60°C to +40°C	3

*Subject to configuration restrictions

Certification	Code
No Ex certification required	N

Protocol requirements	Code
Pelco D protocol, baud rate 2400bps	D
Pelco P protocol, baud rate 4800bps	P
Vicon protocol, baud rate 4800bps	V
HERNIS™ protocol	H
Coe protocol	C
Special - price on application	S
No control protocol required	N

Camera rotation	Code
Not applicable	N